

ST-314/ST-315 Series PCB Mount 3.5mm Jack Slim Design with Switch

Features



- Audio Applications for Computers and Multimedia
- Can be Used to Activate Speakers, an Equalizer or to Configure the Audio Signal
- Up to One Double-Pole Single-Throw Switch
- Spring Loaded Contacts for High Contact Reliability
- Narrow Body Uses Minimal Board Space
- CSA/NRTL Certified File No. LR78160

Performance Specifications

Materials and Finish

Audio Jack



Housing: PBT Thermoplastic, Black Color, UL94V-0 Rated
Cover: PBT Thermoplastic, UL94V-0 Rated
Bushing: Brass, Nickel Plated
Terminals and Contacts: Phosphor Bronze, Tin Plated
Coil Springs: Spring Steel

Mechanical Characteristics

Insertion Force

0.4kg - 3.0kg

Extraction Force

0.3kg - 3.0kg

Durability

5000 Mating Cycles

AUDIO JACKS

ST-314 / ST-315 Series

Electrical Characteristics

Contact Rating

DC 16V at 0.3 Amps

Contact Resistance

Before Durability Test

To Terminals: 30 Milliohms Max.

To Sleeve: 50 Milliohms Max.

After Durability Test with Mating Plug

To Terminals: 60 Milliohms Max.

To Sleeve: 100 Milliohms Max.

Insulation Resistance

100 Megohms Min. at 500V DC

Dielectric Strength

500V AC for 1 Minute

Temperature Rating

Operating Temperature: -25°C to +80°C

Ordering Information

| | | | |
|---------|---|----------------|---------|
| ST-3140 | - | 3 | N |
| Series | | Number of Pins | Options |

Series

ST-3140 - Crimped Leads, Black Cover

ST-3141 - Crimped Leads, Clear Cover

ST-3150 - Straight Leads, Black Cover

ST-3151 - Straight Leads, Clear Cover

Number of Pins

3 - 3 Pins

5 - 5 Pins

Options

C - Threaded Barrel

N - Non-Threaded Barrel

CM - Threaded Barrel, Mono

NM - Non-Threaded Barrel, Mono

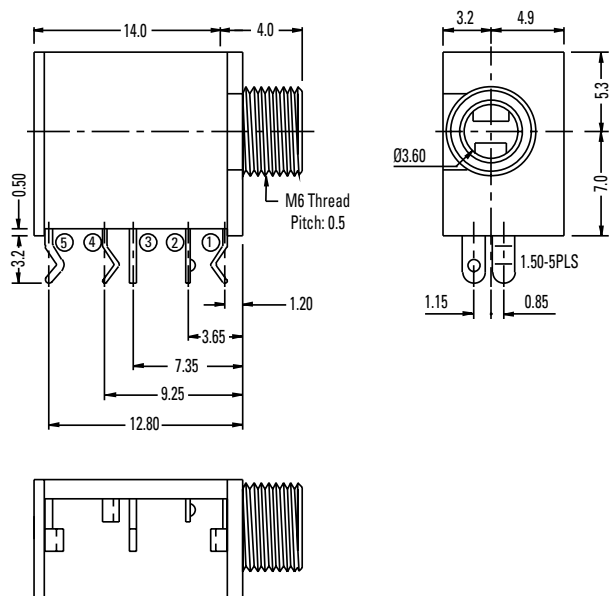
ST-314 and ST-315 Series Dimensions

Dimensions in mm

ST-3140 (Black Side Cover)

ST-3141 (Clear Side Cover)

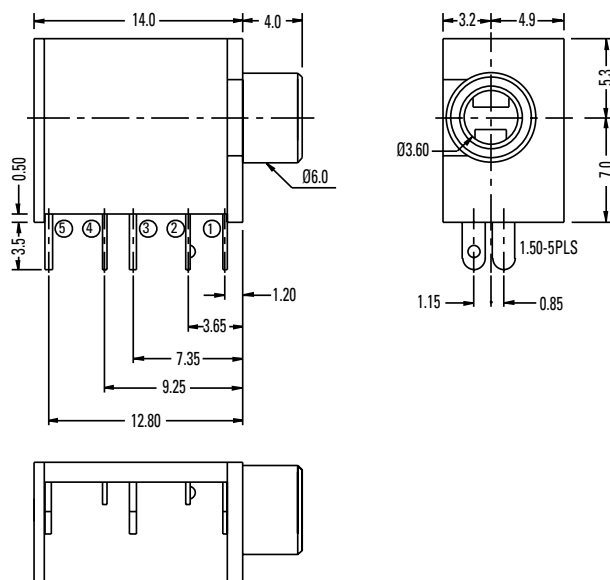
Crimped Leads (shown with Threaded Bushing)



ST-3150 (Black Side Cover)

ST-3151 (Clear Side Cover)

Straight Leads (shown with Non-Threaded Bushing)



AUDIO JACKS

ST-314 / ST-315 Series

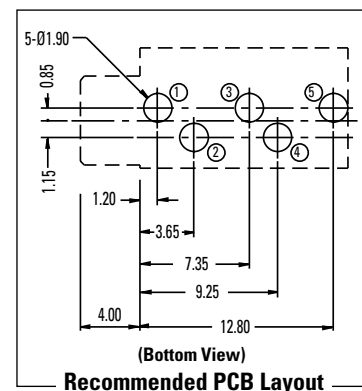
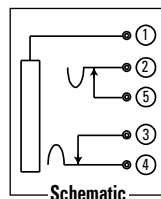
ST-314 and ST-315 Series Dimensions

Dimensions in mm

-5C and -5N Options

5 Pins

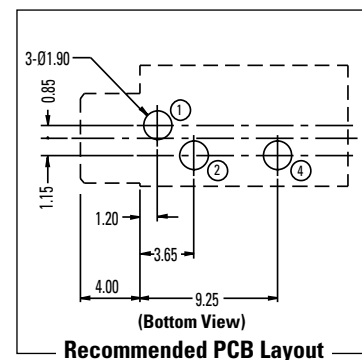
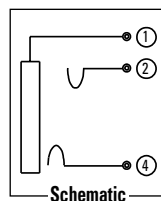
One Double-Pole, Single-Throw Switch



-3C and -3N Options

3 Pins

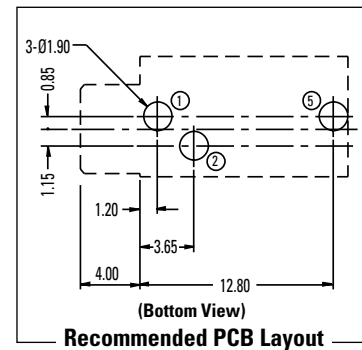
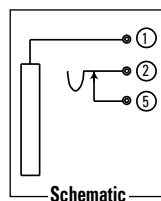
Audio Jack



-3CM and -3NM Options

3 Pins, Mono

One Single-Pole, Single-Throw Switch



X-ON Electronics

Largest Supplier of Electrical and Electronic Components

Click to view similar products for [Phone Connectors](#) category:

Click to view products by [Kycon](#) manufacturer:

Other Similar products are found below :

[M444B](#) [6J1041A](#) [R4F](#) [128PKG](#) [RJ3VI](#) [RJ3VI-S](#) [RJ5VI](#) [E12BPKG](#) [ECP4PKG](#) [161-3300N-EX](#) [161-3502L-E](#) [161-7900HS-EX](#) [163-157J-E](#)
[MT333X](#) [171-0350-EX](#) [171-105AC-EX](#) [171-3325-EX](#) [171-6435-EX](#) [176S](#) [NC3MG-V](#) [NMJ4HFD2-NW](#) [NP2RX-AU-SILENT-D](#) [NP2X-L-](#)
[D](#) [NRJ4HH-1](#) [NS112BX](#) [NYS228G](#) [NYS352AG](#) [P10834](#) [P2380](#) [P2381X](#) [P2411X](#) [P2412](#) [P2724](#) [9144](#) [S2674](#) [163-156N-2-E](#) [163-158N-2-](#)
[E](#) [171-0250-EX](#) [171-3308-EX](#) [171-3500-E](#) [171-PA3191-2-E](#) [ST-3141-5N](#) [229](#) [2501FT](#) [CMT335](#) [M10662](#) [330Q](#) [RJ5VI-S](#) [40116](#) [TM1R-](#)
[AU](#)