



Audio Jacks: STX-2000 Series

2.5mm Audio Jack

Product Features

Audio Applications for Computers and Multimedia
Through Hole Design
CSA/NRTL Certified File No. LR78160

Performance Specifications

Materials and Finish

Housing

PBT Thermoplastic, Black Color,
UL94V-0 Rated

Terminals

Copper Alloy, Silver plating over Nickel underplate

Mechanical Characteristics

Insertion Force

0.4kg - 2.0kg

Extraction Force

0.3kg - 2.0kg

Durability

5000 Mating Cycles

Electrical Characteristics

Contact Resistance

Before Durability Test

30 milliohms Max.

After Durability Test

60 milliohms Max.

Insulation Resistance

100 Megohms Min.at 250V DC

Dielectric Withstanding Voltage

250V AC for 1 Minute

Operating Temperature

-25°C to +80°C

2D Drawing	IGES	STEP	3D PDF
Solder Profile	CofC RoHS Compliant	CofC REACH Compliant	UL Plastic File
Certificate of Origin	Check Stock	Request a Sample	Send Us An Email

Generated Part Number

Part Number Builder

<input type="text"/>	-	<input type="text"/>	<input type="text"/>
Series		Number of Pins	Threading Option

Series

STX-2000 - 2.5mm Through Hole Audio Jack

Number of Pins

3 Pins

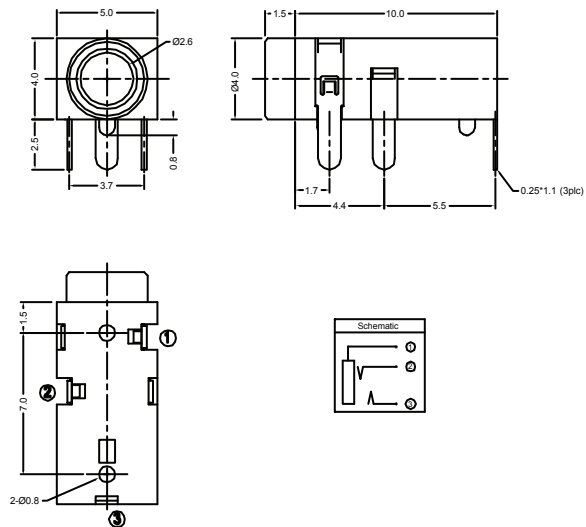
Threading Option

N - Non-Threaded Barrel

Contact Kycon for other options

STX-2000

Dimensions in mm



X-ON Electronics

Largest Supplier of Electrical and Electronic Components

Click to view similar products for [Phone Connectors](#) category:

Click to view products by [Kycon](#) manufacturer:

Other Similar products are found below :

[M444B](#) [6J1041A](#) [R4F](#) [E12BPKG](#) [ECP4PKG](#) [161-3502L-E](#) [MT333X](#) [171-0350-EX](#) [171-101A-EX](#) [171-3325-EX](#) [176S](#) [NC3MG-V](#)
[NYS228G](#) [P10834](#) [P2380](#) [P2381X](#) [P2411X](#) [P2412](#) [P2724](#) [JM2PB-AU BULK](#) [9144](#) [S2674](#) [280L](#) [163-158N-2-E](#) [171-3308-EX](#) [171-3500-E](#)
[2501FT](#) [CMT335](#) [M10662](#) [330Q](#) [RJ5VI-S](#) [40116](#) [TM1R-AU](#) [TM2PBMJ-AU](#) [TM2PJ-AU](#) [TM2PJ-AU BULK](#) [4803.1351](#) [49201](#) [49205](#)
[TS3PBJ-AU](#) [TS3PBMJ-AU](#) [TT32BX](#) [54B](#) [40112](#) [40205](#) [415](#) [XMT332B](#) [52170017-331](#) [570](#) [NM3](#)