

**AUDIO JACKS: STX-25443 Series**  
Surface Mount 2.5mm Audio Jack

**Product Features**

Used in Devices Such as Audio Equipment, Cell Phones, or Digital Still Camera  
Complies with EIA Standards  
CSA/NRTL Certified File No. LR78160

**Performance Specifications**

**Materials and Finish**

**Housing**

High Temperature Thermoplastic, UL 94V-0 Rated

**Terminals**

Copper Alloy, Gold Plated

**Electrical Characteristics**

**Contact Resistance**

**Before Durability Test**

50 milliohms Max.

**After Durability Test**

100 milliohms Max.

**Insulation Resistance**

100 Megohms at 250V DC

**Dielectric Withstanding Voltage**

500V AC RMS for 1 Minute

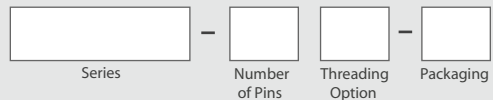
**Operating Temperature**

-25°C to + 70°C

2D Drawing	IGES	STEP	3D PDF
Solder Profile	CofC RoHS Compliant	CofC REACH Compliant	UL Plastic File
Certificate of Origin	Check Stock	Request a Sample	Send Us An Email

Generated Part Number

Part Number Builder



**Series**

STX-25443 - Surface Mount 2.5mm Audio Jack

**Number of Pins**

7 - Pins

**Threading Option**

N - Non-Threaded Barrel

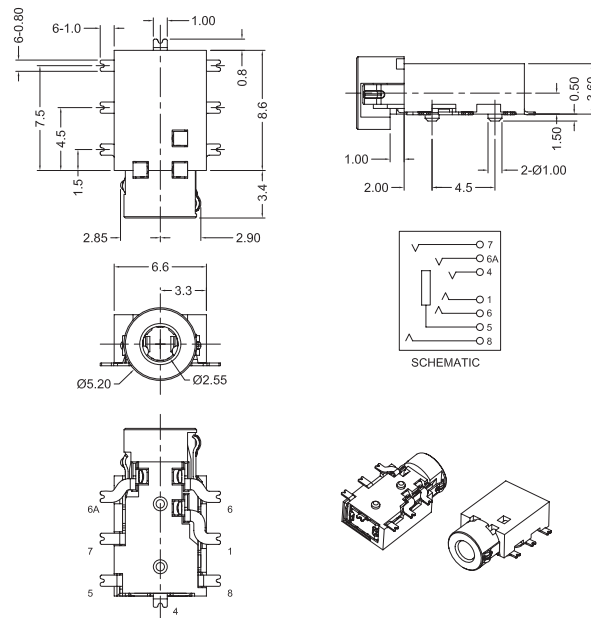
**Packaging**

TR - Tape and Reel

Contact Kycon for other options

**STX-25443**

Dimensions in mm



## X-ON Electronics

Largest Supplier of Electrical and Electronic Components

*Click to view similar products for [Phone Connectors](#) category:*

*Click to view products by [Kycon](#) manufacturer:*

Other Similar products are found below :

[M444B](#) [6J1041A](#) [R4F](#) [E12BPKG](#) [ECP4PKG](#) [161-3502L-E](#) [MT333X](#) [171-0350-EX](#) [171-101A-EX](#) [171-3325-EX](#) [176S](#) [NC3MG-V](#)  
[NYS228G](#) [P10834](#) [P2380](#) [P2381X](#) [P2411X](#) [P2412](#) [P2724](#) [JM2PB-AU BULK](#) [9144](#) [S2674](#) [280L](#) [163-156N-2-E](#) [163-158N-2-E](#) [171-3308-](#)  
[EX](#) [171-3500-E](#) [2501FT](#) [CMT335](#) [M10662](#) [330Q](#) [RJ5VI-S](#) [40116](#) [TM1R-AU](#) [TM2PBMJ-AU](#) [TM2PJ-AU](#) [TM2PJ-AU BULK](#) [4803.1351](#)  
[49201](#) [49205](#) [TS3PBJ-AU](#) [TS3PBMJ-AU](#) [TT32BX](#) [54B](#) [40112](#) [40205](#) [XMT332B](#) [52170017-331](#) [570](#) [NM3](#)