



AUDIO JACKS: STX-3120 Series

3.5mm Audio Jack All Plastic PCB Mount

Product Features

Audio Applications for Computers and Multimedia
 Can Be Used To Activate Speakers, an Equalizer or to
 Configure the Audio Signal
 Available with One Double-Pole Single-Throw Switch
 CSA/NRTL Certified File No. LR78160

Performance Specifications

Materials and Finish

Housing

PBT Thermoplastic 15% Glass Filled, Black Color,
 UL 94V-0 Rated

Terminals

Pin 1, 3, 4: Brass, Matte Tin Plated
 Pin 2, 5: Phosphor Bronze, Matte Tin Plated

Mechanical Characteristics

Insertion Force

0.4kg - 3.0kg

Extraction Force

0.3kg - 3.0kg

Durability

5000 Mating Cycles

Electrical Characteristics

Contact Resistance

Before Durability Test

50 milliohms Max.

After Durability Test

100 milliohms Max.

Insulation Resistance

More than 100 Megohms at 500V DC

Dielectric Withstanding Voltage

500V AC RMS for 1 Minute

Operating Temperature

-25°C to + 85°C

2D Drawing	IGES	STEP	3D PDF
Solder Profile	CofC RoHS Compliant	CofC REACH Compliant	UL Plastic File
Certificate of Origin	Check Stock	Request a Sample	Send Us An Email

Generated Part Number

Part Number Builder

<input type="text"/>	-	<input type="text"/>	<input type="text"/>	<input type="text"/>
Series		Number of Pins	Back Plate Option	PC99 Color Option

Series

STX-3120 - 3.5mm Audio Jack All Plastic PCB Mount

Number of Pins

3 - Pins

5 - Pins

Back Plate Option

B - With Back Plate

PC99 Color Option

Blank - Black (Standard)

157C - Orange

284C - Blue

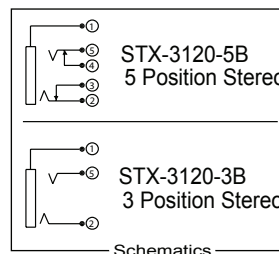
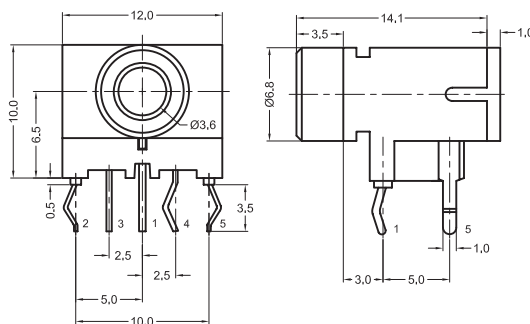
577C - Lime

701C - Pink

Contact Kycon for other options

STX-3120 Series

Dimensions in mm



X-ON Electronics

Largest Supplier of Electrical and Electronic Components

Click to view similar products for [Phone Connectors](#) category:

Click to view products by [Kycon](#) manufacturer:

Other Similar products are found below :

[M444B](#) [6J1041A](#) [R4F](#) [E12BPKG](#) [ECP4PKG](#) [161-3502L-E](#) [MT333X](#) [171-0350-EX](#) [171-101A-EX](#) [171-3325-EX](#) [176S](#) [NC3MG-V](#)
[NYS228G](#) [P10834](#) [P2380](#) [P2381X](#) [P2411X](#) [P2412](#) [P2724](#) [JM2PB-AU BULK](#) [9144](#) [S2674](#) [280L](#) [163-156N-2-E](#) [163-158N-2-E](#) [171-3308-](#)
[EX](#) [171-3500-E](#) [2501FT](#) [CMT335](#) [M10662](#) [330Q](#) [RJ5VI-S](#) [40116](#) [TM1R-AU](#) [TM2PBMJ-AU](#) [TM2PJ-AU](#) [TM2PJ-AU BULK](#) [4803.1351](#)
[49201](#) [49205](#) [TS3PBJ-AU](#) [TS3PBMJ-AU](#) [TT32BX](#) [54B](#) [40112](#) [40205](#) [XMT332B](#) [52170017-331](#) [570](#) [NM3](#)