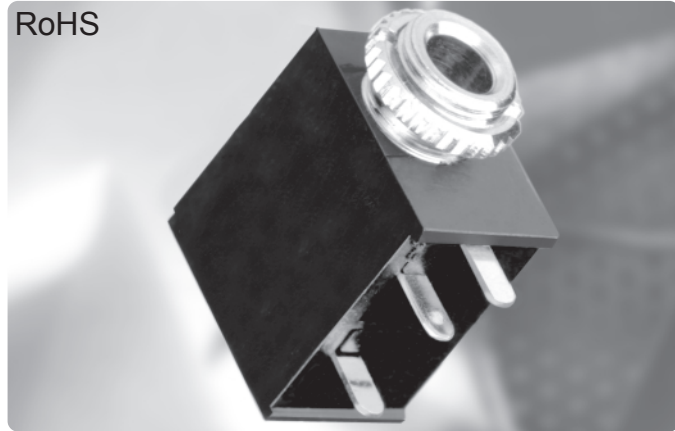


RoHS



## STX-314 Series PCB Mount 3.5mm Jack Slim Design with Switch

### Features



- Audio Applications for Computers and Multimedia
- Can be Used to Activate Speakers, an Equalizer or to Configure the Audio Signal
- Up to One Double-Pole Single-Throw Switch
- Spring Loaded Contacts for High Contact Reliability
- Narrow Body Uses Minimal Board Space
- CSA/NRTL Certified File No. LR78160

### Performance Specifications

#### Materials and Finish

##### Audio Jack

**Housing:** PBT Thermoplastic, Black Color, UL94V-0 Rated

**Cover:** PBT Thermoplastic, UL94V-0 Rated

**Bushing:** Brass, Nickel Plated

**Terminals and Contacts:** Phosphor Bronze, Tin Plated

**Coil Springs:** Spring Steel

#### Mechanical Characteristics

**Insertion Force :** 0.4kg - 3.0kg

**Extraction Force :** 0.3kg - 3.0kg

**Durability** 5000 Mating Cycles

#### Electrical Characteristics

**Contact Rating :** DC 16V at 0.3 Amps

##### Contact Resistance

Before Durability Test

**To Terminals:** 30 Milliohms Max.

**To Sleeve:** 50 Milliohms Max.

After Durability Test with Mating Plug

**To Terminals:** 60 Milliohms Max.

**To Sleeve:** 100 Milliohms Max.

**Insulation Resistance :** 100 Megohms Min. at 500V DC

**Dielectric Strength :** 500V AC RMS for 1 Minute

##### Temperature Rating

**Operating Temperature:** -25°C to + 85°C

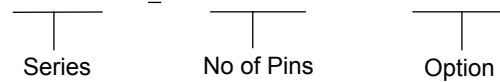
## AUDIO JACKS

### STX-314 Series

#### Documentation & Ordering Information


#### Kycon Part #

#### Part Number Builder



##### Series

STX-3140 - Crimped Leads, Black Cover

STX-3141 - Crimped Leads, Clear Cover

##### Number of Pins

3 Pin

5 Pin (not available with Mono option)

##### Option

C - Threaded Barrel

N - Non-Threaded Barrel

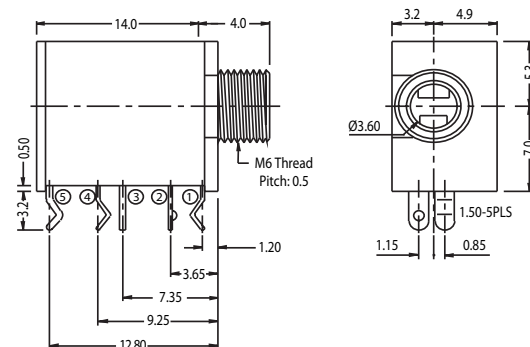
CM - Threaded Barrel, Mono

NM - Non-Threaded Barrel, Mono

#### STX-314

Dimensions in mm

STX-3140 (Black Side Cover) STX-3141 (Clear Side Cover)  
Crimped Leads (shown with Threaded Bushing)



## X-ON Electronics

Largest Supplier of Electrical and Electronic Components

*Click to view similar products for [Phone Connectors](#) category:*

*Click to view products by [Kycon](#) manufacturer:*

Other Similar products are found below :

[M444B](#) [6J1041A](#) [R4F](#) [E12BPKG](#) [ECP4PKG](#) [161-3502L-E](#) [MT333X](#) [171-0350-EX](#) [171-101A-EX](#) [171-3325-EX](#) [176S](#) [NC3MG-V](#)  
[NYS228G](#) [P10834](#) [P2380](#) [P2381X](#) [P2411X](#) [P2412](#) [P2724](#) [JM2PB-AU BULK](#) [9144](#) [S2674](#) [280L](#) [163-156N-2-E](#) [163-158N-2-E](#) [171-3308-EX](#) [171-3500-E](#) [2501FT](#) [CMT335](#) [M10662](#) [330Q](#) [RJ5VI-S](#) [40116](#) [TM1R-AU](#) [TM2PBMJ-AU](#) [TM2PJ-AU](#) [TM2PJ-AU BULK](#) [4803.1351](#)  
[49201](#) [49205](#) [TS3PBJ-AU](#) [TS3PBMJ-AU](#) [TT32BX](#) [54B](#) [40112](#) [40205](#) [XMT332B](#) [52170017-331](#) [570](#) [NM3](#)