

AUDIO JACKS: STX-3151 Series

PCB Mount 3.5mm Jack Slim Design with Switch

Product Features

Audio Applications for Computers and Multimedia
 Can Be Used To Activate Speakers, an Equalizer or to Configure the Audio Signal
 Up to One Double-Pole Single-Throw Switch
 Spring Loaded Contacts for High Contact Reliability
 Narrow Body Uses Minimal Board Space
 CSA/NRTL Certified File No. LR78160

Performance Specifications

Materials and Finish

Housing

PBT Thermoplastic, UL94V-0 Rated, Black Color

Cover

Polycarbonate, UL94V-0 Rated, Clear Color

Bushing

Brass, Nickel Plated

Terminals and Contacts

Pin # 2,4: Phosphor Bronze, Silver Plated

Pin #1,3 and 5: Brass, Silver Plated

Mechanical Characteristics

Insertion Force

0.3kg - 3.0kg

Extraction Force

0.3kg - 3.0kg

Durability

5000 Mating Cycles

Electrical Characteristics

Insulation Resistance

50 Megohms Min. at 100V DC

Contact Resistance

30 milliohms Max.

Dielectric Withstanding Voltage

500V AC RMS for 1 Minute

Operating Temperature

-25°C to + 80°C

2D Drawing	IGES	STEP	3D PDF
Solder Profile	CofC RoHS Compliant	CofC REACH Compliant	UL Plastic File
Certificate of Origin	Check Stock	Request a Sample	Send Us An Email

Generated Part Number

Part Number Builder

-

Series

Number
of Pins

Threading
Option

Series
 STX-3151 - 3.5mm Jack Slim Design with Switch PCB Mount

Number of Pins
 3 - Pins
 5 - Pins

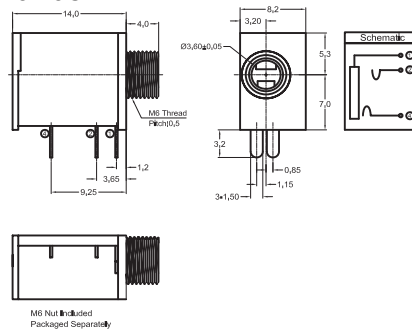
Threading Option
 C - Threaded Barrel
 N - Non-Threaded Barrel

Contact Kycon for other options

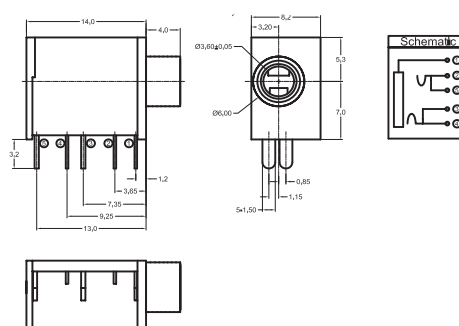
STX-3151 Series

Dimensions in mm

STX-3151-3C



STX-3151-5N



X-ON Electronics

Largest Supplier of Electrical and Electronic Components

Click to view similar products for [Phone Connectors](#) category:

Click to view products by [Kycon](#) manufacturer:

Other Similar products are found below :

[M444B](#) [6J1041A](#) [R4F](#) [E12BPKG](#) [ECP4PKG](#) [161-3502L-E](#) [MT333X](#) [171-0350-EX](#) [171-101A-EX](#) [171-3325-EX](#) [176S](#) [NC3MG-V](#)
[NYS228G](#) [P10834](#) [P2380](#) [P2381X](#) [P2411X](#) [P2412](#) [P2724](#) [JM2PB-AU BULK](#) [9144](#) [S2674](#) [280L](#) [163-156N-2-E](#) [163-158N-2-E](#) [171-3308-](#)
[EX](#) [171-3500-E](#) [2501FT](#) [CMT335](#) [M10662](#) [330Q](#) [RJ5VI-S](#) [40116](#) [TM1R-AU](#) [TM2PBMJ-AU](#) [TM2PJ-AU](#) [TM2PJ-AU BULK](#) [4803.1351](#)
[49201](#) [49205](#) [TS3PBJ-AU](#) [TS3PBMJ-AU](#) [TT32BX](#) [54B](#) [40112](#) [40205](#) [XMT332B](#) [52170017-331](#) [570](#) [NM3](#)