

## AUDIO JACKS: STX-3151 Series

### PCB Mount 3.5mm Jack Slim Design with Switch

#### Product Features

- Audio Applications for Computers and Multimedia
- Can Be Used To Activate Speakers, an Equalizer or to Configure the Audio Signal
- Up to One Double-Pole Single-Throw Switch
- Spring Loaded Contacts for High Contact Reliability
- Narrow Body Uses Minimal Board Space
- CSA/NRTL Certified File No. LR78160

#### Performance Specifications

##### Materials and Finish

##### Housing

PBT Thermoplastic, UL94V-0 Rated, Black Color

##### Cover

Polycarbonate, UL94V-0 Rated, Clear Color

##### Bushing

Brass, Nickel Plated

##### Terminals and Contacts

Pin # 2,4: Phosphor Bronze, Silver Plated

Pin #1,3 and 5: Brass, Silver Plated

#### Mechanical Characteristics

##### Insertion Force

0.3kg - 3.0kg

##### Extraction Force

0.3kg - 3.0kg

##### Durability

5000 Mating Cycles

#### Electrical Characteristics

##### Insulation Resistance

50 Megohms Min. at 100V DC

##### Contact Resistance

30 milliohms Max.

##### Dielectric Withstanding Voltage

500V AC RMS for 1 Minute

##### Operating Temperature

-25°C to + 80°C

2D Drawing	IGES	STEP	3D PDF
Solder Profile	CofC RoHS Compliant	CofC REACH Compliant	UL Plastic File
Certificate of Origin	Check Stock	Request a Sample	Send Us An Email

#### Generated Part Number

#### Part Number Builder

	-		
Series		Number of Pins	Threading Option

#### Series

STX-3151 - 3.5mm Jack Slim Design with Switch PCB Mount

#### Number of Pins

3 - Pins

5 - Pins

#### Threading Option

C - Threaded Barrel

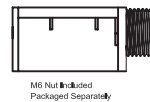
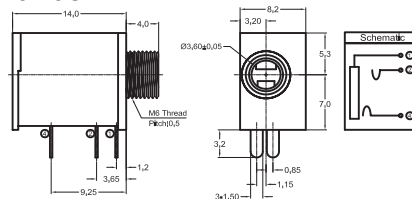
N - Non-Threaded Barrel

Contact Kycon for other options

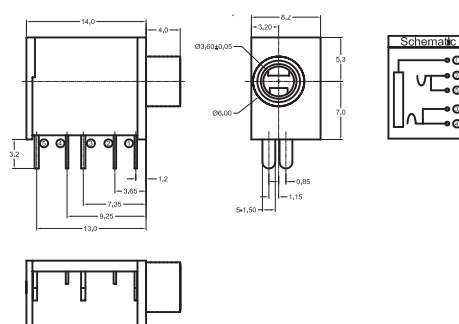
#### STX-3151 Series

Dimensions in mm

##### STX-3151-3C



##### STX-3151-5N



## X-ON Electronics

Largest Supplier of Electrical and Electronic Components

*Click to view similar products for [Phone Connectors](#) category:*

*Click to view products by [Kycon](#) manufacturer:*

Other Similar products are found below :

[M444B](#) [6J1041A](#) [R4F](#) [E12BPKG](#) [ECP4PKG](#) [161-3502L-E](#) [MT333X](#) [171-0350-EX](#) [171-101A-EX](#) [171-3325-EX](#) [176S](#) [NC3MG-V](#)  
[NYS228G](#) [P10834](#) [P2380](#) [P2381X](#) [P2411X](#) [P2412](#) [P2724](#) [JM2PB-AU BULK](#) [9144](#) [S2674](#) [280L](#) [163-156N-2-E](#) [163-158N-2-E](#) [171-3308-](#)  
[EX](#) [171-3500-E](#) [2501FT](#) [CMT335](#) [M10662](#) [330Q](#) [RJ5VI-S](#) [40116](#) [TM1R-AU](#) [TM2PBMJ-AU](#) [TM2PJ-AU](#) [TM2PJ-AU BULK](#) [4803.1351](#)  
[49201](#) [49205](#) [TS3PBJ-AU](#) [TS3PBMJ-AU](#) [TT32BX](#) [54B](#) [40112](#) [40205](#) [415](#) [XMT332B](#) [52170017-331](#) [570](#)