

AUDIO JACKS: STX-3500 Series

Surface Mount 3.5mm Stereo Jack

Product Features

Audio Applications for Computers and Multimedia
 Surface Mount Design
 All Plastic
 CSA/NRTL Certified File No. LR78160

Performance Specifications

Materials and Finish

Housing

High Temperature Thermoplastic, Black Color,
 UL94V-0 Rated

Terminals

Copper Alloy, Silver Plating over Nickel Underplate

Mechanical Characteristics

Insertion Force

3.0kg Max.

Extraction Force

0.2kg Min.

Durability

5000 Mating Cycles

Electrical Characteristics

Contact Resistance

Before Durability Test

50 milliohms Max.

After Durability Test

100 milliohms Max.

Insulation Resistance

100 Megohms Min. at 500V DC

Dielectric Withstanding Voltage

500V AC RMS for 1 Minute

Operating Temperature

-25°C to + 85°C

2D Drawing	IGES	STEP	3D PDF
Solder Profile	CofC RoHS Compliant	CofC REACH Compliant	UL Plastic File
Certificate of Origin	Check Stock	Request a Sample	Send Us An Email

Generated Part Number

Part Number Builder

<input type="text"/>	-	<input type="text"/>	<input type="text"/>	<input type="text"/>
Series		Number of Pins	Threading Option	Packaging Option

Series

STX-3500 - Surface Mount 3.5 Audio Jack

Number of Pins

3 - Pins

4 - Pins

5 - Pins

Threading Option

N - Non-Threaded Barrel

Packaging

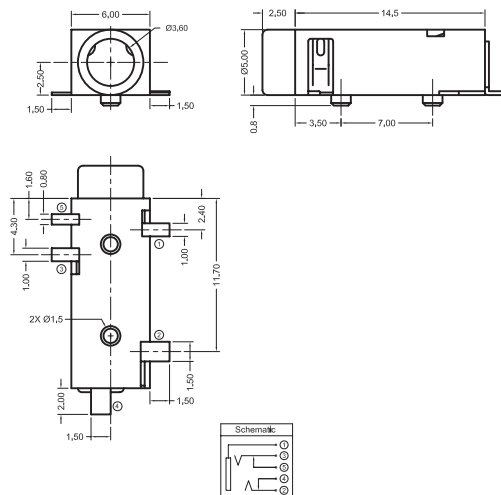
TR - Tape and Reel

Contact Kycon for other options

STX-3500 Series

Dimensions in mm

STX-3500-5N



X-ON Electronics

Largest Supplier of Electrical and Electronic Components

Click to view similar products for [Phone Connectors](#) category:

Click to view products by [Kycon](#) manufacturer:

Other Similar products are found below :

[M444B](#) [6J1041A](#) [R4F](#) [E12BPKG](#) [ECP4PKG](#) [161-3502L-E](#) [MT333X](#) [171-0350-EX](#) [171-101A-EX](#) [171-3325-EX](#) [176S](#) [NC3MG-V](#)
[NYS228G](#) [P10834](#) [P2380](#) [P2381X](#) [P2411X](#) [P2412](#) [P2724](#) [JM2PB-AU BULK](#) [9144](#) [S2674](#) [280L](#) [163-156N-2-E](#) [163-158N-2-E](#) [171-3308-](#)
[EX](#) [171-3500-E](#) [2501FT](#) [CMT335](#) [M10662](#) [330Q](#) [RJ5VI-S](#) [40116](#) [TM1R-AU](#) [TM2PBMJ-AU](#) [TM2PJ-AU](#) [TM2PJ-AU BULK](#) [4803.1351](#)
[49201](#) [49205](#) [TS3PBJ-AU](#) [TS3PBMJ-AU](#) [TT32BX](#) [54B](#) [40112](#) [40205](#) [XMT332B](#) [52170017-331](#) [570](#) [NM3](#)