

AUDIO JACKS: STX-35382 Series
Surface Mount 3.5mm Audio Jack

Product Features

Offered in a 3-Pole Version
Used in Devices Such as Audio Equipment, Cell Phones,
or Digital Still Camera
Complies with EIA Standards
CSA/NRTL Certified File No. LR78160

Performance Specifications

Materials and Finish

Housing

High Temperature Thermoplastic, UL 94V-0 Rated

Terminals

Copper Alloy, Gold Plated

Electrical Characteristics

Contact Resistance

Before Durability Test

50 milliohms Max.

After Durability Test

100 milliohms Max.

Insulation Resistance

100 Megohms Min. at 500V DC

Dielectric Withstanding Voltage

500V AC RMS for 1 Minute

Operating Temperature

-25°C to + 85°C

2D Drawing	IGES	STEP	3D PDF
Solder Profile	CofC RoHS Compliant	CofC REACH Compliant	UL Plastic File
Certificate of Origin	Check Stock	Request a Sample	Send Us An Email

Generated Part Number

Part Number Builder

-
 Series Number of Pins Threading Option Packaging

Series

STX-35382 - Surface Mount 3.5mm Audio Jack

Number of Pins

4 - Pins

Threading Option

N - Non-Threaded Barrel

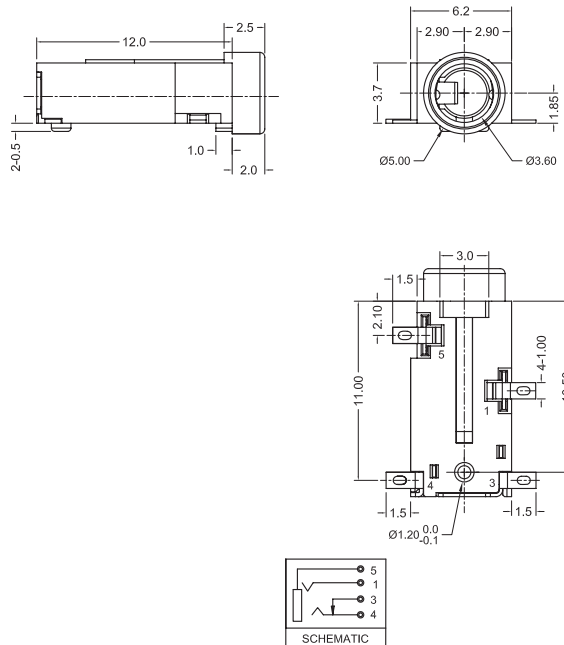
Packaging

TR - Tape and Reel

Contact Kycon for other options

STX-35382

Dimensions in mm



X-ON Electronics

Largest Supplier of Electrical and Electronic Components

Click to view similar products for [Phone Connectors](#) category:

Click to view products by [Kycon](#) manufacturer:

Other Similar products are found below :

[M444B](#) [6J1041A](#) [R4F](#) [E12BPKG](#) [ECP4PKG](#) [161-3502L-E](#) [MT333X](#) [171-0350-EX](#) [171-101A-EX](#) [171-3325-EX](#) [176S](#) [NC3MG-V](#)
[NYS228G](#) [P10834](#) [P2380](#) [P2381X](#) [P2411X](#) [P2412](#) [P2724](#) [JM2PB-AU BULK](#) [9144](#) [S2674](#) [280L](#) [163-156N-2-E](#) [163-158N-2-E](#) [171-3308-](#)
[EX](#) [171-3500-E](#) [2501FT](#) [CMT335](#) [M10662](#) [330Q](#) [RJ5VI-S](#) [40116](#) [TM1R-AU](#) [TM2PBMJ-AU](#) [TM2PJ-AU](#) [TM2PJ-AU BULK](#) [4803.1351](#)
[49201](#) [49205](#) [TS3PBJ-AU](#) [TS3PBMJ-AU](#) [TT32BX](#) [54B](#) [40112](#) [40205](#) [XMT332B](#) [52170017-331](#) [570](#) [NM3](#)