

## AUDIO JACKS: STX-3790 Series

### Vertical Mount 3.5mm Audio Jack

#### Product Features

Meets the Accelerated Market Needs for Higher Performance and Smaller Size Portable Devices. Used in Devices Such as Car Audio and Navigation Equipment, etc.  
Complies with EIA Standards  
CSA/NRTL Certified File No. LR78160

#### Performance Specifications

##### Materials and Finish

##### Housing

Thermoplastic, UL 94V-0 Rated

##### Terminals

Copper Alloy, Tin Plating

#### Electrical Characteristics

##### Contact Resistance

##### Before Durability Test

50 milliohms Max.

##### After Durability Test

100 milliohms Max.

##### Insulation Resistance

100 Megohms Min. at 500V DC

##### Dielectric Strength

500V AC RMS for 1 Minute

##### Operating Temperature

-25°C to + 85°C

2D Drawing	IGES	STEP	3D PDF
Solder Profile	CofC RoHS Compliant	CofC REACH Compliant	UL Plastic File
Certificate of Origin	Check Stock	Request a Sample	Send Us An Email

#### Generated Part Number

#### Part Number Builder

<input type="text"/>	-	<input type="text"/>	<input type="text"/>	<input type="text"/>
Series		Number of Pins	Threading Option	Color Option

#### Series

STX-3790 - Vertical Mount 3.5mm Audio Jack

#### Number of Pins

5 - Pins

#### Threading Option

N - Non-Threaded Barrel

#### PC99 Color Option

Blank - Black

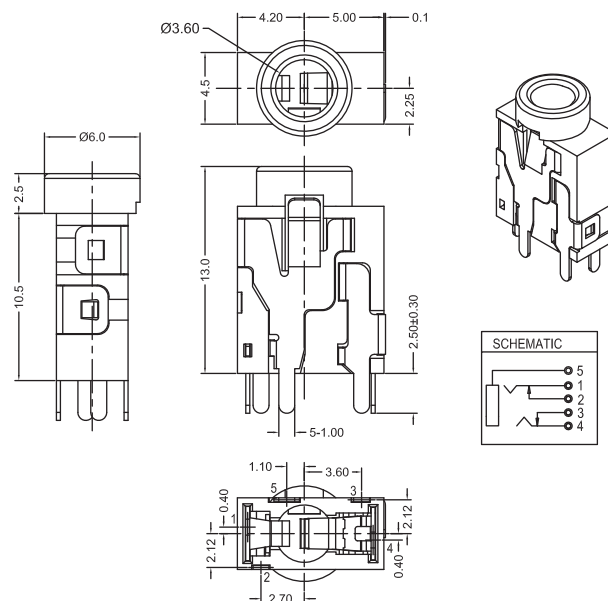
284C - Blue

577C - Green

Contact Kycon for other options

#### STX-3790

Dimensions in mm



## X-ON Electronics

Largest Supplier of Electrical and Electronic Components

*Click to view similar products for [Phone Connectors](#) category:*

*Click to view products by [Kycon](#) manufacturer:*

Other Similar products are found below :

[M444B](#) [6J1041A](#) [R4F](#) [E12BPKG](#) [ECP4PKG](#) [161-3502L-E](#) [MT333X](#) [171-0350-EX](#) [171-101A-EX](#) [171-3325-EX](#) [176S](#) [NC3MG-V](#)  
[NYS228G](#) [P10834](#) [P2380](#) [P2381X](#) [P2411X](#) [P2412](#) [P2724](#) [JM2PB-AU BULK](#) [9144](#) [S2674](#) [280L](#) [163-156N-2-E](#) [163-158N-2-E](#) [171-3308-](#)  
[EX](#) [171-3500-E](#) [2501FT](#) [CMT335](#) [M10662](#) [330Q](#) [RJ5VI-S](#) [40116](#) [TM1R-AU](#) [TM2PBMJ-AU](#) [TM2PJ-AU](#) [TM2PJ-AU BULK](#) [4803.1351](#)  
[49201](#) [49205](#) [TS3PBJ-AU](#) [TS3PBMJ-AU](#) [TT32BX](#) [54B](#) [40112](#) [40205](#) [XMT332B](#) [52170017-331](#) [570](#) [NM3](#)