

AUDIO JACKS: STX-4235 Series
Stacked 3.5mm Audio Jack

Product Features

Audio Applications for Computers and Multimedia
Can Be Used To Activate Speakers, an Equalizer or to
Configure the Audio Signal
Stacked Design Saves on Horizontal Board Space
Multiple Switching Options Available
CSA/NRTL Certified File No. LR78160

Performance Specifications

Materials and Finish

Housing

High Temperature Thermoplastic, 15% Glass Filled,
Black Color, UL94V-2 Rated

Terminals

Copper Alloy, Tin Plating

Mechanical Characteristics

Insertion Force

0.4kg - 3.0kg

Extraction Force

0.4kg - 3.0kg

Durability

5000 Mating Cycles

Electrical Characteristics

Insulation Resistance

100 Megohm Min. at 500V DC

Dielectric Withstanding Voltage

500V AC RMS for 1 Minute

Contract Resistance

Before Durability Test

50 milliohms Max.

After Durability Test

100 milliohms Max.

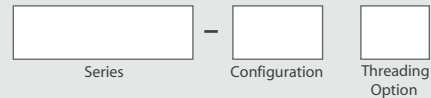
Operating Temperature

-25°C to + 85°C

2D Drawing	IGES	STEP	3D PDF
Solder Profile	CofC RoHS Compliant	CofC REACH Compliant	UL Plastic File
Certificate of Origin	Check Stock	Request a Sample	Send Us An Email

Generated Part Number

Part Number Builder



Series

STX-4235 - Stacked 3.5mm Audio Jack over 3.5mm Audio Jack

Configuration

3/3 - 3 Pins over 3 Pins

3/5 - 3 Pins over 5 Pins

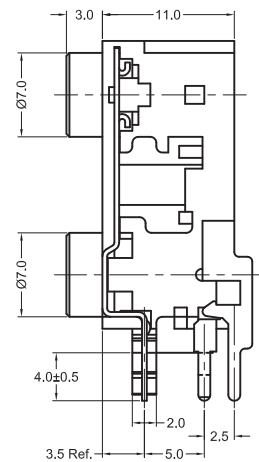
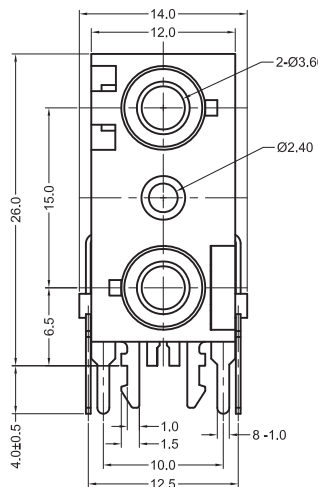
Threading Option

N - Non-Threaded Barrel

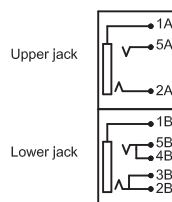
Contact Kycon for other options

STX-4235 Series
Dimensions in mm

STX-4235-3/5-N



Schematic



X-ON Electronics

Largest Supplier of Electrical and Electronic Components

Click to view similar products for [Phone Connectors](#) category:

Click to view products by [Kycon](#) manufacturer:

Other Similar products are found below :

[M444B](#) [6J1041A](#) [R4F](#) [E12BPKG](#) [ECP4PKG](#) [161-3502L-E](#) [MT333X](#) [171-0350-EX](#) [171-101A-EX](#) [171-3325-EX](#) [176S](#) [NC3MG-V](#)
[NYS228G](#) [P10834](#) [P2380](#) [P2381X](#) [P2411X](#) [P2412](#) [P2724](#) [JM2PB-AU BULK](#) [9144](#) [S2674](#) [280L](#) [163-156N-2-E](#) [163-158N-2-E](#) [171-3308-](#)
[EX](#) [171-3500-E](#) [2501FT](#) [CMT335](#) [M10662](#) [330Q](#) [RJ5VI-S](#) [40116](#) [TM1R-AU](#) [TM2PBMJ-AU](#) [TM2PJ-AU](#) [TM2PJ-AU BULK](#) [4803.1351](#)
[49201](#) [49205](#) [TS3PBJ-AU](#) [TS3PBMJ-AU](#) [TT32BX](#) [54B](#) [40112](#) [40205](#) [XMT332B](#) [52170017-331](#) [570](#) [NM3](#)