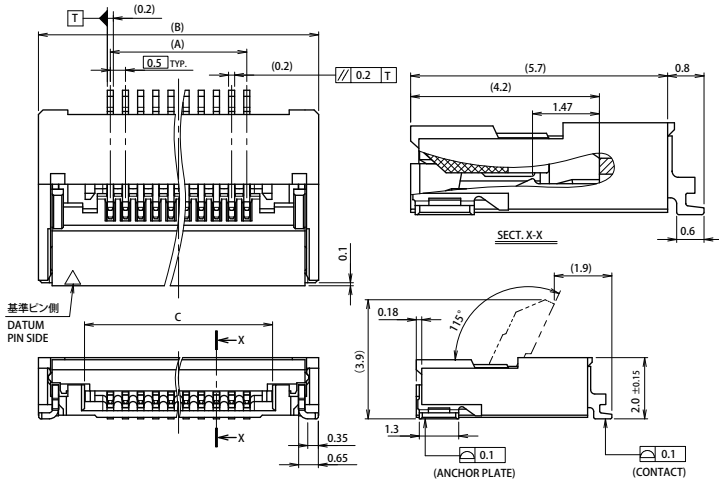


0.5mm Pitch
SERIES

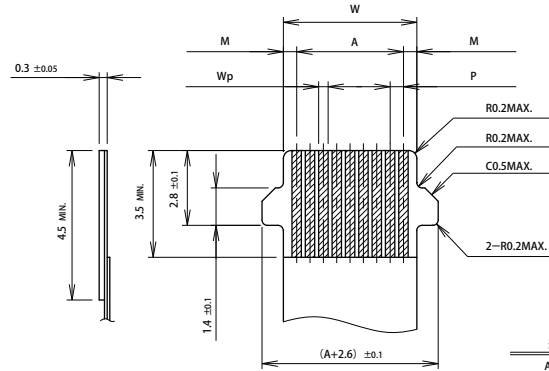
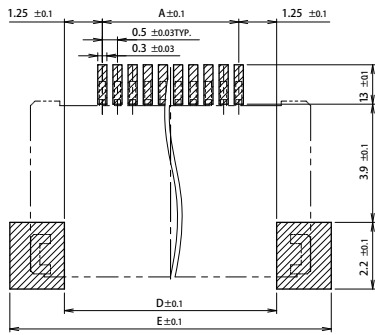
6288

0.5mmピッチ RA SMT 下接点 ワンタッチロック
0.5mmPitch RA SMT Bottom contact One-touch lock



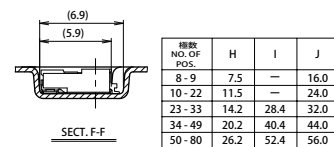
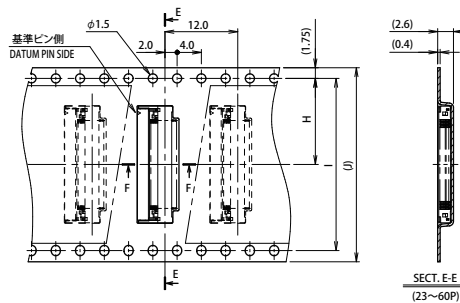
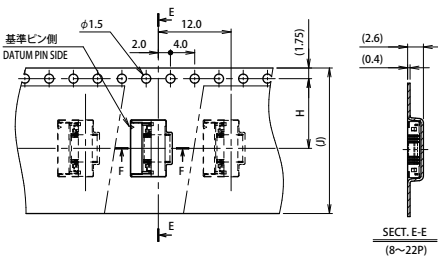
極数 NO. OF POS.	A	B	C	D	E
8	3.5	8.2	5.2	6.0	9.6
9	4.0	8.7	5.7	6.5	10.1
10	4.5	9.2	6.2	7.0	10.6
11	5.0	9.7	6.7	7.5	11.1
12	5.5	10.2	7.2	8.0	11.6
13	6.0	10.7	7.7	8.5	12.1
14	6.5	11.2	8.2	9.0	12.6
15	7.0	11.7	8.7	9.5	13.1
16	7.5	12.2	9.2	10.0	13.6
17	8.0	12.7	9.7	10.5	14.1
18	8.5	13.2	10.2	11.0	14.6
19	9.0	13.7	10.7	11.5	15.1
20	9.5	14.2	11.2	12.0	15.6
21	10.0	14.7	11.7	12.5	16.1
22	10.5	15.2	12.2	13.0	16.6
23	11.0	15.7	12.7	13.5	17.1
24	11.5	16.2	13.2	14.0	17.6
25	12.0	16.7	13.7	14.5	18.1
26	12.5	17.2	14.2	15.0	18.6
27	13.0	17.7	14.7	15.5	19.1
28	13.5	18.2	15.2	16.0	19.6
29	14.0	18.7	15.7	16.5	20.1
30	14.5	19.2	16.2	17.0	20.6

極数 NO. OF POS.	A	B	C	D	E
31	15.0	19.7	16.7	17.5	21.1
32	15.5	20.2	17.2	18.0	21.6
33	16.0	20.7	17.7	18.5	22.1
34	16.5	21.2	18.2	19.0	22.6
35	17.0	21.7	18.7	19.5	23.1
36	17.5	22.2	19.2	20.0	23.6
37	18.0	22.7	19.7	20.5	24.1
38	18.5	23.2	20.2	21.0	24.6
39	19.0	23.7	20.7	21.5	25.1
40	19.5	24.2	21.2	22.0	25.6
41	20.0	24.7	21.7	22.5	26.1
42	20.5	25.2	22.2	23.0	26.6
43	21.0	25.7	22.7	23.5	27.1
44	21.5	26.2	23.2	24.0	27.6
45	22.0	26.7	23.7	24.5	28.1
46	22.5	27.2	24.2	25.0	28.6
47	23.0	27.7	24.7	25.5	29.1
48	23.5	28.2	25.2	26.0	29.6
49	24.0	28.7	25.7	26.5	30.1
50	24.5	29.2	26.2	27.0	30.6
51	25.0	29.7	26.7	27.5	31.1
52	25.5	30.2	27.2	28.0	31.6
53	26.0	30.7	27.7	28.5	32.1
54	26.5	31.2	28.2	29.0	32.6
55	27.0	31.7	28.7	29.5	33.1
56	27.5	32.2	29.2	30.0	33.6
57	28.0	32.7	29.7	30.5	34.1
58	28.5	33.2	30.2	31.0	34.6
59	29.0	33.7	30.7	31.5	35.1
60	29.5	34.2	31.2	32.0	35.6
64	31.5	36.2	33.2	34.0	37.6
68	33.5	38.2	35.2	36.0	39.6
70	34.5	39.2	36.2	37.0	40.6
80	39.5	44.2	41.2	42.0	45.6



	FPC		FFC	
	1	2	1	2
M	0.5 ±0.07	0.5 ±0.08	0.5 ±0.07	0.5 ±0.07
P	0.5 ±0.03	0.5 ±0.05	0.5 ±0.03	0.5 ±0.03
A	A ±0.05	A ±0.05	A ±0.05	A ±0.05
W	W ±0.07	W ±0.07	W ±0.07	W ±0.07
Wp	0.35 ±0.03	0.32 ±0.03	0.30 ±0.03	0.30 ±0.03

適用FPC/FFC寸法は1か2を選択のこと。
SELECT AN APPLICABLE
FFC FROM 1 OR 2.



極数 NO. OF POS.	H	I	J
8 - 9	7.5	—	16.0
10 - 22	11.5	—	24.0
23 - 33	14.2	28.4	32.0
34 - 49	20.2	40.4	44.0
50 - 80	26.2	52.4	56.0

注文コード ORDERING CODE
04 6288 OXX 000 846+

RoHS 対応品
RoHS Compliant Product

金めっき Au Plated

極数 NUMBER OF POSITIONS

生産対応可能極数については、営業部に
ご確認ください。
Feel free to contact our sales department
for available numbers of positions.

梱包数量 2000個/リール
PACKING QUANTITY : 2000/Reel

X-ON Electronics

Largest Supplier of Electrical and Electronic Components

Click to view similar products for [Kyocera manufacturer](#):

Other Similar products are found below :

[C-51505NFQJ-LW-ALN](#) [CX2520DB38400F0WLLCC](#) [245804030000829+](#) [PBRV12.00MR50Y000](#) [PBRC12.00HR50X0RZ](#)
[TCG121WXLRXVNNANX35](#) [TK150X03-002](#) [KT7050A10000KAW33TAD](#) [TKL-121WOB-18055-A](#) [T-55532D104J-LW-A-ADN](#) [KDA-121OB-18055S-A](#) [T-55788GD121J-LW-AGN](#) [CX5032GB24000H0PESZZ](#) [TKL-104XOB-18054-A](#) [TCG062HVLDA-G20](#)
[KC2520Z25.0000C1GX00](#) [KCQ20A06](#) [KCU30A20](#) [KSU30A30B](#) [CX2016DB16000D0GPSC1](#) [TKL-070WOB-18052-A](#)
[TCG035QVLPDANN-GN50](#) [KCH20A10](#) [KCF16A20](#) [FCH20A\(U\)10](#) [KCQ30A04](#) [FCHS30A045](#) [GCQ20A04](#) [GCQ30A04](#)
[TG035QVLQAANN-GN00](#) [KC2016Z40.0000C1KX00](#) [008283081100000+](#) [CX3225SB22579D0PPSC1](#) [FSF10A20](#) [S-12564](#)
[CX2520DB32000F0FPLCC](#) [CX3225SB16000D0GEJZ1](#) [CX3225SB13560D0PESZZ](#) [CX3225SB24576D0PPSC1](#) [FCQS30A045](#) [KCU20A20](#)
[296406200001856+](#) [CX3225GB30000D0HEQ](#) [CX5032GB08000D0PPS02](#) [CX3225SA10000D0PPST1](#) [CX3225GB32000D0HEQ](#)
[CX3225GB40000D0HEQ](#) [TCG121WXLPAANN-AN20](#) [CX5032GB10000H0PESZZ](#) [GSH05A10](#)