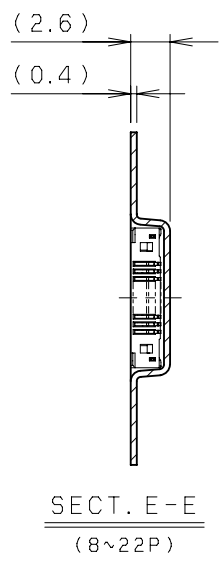
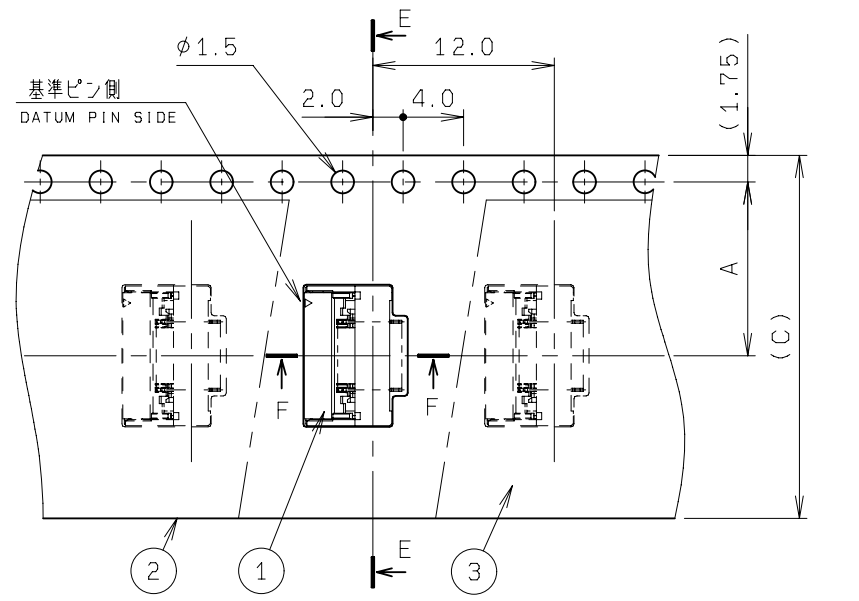
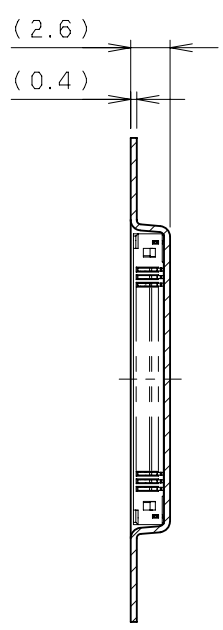
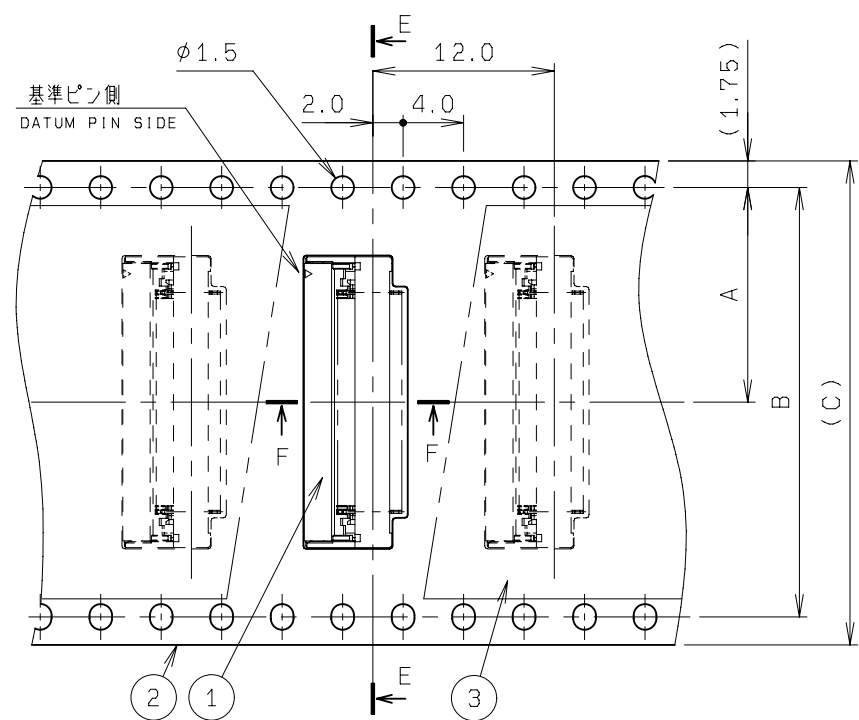


NO.	DESCRIPTION	PART NO.	QTY	MATERIAL	DRW NO.	REMARKS
1	CONNECTOR	00 6288 0XX 000 846 +	2000	---		
2	EMBOSSED TAPE		1	POLYSTYRENE		
3	TOP COVER TAPE		1	POLYSTYRENE		
4	REEL		1	POLYSTYRENE		



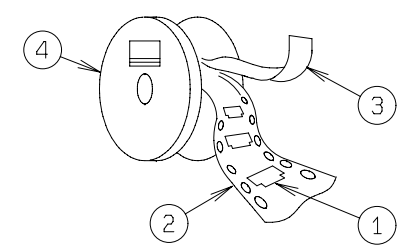
SECT. E-E
(8~22P)



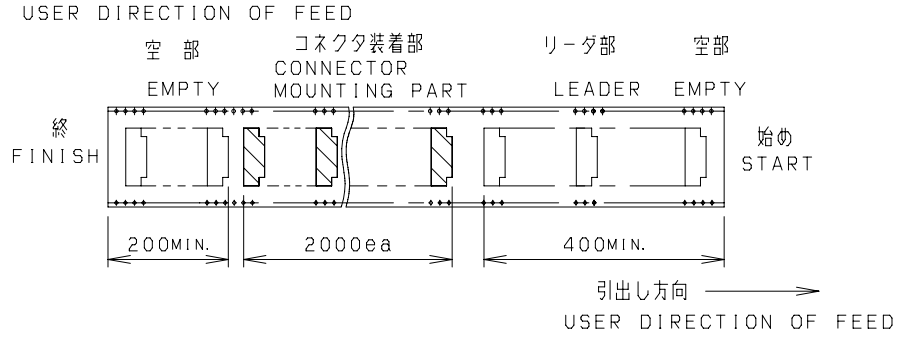
SECT. E-E
(23~60P)

注記
NOTE

- 梱包数量 : 2000 個/リール
PACKING QUANTITY : 2000 ea/reel
- 納入時のリール巻き方向
REELING DIRECTION
IN DELIVERY



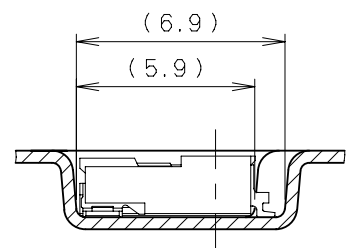
3. 引出し方向



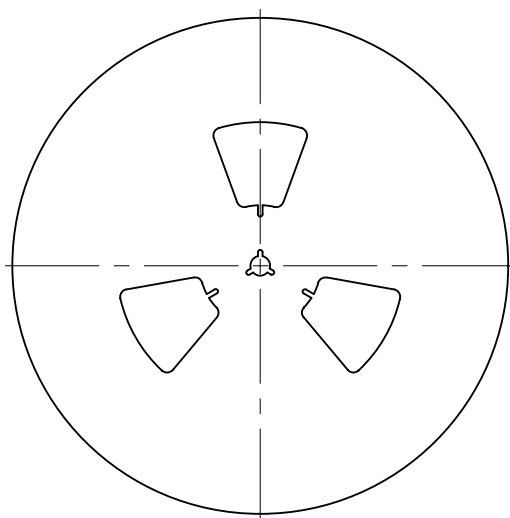
- 型番
P/N 04 6288 0XX 000 846 +
極数
NO. OF POS. _____
めっきコード
PLATING CODE 846 + :AU

極数 NO. OF POS.	A	B	C	D
8	7.5	---	16.0	22.4
9	7.5	---	16.0	22.4
10	11.5	---	24.0	30.4
11	11.5	---	24.0	30.4
12	11.5	---	24.0	30.4
13	11.5	---	24.0	30.4
14	11.5	---	24.0	30.4
15	11.5	---	24.0	30.4
16	11.5	---	24.0	30.4
17	11.5	---	24.0	30.4
18	11.5	---	24.0	30.4
19	11.5	---	24.0	30.4
20	11.5	---	24.0	30.4

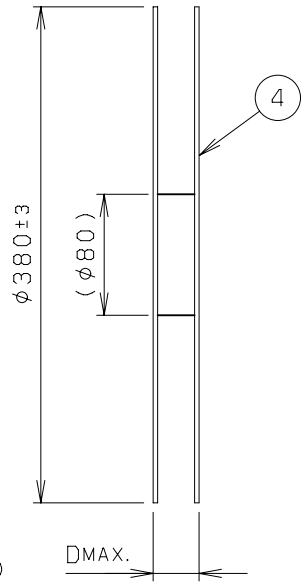
極数 NO. OF POS.	A	B	C	D
21	11.5	---	24.0	30.4
22	11.5	---	24.0	30.4
23	14.2	28.4	32.0	38.4
24	14.2	28.4	32.0	38.4
25	14.2	28.4	32.0	38.4
26	14.2	28.4	32.0	38.4
27	14.2	28.4	32.0	38.4
28	14.2	28.4	32.0	38.4
29	14.2	28.4	32.0	38.4
30	14.2	28.4	32.0	38.4
31	14.2	28.4	32.0	38.4
32	14.2	28.4	32.0	38.4
33	14.2	28.4	32.0	38.4
34	20.2	40.4	44.0	50.4
35	20.2	40.4	44.0	50.4
36	20.2	40.4	44.0	50.4
37	20.2	40.4	44.0	50.4
38	20.2	40.4	44.0	50.4
39	20.2	40.4	44.0	50.4
40	20.2	40.4	44.0	50.4
41	20.2	40.4	44.0	50.4
42	20.2	40.4	44.0	50.4
43	20.2	40.4	44.0	50.4
44	20.2	40.4	44.0	50.4
45	20.2	40.4	44.0	50.4
46	20.2	40.4	44.0	50.4
47	20.2	40.4	44.0	50.4
48	20.2	40.4	44.0	50.4
49	20.2	40.4	44.0	50.4
50	26.2	52.4	56.0	62.4
51	26.2	52.4	56.0	62.4
52	26.2	52.4	56.0	62.4
53	26.2	52.4	56.0	62.4
54	26.2	52.4	56.0	62.4
55	26.2	52.4	56.0	62.4
56	26.2	52.4	56.0	62.4
57	26.2	52.4	56.0	62.4
58	26.2	52.4	56.0	62.4
59	26.2	52.4	56.0	62.4
60	26.2	52.4	56.0	62.4



SECT. F-F (S=4/1)



REEL DIMENSION (S=1/5)



ROHS規制対応
COMPLIANT WITH
ROHS REGULATIONS

TOLERANCE / 一般公差 (S)		PRODUCT SPEC / 製品規格		B	DCN-431	6-02-08			
X < 10	±0.2	POLYSTYRENE (CLEAR)		A	DCN-209	3-17-08	G. SAGARA	T. SATOH	
10 ≤ X < 30	±0.25	UNIT	ANGLE	O	EDN-094	2-16-08	G. SAGARA	T. SATOH	
30 ≤ X	±0.3	mm	3RD	NO.	EDN/DCN	DATE	ISSUE	CHECKED	
ANGLE / 角度	±3°	SCALE	DATE	PART NAME / 品名					
		2/1		EMBOSS TAPE ASSY FPC ASSY RA SMT 0.5mm PITCH					
DRAWN	DESIGNED	CHECKED	APPROVED	PART NO. / 型番					
G. SAGARA	G. SAGARA		T. SATOH	04 6288 0XX 000 846 +					
KYOCERA				DWG NO. / 図番				SHEET/REV	
KYOCERA ELCO CORPORATION				BJS 6288002				1/1 B	

X-ON Electronics

Largest Supplier of Electrical and Electronic Components

Click to view similar products for [Kyocera manufacturer](#):

Other Similar products are found below :

[C-51505NFQJ-LW-ALN](#) [CX2520DB38400F0WLLCC](#) [245804030000829+](#) [PBRV12.00MR50Y000](#) [PBRC12.00HR50X0RZ](#)
[TCG121WXLRXVNNANX35](#) [TK150X03-002](#) [KT7050A10000KAW33TAD](#) [TKL-121WOB-18055-A](#) [T-55532D104J-LW-A-ADN](#) [KDA-121OB-18055S-A](#) [T-55788GD121J-LW-AGN](#) [CX5032GB24000H0PESZZ](#) [TKL-104XOB-18054-A](#) [TCG062HVLDA-G20](#)
[KC2520Z25.0000C1GX00](#) [KCQ20A06](#) [KCU30A20](#) [KSU30A30B](#) [CX2016DB16000D0GPSC1](#) [TKL-070WOB-18052-A](#)
[TCG035QVLPDANN-GN50](#) [KCH20A10](#) [KCF16A20](#) [FCH20A\(U\)10](#) [KCQ30A04](#) [FCHS30A045](#) [GCQ20A04](#) [GCQ30A04](#)
[TG035QVLQAANN-GN00](#) [KC2016Z40.0000C1KX00](#) [008283081100000+](#) [CX3225SB22579D0PPSC1](#) [FSF10A20](#) [S-12564](#)
[CX2520DB32000F0FPLCC](#) [CX3225SB16000D0GEJZ1](#) [CX3225SB13560D0PESZZ](#) [CX3225SB24576D0PPSC1](#) [FCQS30A045](#) [KCU20A20](#)
[296406200001856+](#) [CX3225GB30000D0HEQ](#) [CX5032GB08000D0PPS02](#) [CX3225SA10000D0PPST1](#) [CX3225GB32000D0HEQ](#)
[CX3225GB40000D0HEQ](#) [TCG121WXLPAANN-AN20](#) [CX5032GB10000H0PESZZ](#) [GSH05A10](#)