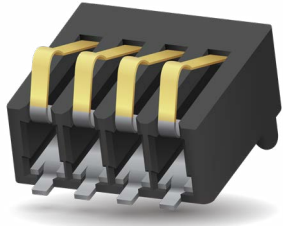


Battery Connector 1.27mm Pitch

9155-020



GENERAL DESCRIPTION

KYOCERA AVX Interconnect extends their range of board-to-board battery connectors with small pitch 1.27mm. This new version 9155-020 has a nominal working height 2.5-3.5mm. This series includes 2 through 5 position connectors that are end to end stackable. These connectors are rated at a full 3 Amps per contact for 2 & 3 ways and 2 Amps per contact for 4 & 5 ways.

The complete family of connectors 9155 series from Kyocera AVX offer all the same advantages : Ultra reliable and robust gold plated beryllium copper contacts provide high integrity connections in harsh environments, with 15000 mating operations. Insulator material is glass filled Liquid Crystal Polymer (LCP) with flame retardant for RoHS soldering.

APPLICATIONS

- Handheld/portable devices requiring docking or cradle charging
- Patient monitoring or portable medical electronics
- Battery packs of portable oxygen generator products
- Industrial devices requiring pluggable or programming modules
- Internet appliances requiring battery back-up

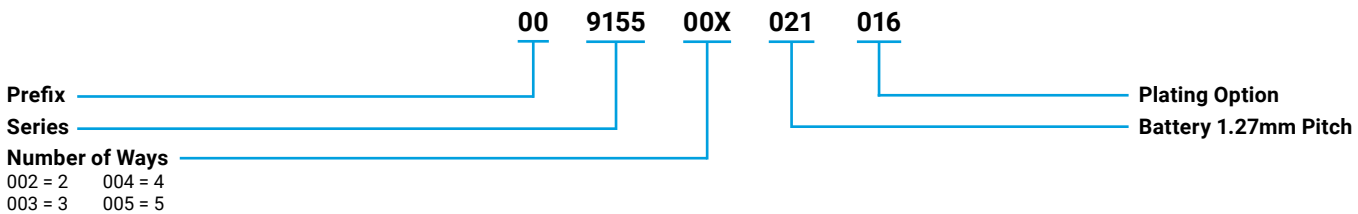
ELECTRICAL

- Current Rating: 3 Amp / Contact (2 & 3 way)
2 Amp / Contact (4 & 5 way)
- Voltage Rating: 400 VAC

ENVIRONMENTAL

- Operating Temperature: -40°C to +125°C

HOW TO ORDER



FEATURES AND BENEFITS

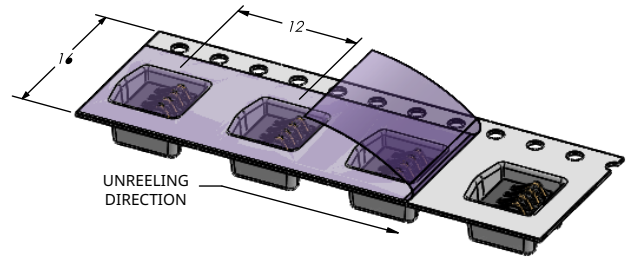
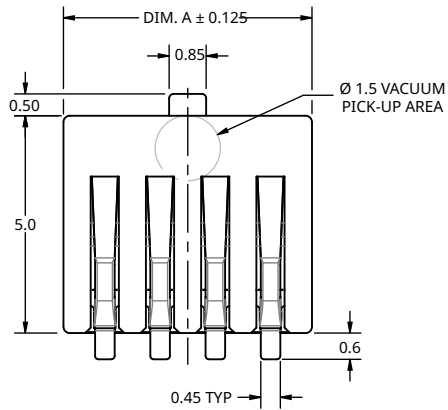
- Insulator height 2.35mm
- Gold plated BeCu contacts provide high electrical and mechanical performance over 15000 mating cycles
- Glass filled LCP plastic with flame retardant, UL94V-0 rated
- End-to-end stackable

MECHANICAL

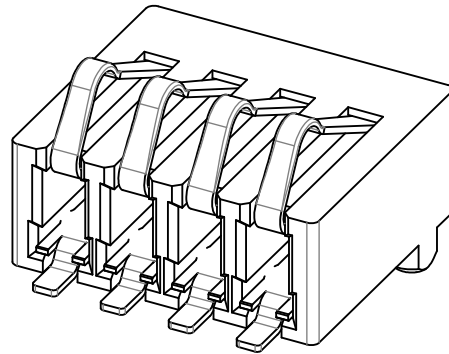
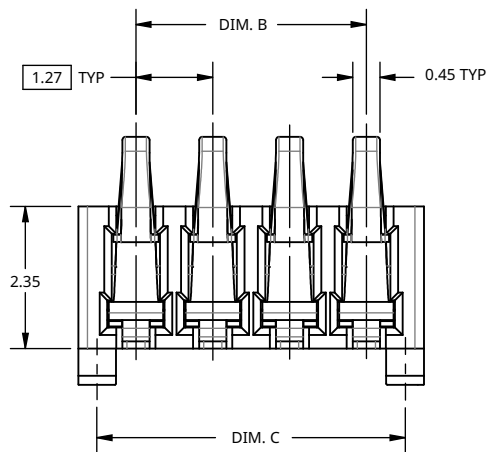
- Insulator Material: Glass filled LCP plastic with flame retardant, UL94V-0 rated
- Contact Material: Beryllium Copper
- Plating: Gold on Nose, Pure Tin SMT terminations over base Nickel
- Durability: 15000 Cycles

Battery Connector 1.27mm Pitch

9155-020



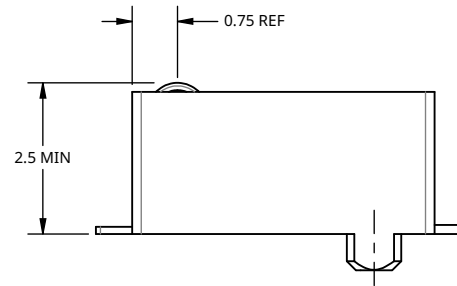
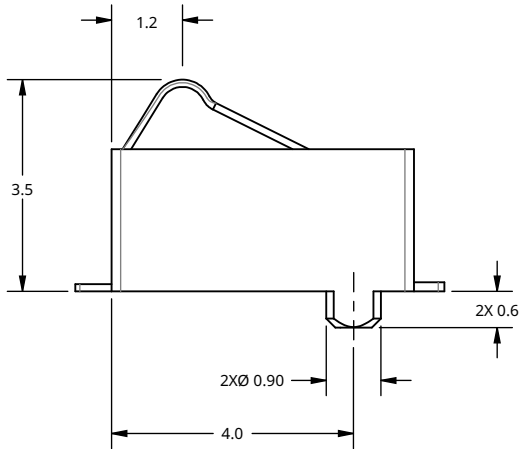
PACKAGING PER EIA-481
SCALE = 2:1



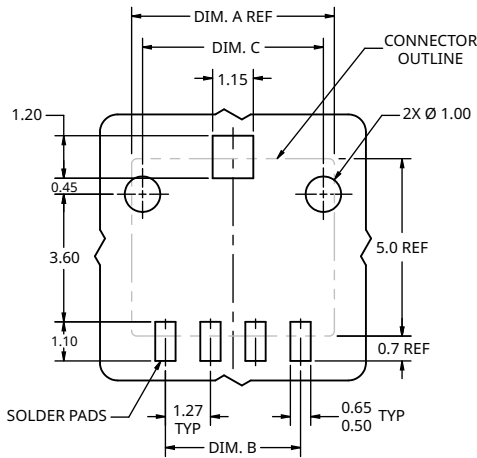
Part Number	POS.	DIM. A	DIM. B	DIM. C
00-9155-002-021-016	2	3.175	1.27	2.56
00-9155-003-021-016	3	4.445	2.54	3.83
00-9155-004-021-016	4	5.715	3.81	5.10
00-9155-005-021-016	5	6.985	5.08	6.37

Battery Connector 1.27mm Pitch

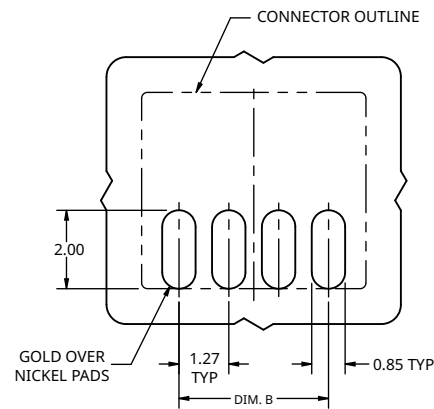
9155-020



MAXIMUM DEFLECTION



SOLDER PCB LAYOUT



MATING PCB LAYOUT

NOTES:

- HOUSING MATERIAL: GLASS-FILLED THERMOPLASTIC FLAME RETARDANT PER UL94V-0; COLOR: BLACK
- CONTACT MATERIAL: HIGH STRENGTH COPPER ALLOY
- PLATING: 0.8M-M MIN. DUCTILE NICKEL UNDERPLATE ALL OVER; 0.75M-M MN. HARD GOLD IN CONTACT AREA; 1.5-3.0M-M LEAD-FREE MATTE TIN ON TAILS
- SOLDER TAB TO BE A TIN-PLATED COPPER ALLOY
- PACKAGING QUANTITY TO BE 1,100 PARTS PER REEL

X-ON Electronics

Largest Supplier of Electrical and Electronic Components

Click to view similar products for [Battery Contacts](#) category:

Click to view products by [Kyocera AVX](#) manufacturer:

Other Similar products are found below :

[3.5MM-UNIVERSAL-CONTACT](#) [120220-0311](#) [101267-209](#) [009155003001013](#) [RRC-MC21-90-10](#) [1011-1](#) [72](#) [1189](#) [120](#) [120220-0202](#)
[120220-0206](#) [1241](#) [120220-0204](#) [120220-0210](#) [117](#) [111](#) [497](#) [5203](#) [5219](#) [5225](#) [550](#) [553](#) [555](#) [556](#) [202-02970-00518](#) [009155002100006](#)
[009155002101006](#) [009155002201006](#) [009155002301006](#) [009155002401006](#) [009155002402006](#) [009155002541006](#) [009155002852006](#)
[009155003001016](#) [009155003002016](#) [009155003003016](#) [009155003101006](#) [009155003201006](#) [009155003301006](#) [009155003401006](#)
[009155003402006](#) [009155003541006](#) [009155003852006](#) [009155004002016](#) [009155004003016](#) [009155004201006](#) [009155004301006](#)
[009155004401006](#) [009155004402006](#) [009155004541006](#)