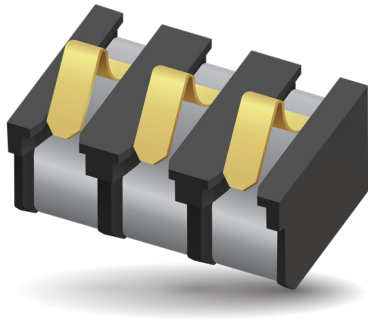


BATTERY CONNECTORS

Reduced 2.5mm Pitch 9155-250



GENERAL DESCRIPTION

KYOCERA AVX Interconnect extends their range of board-to-board reduced battery connectors. This new version 9155-250 has a nominal working height of 4.5mm compared with the existing 9155-200 which has a nominal working height of 3mm. These connectors are rated at a full 3 Amps per contact on 2.5mm centers. This series includes 2 through 5 position connectors that are end to end stackable.

The complete family of connectors 9155 series from KYOCERA AVX offer all the same advantages: Ultra reliable and robust gold plated beryllium copper contacts provide high integrity connections in harsh environments, with 5000 mating operations, high temperature nylon plastic for RoHS soldering. Additionally, 9155-250 is made from halogen free nylon.

APPLICATIONS

- Handheld/portable devices requiring docking or cradle charging
- Patient monitoring or portable medical electronics
- Industrial devices requiring pluggable or programming modules
- Internet appliances requiring battery back-up

FEATURES AND BENEFITS

- Insulator height 3.6mm
- Gold plated BeCu contacts provide high electrical and mechanical performance over 5000 mating cycles
- Halogen free high temperature nylon plastic, UL94V-0 rated
- End-to-end stackable

ELECTRICAL

- Current Rating: 3 Amp/Contact
- Voltage Rating: 125 VAC

ENVIRONMENTAL

- Operating Temperature: -40°C to +125°C

MECHANICAL

- Insulator Material: High Temperature Halogen Free Plastic to UL94V-0 rated
- Contact Material: Beryllium Copper
- Plating: Gold on Nose, Pure Tin SMT terminations over base Nickel
- Durability: 5000 Cycles



HOW TO ORDER

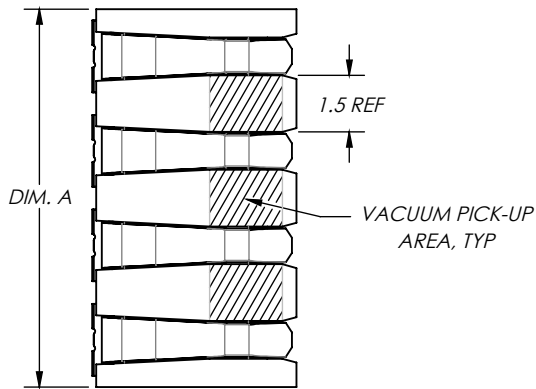
00	9155	00X
Prefix	Series	No. of Ways
		2 = 002
		3 = 003
		4 = 004
		5 = 005

251	
Reduced Size Battery Connector	
Code	Description
251	Reduced 2.5mm Size Battery Connector

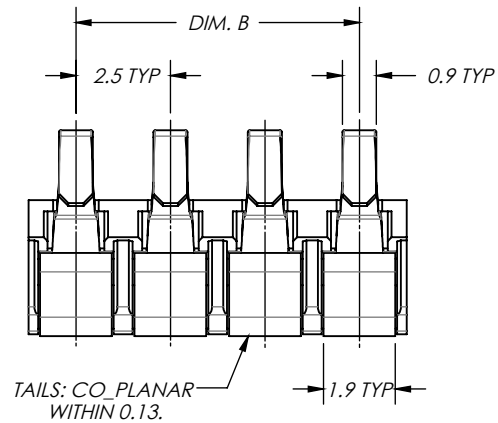
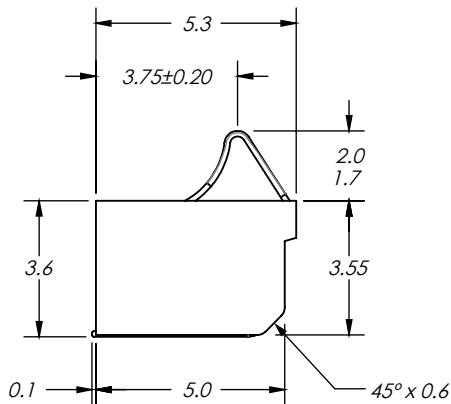
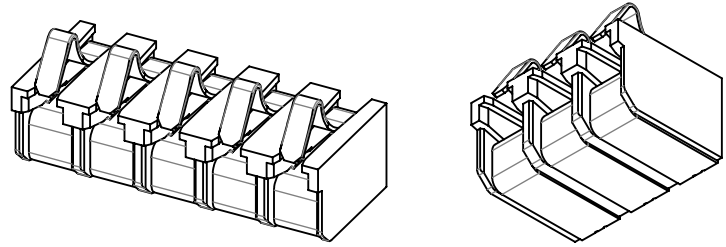
00X	
Plating Option	
Code	Description
006	0.4µm Selective Gold, Standard

BATTERY CONNECTORS

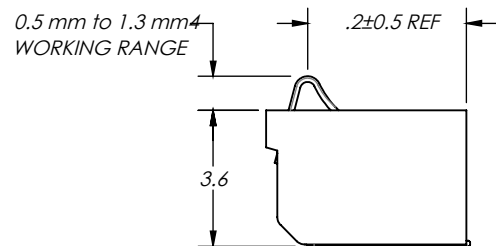
Reduced 2.5mm Pitch 9155-250



3 AND 5 POSITION PARTS



Part Number	Positions	DIM. A	DIM. B	Tape Width
00-9155-002-251-006	2	5.00	2.50	16.0
00-9155-003-251-006	3	7.50	5.00	16.0
00-9155-004-251-006	4	10.00	7.50	24.0
00-9155-005-251-006	5	12.50	10.00	24.0



PART AS DEFLECTED

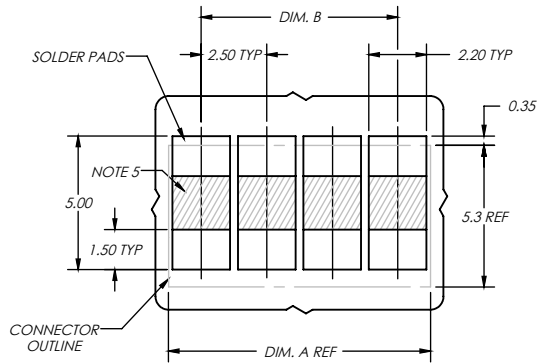
NOTES:

- FOR MORE DETAILED INFORMATION, SEE KYOCERA AVX PRODUCT SPECIFICATION #201-01-093.
- HOUSING MATERIAL: GLASS-FILLED STANYL 4T; FLAME RETARDANT PER UL94V-0; HALOGEN FREE, COLOR: BLACK.
- CONTACT MATERIAL: BERYLLIUM-COPPER.
- CONTACT PLATING: NICKEL UNDERPLATE ALL OVER; 0.4 μ-m MIN. GOLD IN CONTACT AREA; LEAD-FREE TIN ON TAILS.
- 2.20 x 5.00 SOLDER PADS MAY BE CONTINUOUS, OR THE SHADED PORTION MAY BE REMOVED—AT CUSTOMER'S DISCRETION.

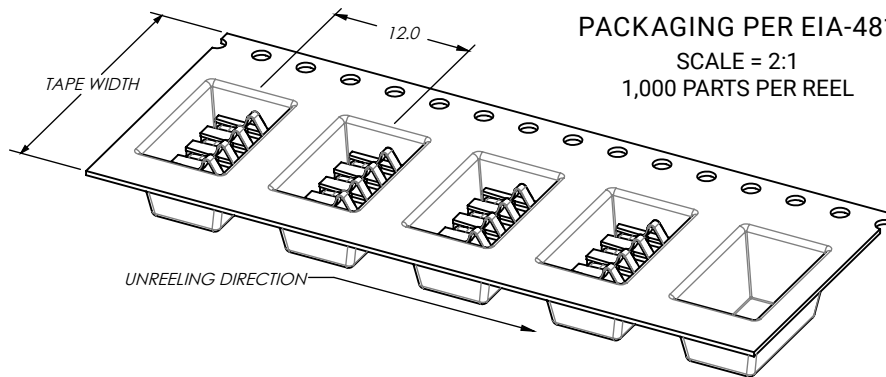
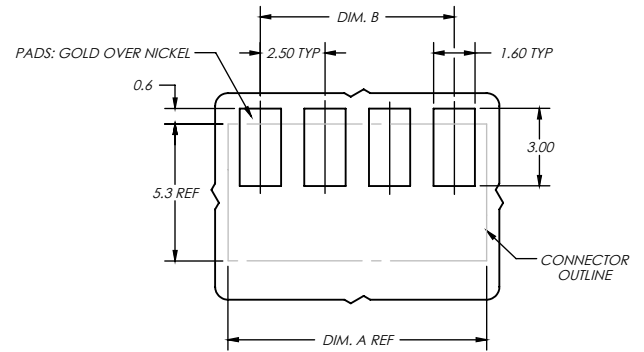
BATTERY CONNECTORS

Reduced 2.5mm Pitch 9155-250

RECOMMENDED LAYOUT
SOLDER SIDE PCB



RECOMMENDED LAYOUT
MATING SIDE PCB



Part Number	Positions	DIM. A	DIM. B	Tape Width
00-9155-002-251-006	2	5.00	2.50	16.0
00-9155-003-251-006	3	7.50	5.00	16.0
00-9155-004-251-006	4	10.00	7.50	24.0
00-9155-005-251-006	5	12.50	10.00	24.0

NOTES:

1. FOR MORE DETAILED INFORMATION, SEE KYOCERA AVX PRODUCT SPECIFICATION #201-01-093.
2. HOUSING MATERIAL: GLASS-FILLED STANYL 4T; FLAME RETARDANT PER UL94V-0; HALOGEN FREE, COLOR: BLACK.
3. CONTACT MATERIAL: BERYLLIUM-COPPER.
4. CONTACT PLATING: NICKEL UNDERPLATE ALL OVER; 0.4 μ-m MIN. GOLD IN CONTACT AREA; LEAD-FREE TIN ON TAILS.
5. 2.20 x 5.00 SOLDER PADS MAY BE CONTINUOUS, OR THE SHADED PORTION MAY BE REMOVED—AT CUSTOMER'S DISCRETION.

X-ON Electronics

Largest Supplier of Electrical and Electronic Components

Click to view similar products for [Battery Contacts](#) category:

Click to view products by [Kyocera AVX](#) manufacturer:

Other Similar products are found below :

[3.5MM-UNIVERSAL-CONTACT](#) [009155003001013](#) [RRC-MC21-90-10](#) [550TR](#) [47507-0010](#) [47615-0001](#) [110](#) [1189](#) [120](#) [120220-0202](#)
[120220-0206](#) [1241](#) [113](#) [114](#) [118](#) [2199206-1](#) [2470RB](#) [2472](#) [2472RB](#) [118TR](#) [120220-0204](#) [120220-0210](#) [120TR](#) [117](#) [122TR](#) [111](#) [120220-](#)
[0312](#) [5330TR](#) [009155003741006](#) [122](#) [5331TR](#) [009155002741006](#) [1083TR](#) [498TR](#) [556TR](#) [009155005741006](#) [009155006741006](#) [70ADJ-3-](#)
[FL1G](#) [1902937-1](#) [497](#) [5203](#) [5219](#) [5225](#) [550](#) [553](#) [555](#) [556](#) [9155004002016](#) [009155002101006](#) [009155002201006](#)