

Ultra-Low Profile 2.5mm Pitch Battery

9155-100



AVX has been leading the industry with reliable Board-to-Board (BTB) compression connectors for commercial, medical and harsh industrial applications, obtaining the very first contact patent in the early 1990's. The broad range of connectors offers both signal contacts which support 1 Amp/contact up to 40 position as well as low pin count (LPC) power contacts up to 3 Amps/contact.

The newest addition is the Ultra Low Profile (ULP) power connector that supports a 1.3mm compressed height, the lowest on the market. Gold plated Beryllium Copper (BeCu) contacts offers the most reliable and resilient contact performance in this miniature package. The sweeping contact design offers 0.7mm deflection range, long contact wipe and in excess of 40 grams of contact force at minimum operating deflection. All combined, this connector is rated at an unbelievable 5000 mating cycles for mechanical endurance.

APPLICATIONS

- Low profile power, signal, ground or shielding requirements
- Repeatable/Pluggable module or battery pack requirements
- Low profile flex circuit to PCB applications
- Portable devices

FEATURES AND BENEFITS

- High Reliability / High Cycle Life BeCu contacts for maximum system performance
- ULP 1.3mm minimum operating height with 0.7mm "Z" axis compression/tolerance range
- Gold plating supports a broad range applications based on reliability and environments
- 3 Amp contact rating over a -40°C to +105°C operating range supports a broad application spectrum

ELECTRICAL

- Current Rating: 3 Amps/Contact
- Voltage Rating: 125VAC

ENVIRONMENTAL

- Operating Temperature: -40°C to +105°C

MECHANICAL

- Insulator Material: Glass-Filled Nylon 46; UL94 V-O
- Contact Material: Beryllium Copper
- Plating: Gold over Nickel
- Durability: 5000 Cycles

HOW TO ORDER

00	9155	00X
Prefix	Series	No. of Ways
		2 = 002
		3 = 003

10X
Low Profile Battery Connector

Code	Description	Operating Height
100	Low Profile Battery Connector No Stop	1.30 (0.051)
101	Low Profile Battery Connector Stop	1.30 (0.051)

00X
Plating Option

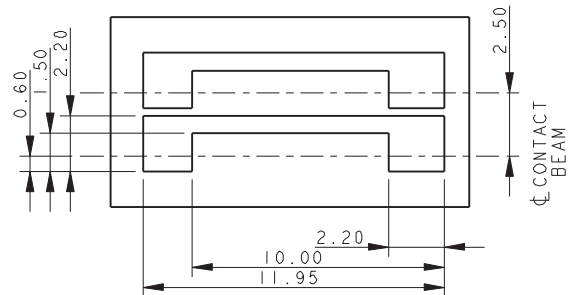
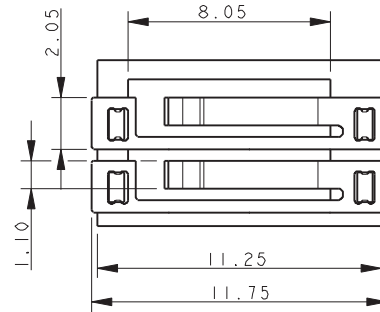
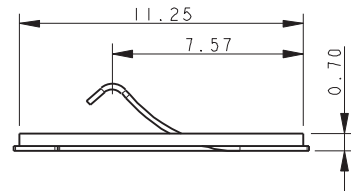
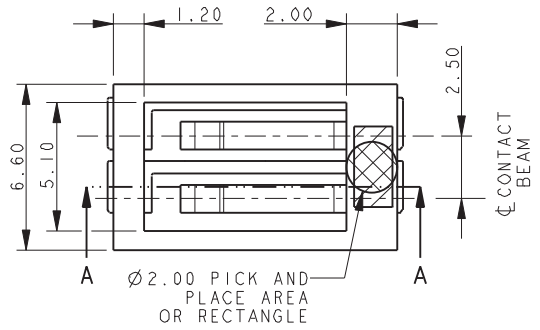
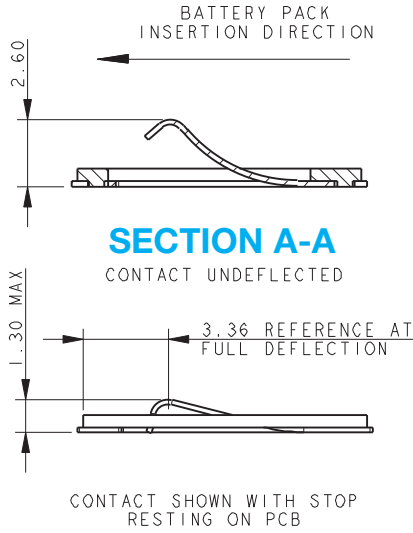
Code	Description
006	0.4µm Selective Gold, Standard
008	0.8µm Selective Gold, Special Order



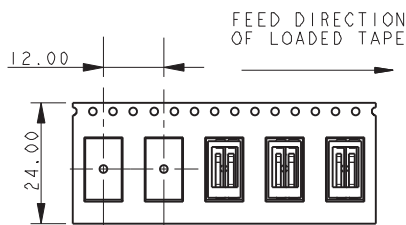
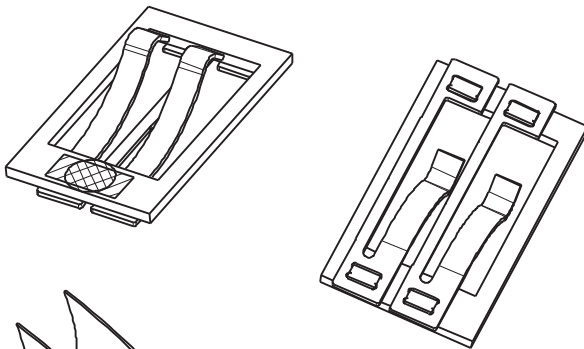
Ultra-Low Profile 2.5mm Pitch Battery

9155-100

2 WAY LOW PROFILE CONNECTOR NO STOP



SUGGESTED PCB LAYOUT



PACKING DETAILS

REEL QTY	1500
LEADER	500MM
TRAILER	500MM

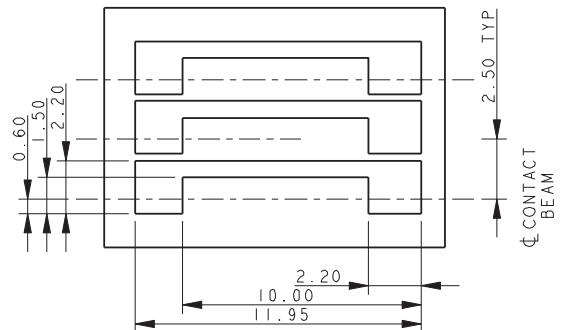
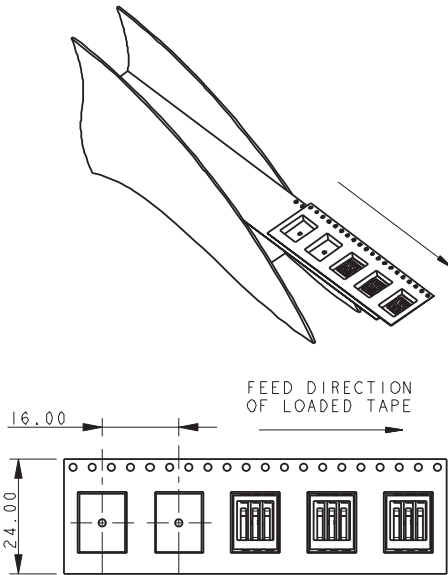
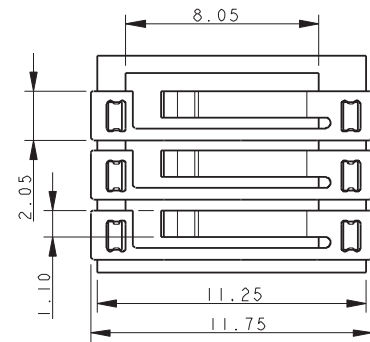
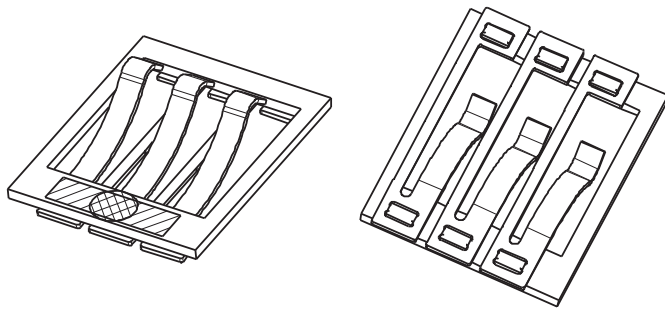
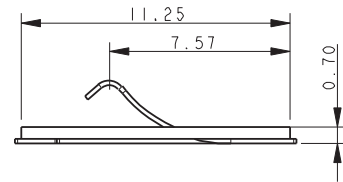
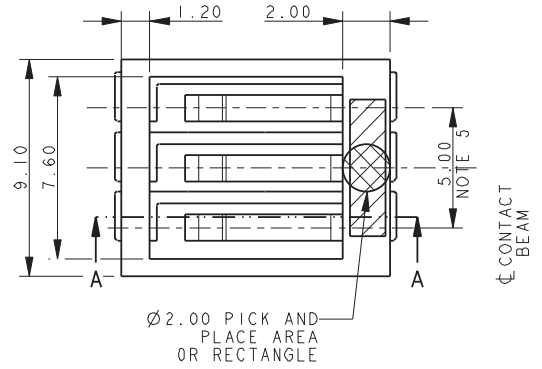
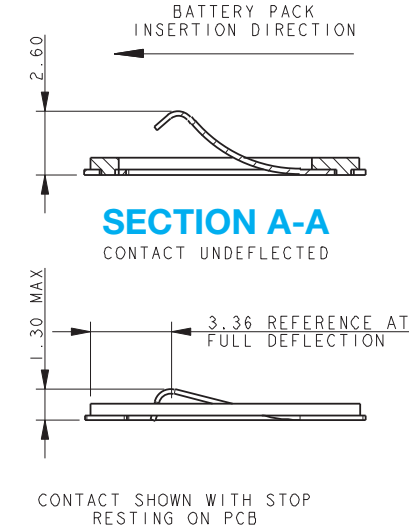
NOTES:

1. FOR FULL PRODUCT SPECIFICATION REFER TO ELCO SPECIFICATION 201-01-094.
2. MATERIALS: CONTACT - COPPER ALLOY, INSULATOR - GLASS FILLED NYLON. COLOR: BLACK.
3. TOLERANCE ± 0.20 UNLESS SPECIFIED.
4. PACKING DETAILS SEE TABLE.
5. FOR MATING PAD DETAILS REFER TO PAGE 103.

Ultra-Low Profile 2.5mm Pitch Battery

9155-100

3 WAY LOW PROFILE CONNECTOR NO STOP



SUGGESTED PCB LAYOUT

- NOTES:
- FOR FULL PRODUCT SPECIFICATION REFER TO ELCO SPECIFICATION 201-01-094.
 - MATERIALS: CONTACT - COPPER ALLOY, INSULATOR - GLASS FILLED NYLON. COLOR: BLACK.
 - TOLERANCE ± 0.20 UNLESS SPECIFIED.
 - PACKING DETAILS SEE TABLE.
 - 2 EQUAL PITCHES @ 2.50 = 5.00.
 - FOR MATING PAD DETAILS REFER TO PAGE 103.

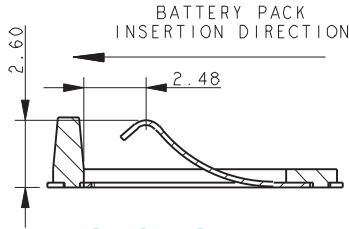
PACKING DETAILS

REEL QTY	1200
LEADER	500MM
TRAILER	500MM

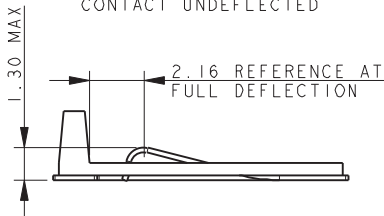
Ultra-Low Profile 2.5mm Pitch Battery

9155-100

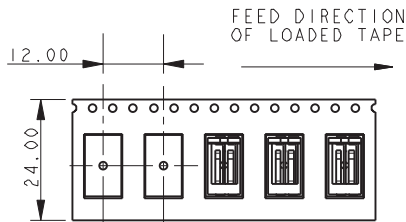
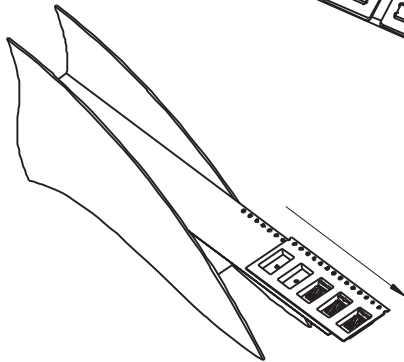
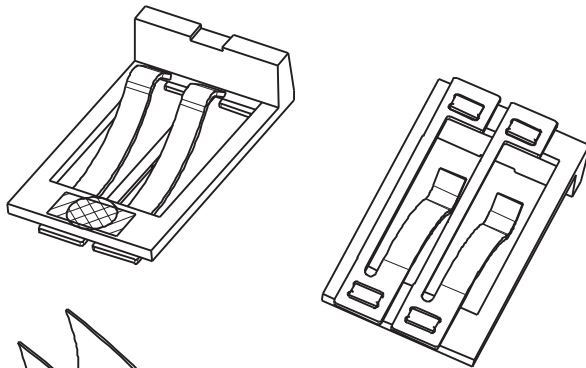
2 WAY LOW PROFILE CONNECTOR WITH STOP



SECTION A-A
CONTACT UNDEFLECTED

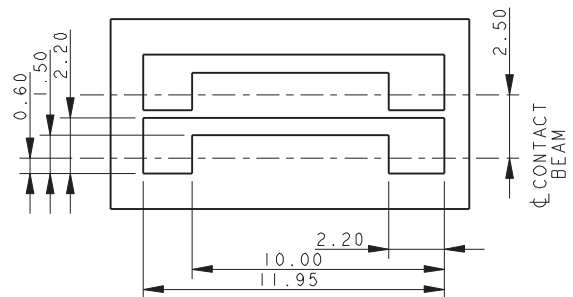
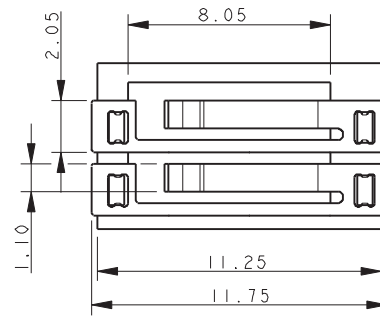
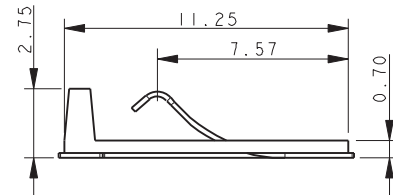
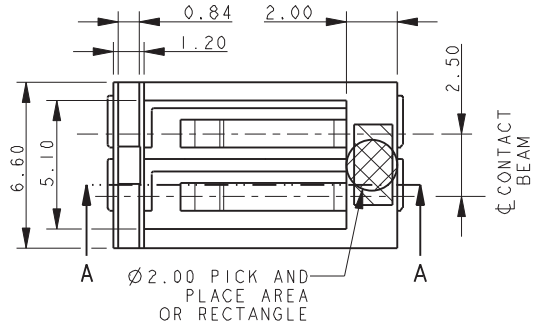


CONTACT SHOWN WITH STOP
RESTING ON PCB



PACKING DETAILS

REEL QTY	1500
LEADER	500MM
TRAILER	500MM



SUGGESTED PCB LAYOUT

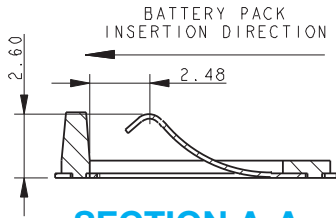
NOTES:

1. FOR FULL PRODUCT SPECIFICATION REFER TO ELCO SPECIFICATION 201-01-094.
2. MATERIALS: CONTACT - COPPER ALLOY, INSULATOR - GLASS FILLED NYLON. COLOR: BLACK.
3. TOLERANCE ± 0.20 UNLESS SPECIFIED.
4. PACKING DETAILS SEE TABLE.
5. FOR MATING PAD DETAILS REFER TO PAGE 103.

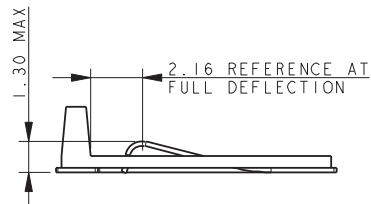
Ultra-Low Profile 2.5mm Pitch Battery

9155-100

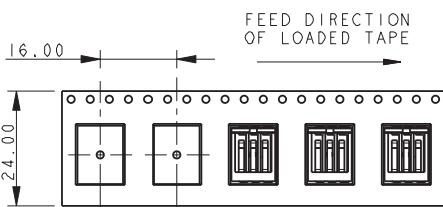
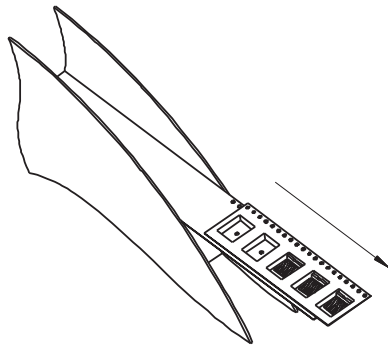
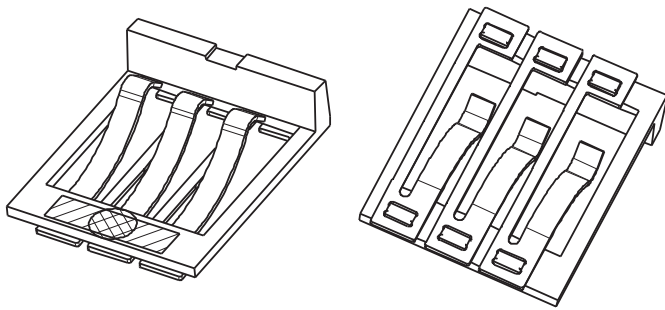
3 WAY LOW PROFILE CONNECTOR WITH STOP



SECTION A-A
CONTACT UNDEFLECTED

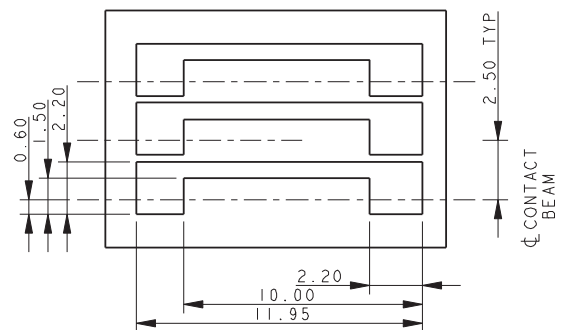
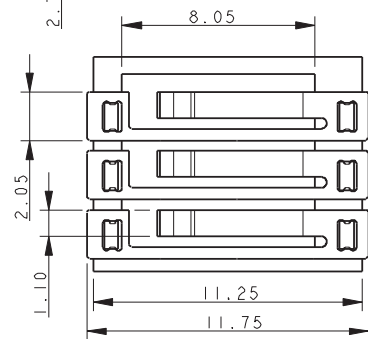
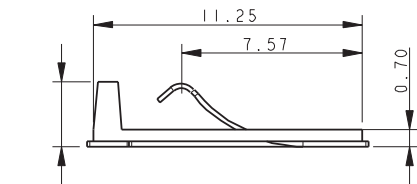
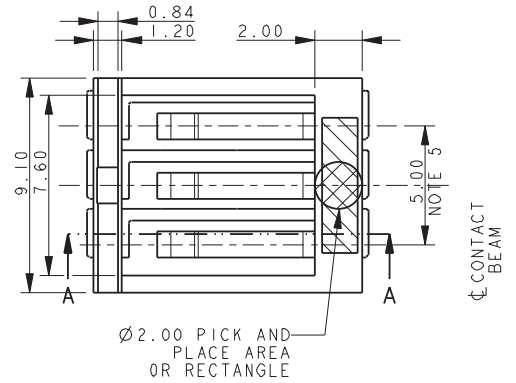


CONTACT SHOWN WITH STOP
RESTING ON PCB



PACKING DETAILS

REEL QTY	1200
LEADER	500MM
TRAILER	500MM



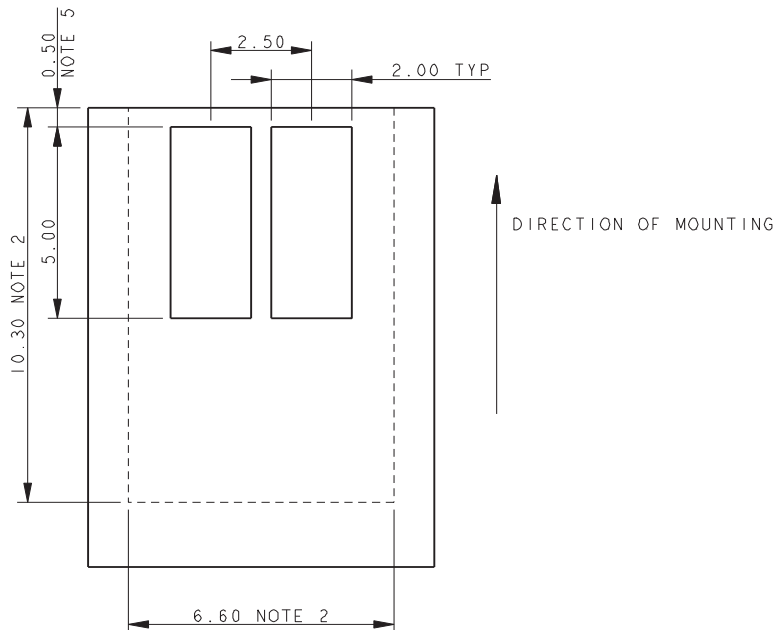
SUGGESTED PCB LAYOUT

- NOTES:
- FOR FULL PRODUCT SPECIFICATION REFER TO ELCO SPECIFICATION 201-01-094.
 - MATERIALS: CONTACT - COPPER ALLOY, INSULATOR - GLASS FILLED NYLON. COLOR: BLACK.
 - TOLERANCE ± 0.20 UNLESS SPECIFIED.
 - PACKING DETAILS SEE TABLE.
 - 2 EQUAL PITCHES @ 2.50 = 5.00.
 - FOR MATING PAD DETAILS REFER TO PAGE 103.

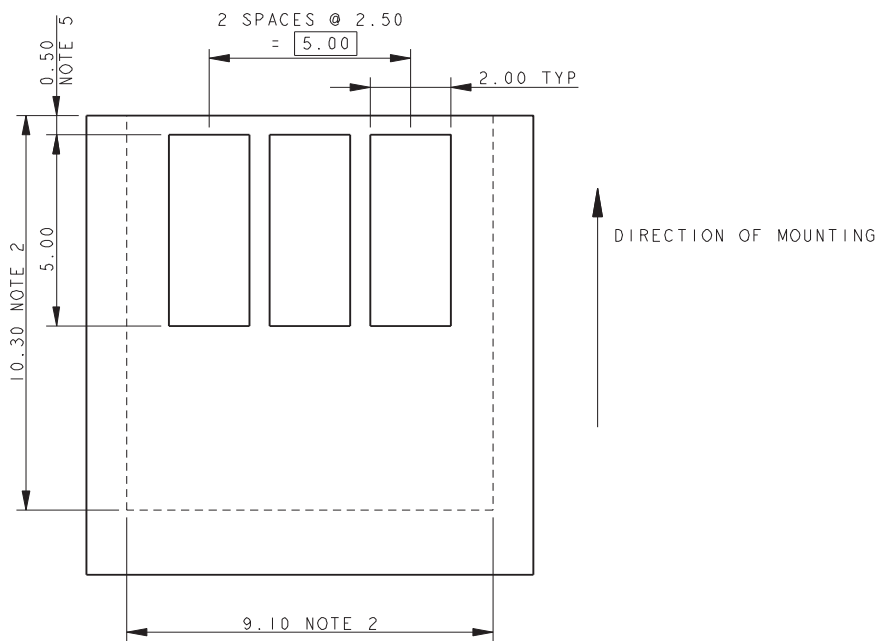
Ultra-Low Profile 2.5mm Pitch Battery

9155-100

LOW PROFILE MATING PADS



2 WAY MATING PADS



3 WAY MATING PADS

NOTES:

1. SUGGESTED MATING PADS FOR LOW PROFILE BATTERY CONNECTORS.
2. OUTLIE OF CONNECTOR.
3. PROFERED PLATING ON PADS GOLD OVER NICKEL.
4. REFERENCE DIMENSIONS.
5. DIMENSION TO EDGE OF BOARD FOR CONNECTORS WITH STOP.

X-ON Electronics

Largest Supplier of Electrical and Electronic Components

Click to view similar products for [Battery Contacts](#) category:

Click to view products by [Kyocera AVX](#) manufacturer:

Other Similar products are found below :

[3.5MM-UNIVERSAL-CONTACT](#) [120220-0311](#) [101267-209](#) [009155003001013](#) [RRC-MC21-90-10](#) [1011-1](#) [72](#) [1189](#) [120](#) [120220-0202](#)
[120220-0206](#) [1241](#) [120220-0204](#) [120220-0210](#) [117](#) [111](#) [497](#) [5203](#) [5219](#) [5225](#) [550](#) [553](#) [555](#) [556](#) [202-02970-00518](#) [009155002100006](#)
[009155002101006](#) [009155002201006](#) [009155002301006](#) [009155002401006](#) [009155002402006](#) [009155002541006](#) [009155002852006](#)
[009155003001016](#) [009155003002016](#) [009155003003016](#) [009155003100006](#) [009155003101006](#) [009155003201006](#) [009155003301006](#)
[009155003401006](#) [009155003402006](#) [009155003541006](#) [009155003852006](#) [009155004002016](#) [009155004003016](#) [009155004201006](#)
[009155004301006](#) [009155004401006](#) [009155004402006](#)