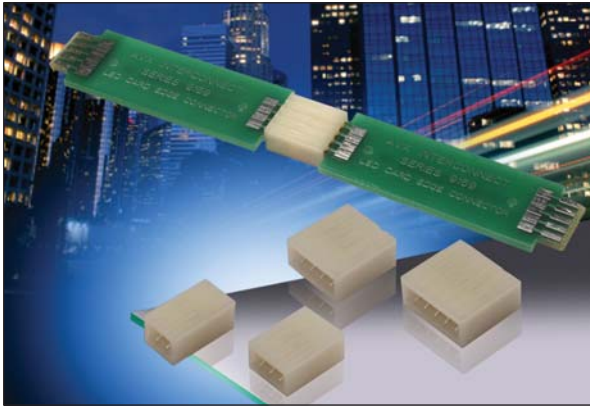


Standard Card Edge: BTB

00-9159



The 9159 series of Board-to-Board interconnect system allows two PCB's to be mated end-to-end creating strips of LED lighting. Designed specifically for the unique Solid State Lighting (SSL) market requiring coplanar (horizontal-to-horizontal) PCB mating. The 1-Piece Card Edge connector was developed to provide a reliable, low cost and simple means of connecting multiple PCB's together. The single stamped contact has dual contact beams to guarantee a high contact force on standard 1.6mm PCB's. These connectors are available in 2 through 5 positions and are on 2.0mm pitch centers to provide a 3 amp continuous rating.

APPLICATIONS

- Coplanar PCB mating in SSL products
- LED linear lighting strips

FEATURES AND BENEFITS

- Dual contacts provide positive contact force for enhanced reliability
- Mates with standard 1.6 ± 0.15 mm PCB on 2.0mm pad pitch
- 3 amp current rating for high current applications
- Available in white: supports SSL market preferences

ELECTRICAL

- Current Rating: 3 Amps / Contact
- Voltage Rating: 300 VAC

ENVIRONMENTAL

- Operating Temperature: -40°C to $+125^{\circ}\text{C}$

MECHANICAL

- Insulator Material: Nylon 46: UL94HB
- Contact Material: Phosphor Bronze
- Plating: Tin over Nickel
- Durability: 5 Cycles

HOW TO ORDER

00	9159	00X	0	01	9	1	X
Prefix	Series	Number of Ways	Single Part PCB Strip Connector	PCB Thickness 01 = 1.60 ± 0.15	Color Options 9 = UL	Packaging Options 1 = Bag (std)	Plating Option 6 = Pure Tin all over 1 = Gold Flash

Code	No of Ways	Details
002	2	Page 2
003	3	Page 3
004	4	Page 4
005	5	Page 5

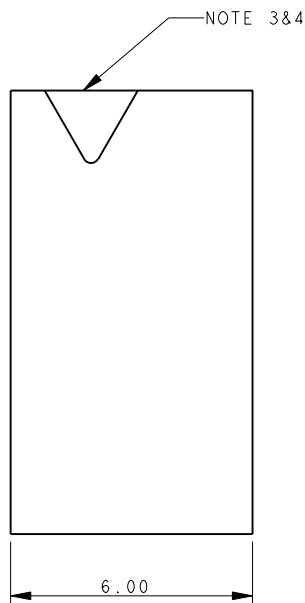
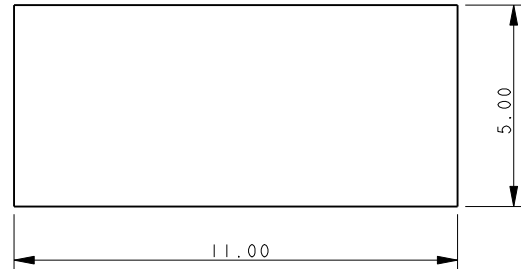
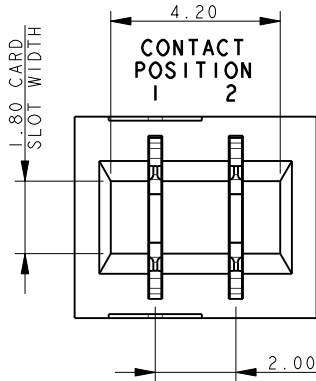
Certification: UL File #E90723



Standard Card Edge: BTB

00-9159

2 WAY SINGLE PART PCB STRIP CONNECTOR

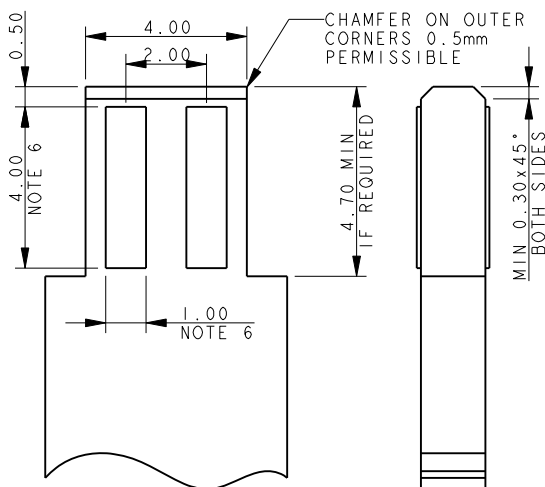


NOTES:

1. FOR MORE INFORMATION REFER TO PRODUCT SPEC 201-01-118.
2. DIMENSIONS ARE REFERENCE DIMENSIONS UNLESS TOLERANCED.
3. ARROW TO INDICATE CONTACT POSITION 1.
4. INSULATOR MATERIAL: NYLON 46, UL94 HB, COLOR SEE PAGE 1.
5. CONTACT MATERIAL: COPPER ALLOY, TIN PLATED ALL OVER, OR GOLD FLASH OVER TIN.
6. PCB PAD, TIN PLATED.

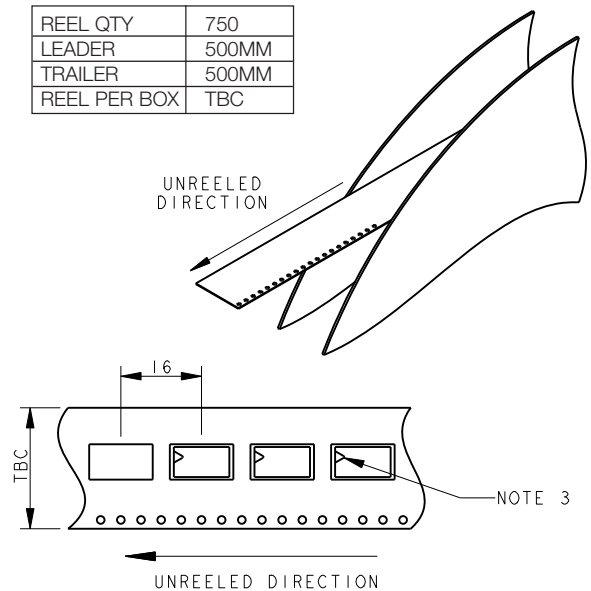
2 WAY PCB BOARD LAYOUT

THICKNESS 1.60 ± 0.15



PACKING DETAILS

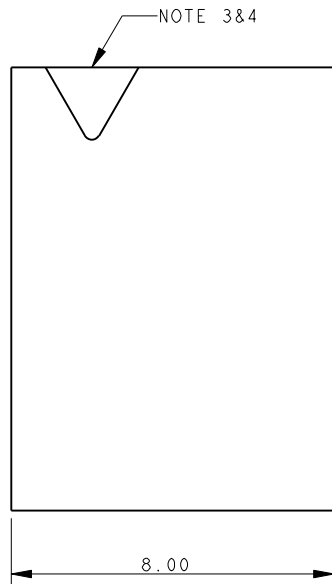
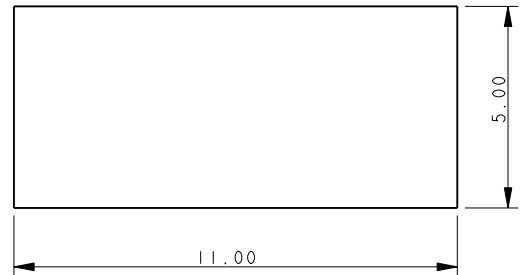
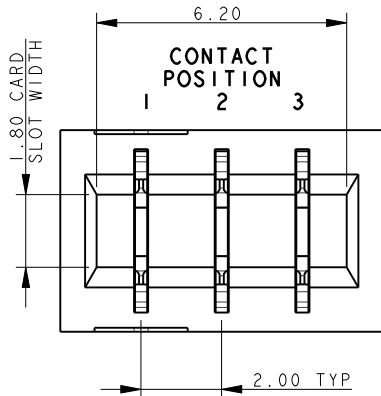
REEL QTY	750
LEADER	500MM
TRAILER	500MM
REEL PER BOX	TBC



Standard Card Edge: BTB

00-9159

3 WAY SINGLE PART PCB STRIP CONNECTOR

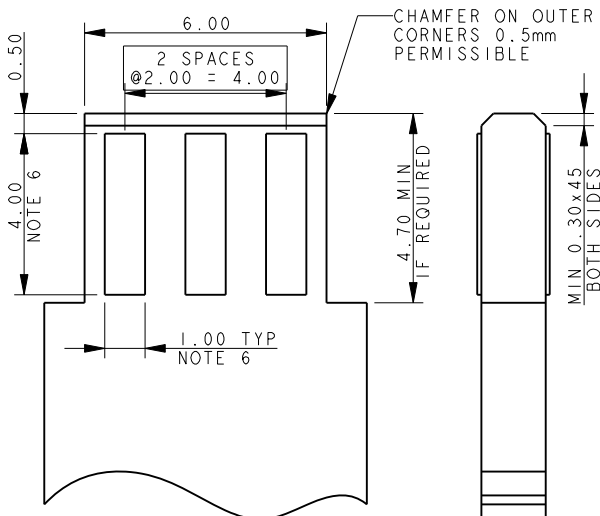


NOTES:

1. FOR MORE INFORMATION REFER TO PRODUCT SPEC 201-01-118.
2. DIMENSIONS ARE REFERENCE DIMENSIONS UNLESS TOLERANCED.
3. ARROW TO INDICATE CONTACT POSITION 1.
4. INSULATOR MATERIAL: NYLON 46, UL94 HB, COLOR SEE PAGE 1.
5. CONTACT MATERIAL: COPPER ALLOY, TIN PLATED ALL OVER, OR GOLD FLASH OVER TIN.
6. PCB PAD, TIN PLATED.

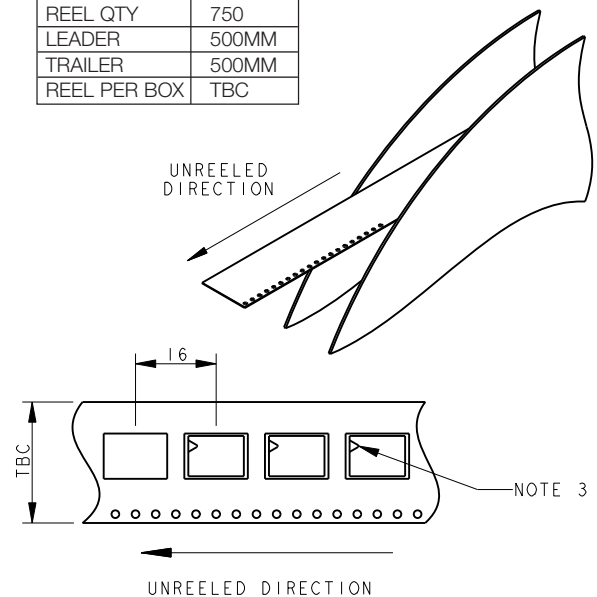
3 WAY PCB BOARD LAYOUT

THICKNESS 1.60 ± 0.15



PACKING DETAILS

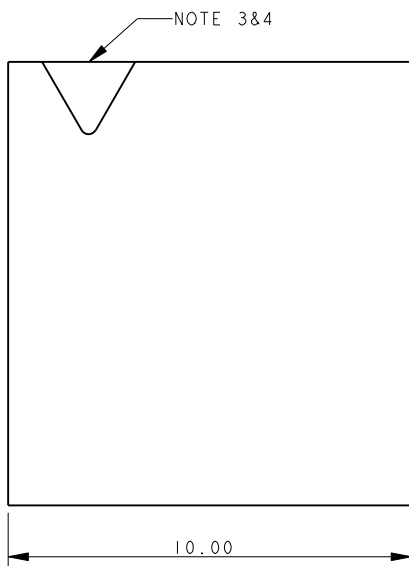
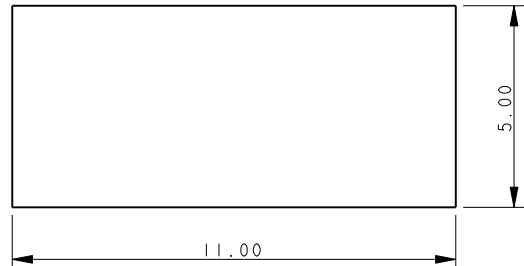
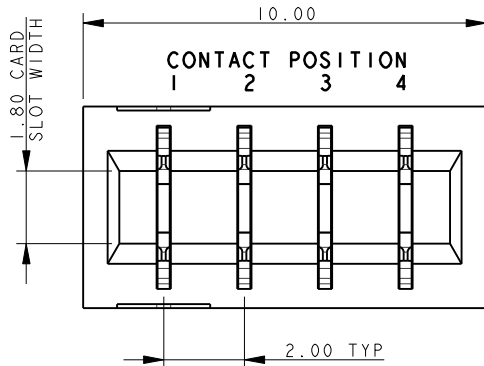
REEL QTY	750
LEADER	500MM
TRAILER	500MM
REEL PER BOX	TBC



Standard Card Edge: BTB

00-9159

4 WAY SINGLE PART PCB STRIP CONNECTOR

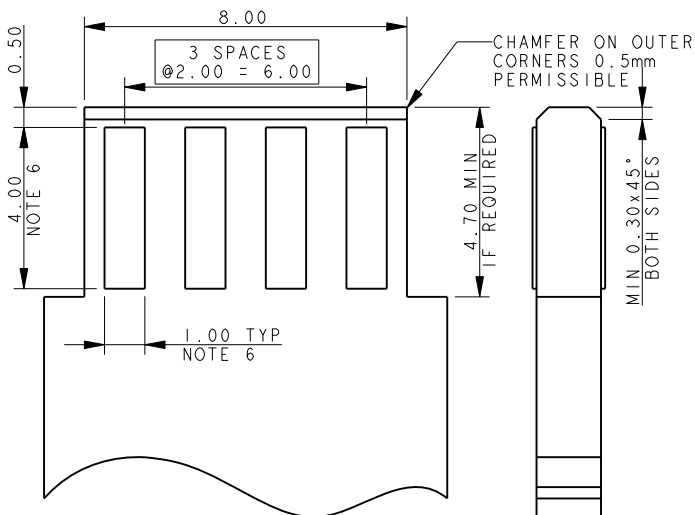


NOTES:

1. FOR MORE INFORMATION REFER TO PRODUCT SPEC 201-01-118.
2. DIMENSIONS ARE REFERENCE DIMENSIONS UNLESS TOLERANCED.
3. ARROW TO INDICATE CONTACT POSITION 1.
4. INSULATOR MATERIAL: NYLON 46, UL94 HB, COLOR SEE PAGE 1.
5. CONTACT MATERIAL: COPPER ALLOY, TIN PLATED ALL OVER, OR GOLD FLASH OVER TIN.
6. PCB PAD, TIN PLATED.

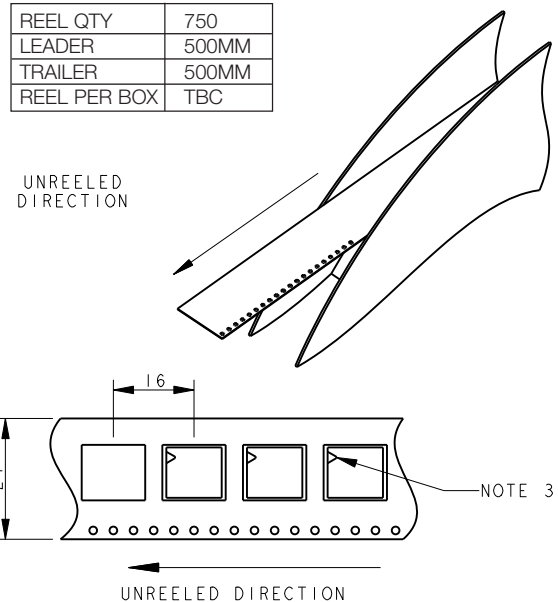
4 WAY PCB BOARD LAYOUT

THICKNESS 1.60 ± 0.15



PACKING DETAILS

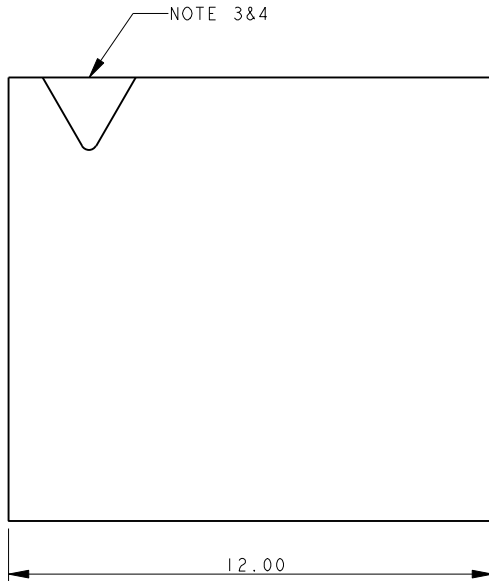
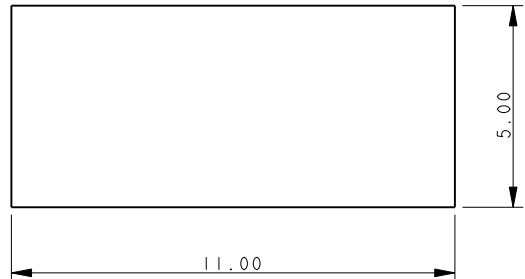
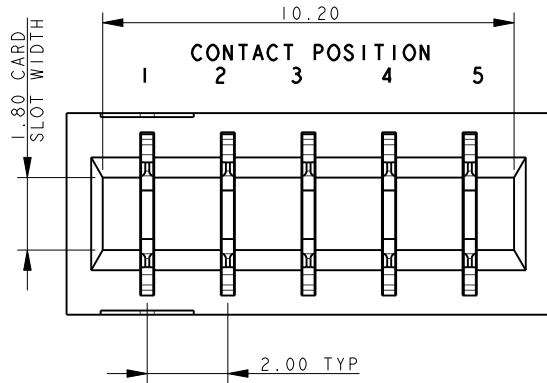
REEL QTY	750
LEADER	500MM
TRAILER	500MM
REEL PER BOX	TBC



Standard Card Edge: BTB

00-9159

5 WAY SINGLE PART PCB STRIP CONNECTOR

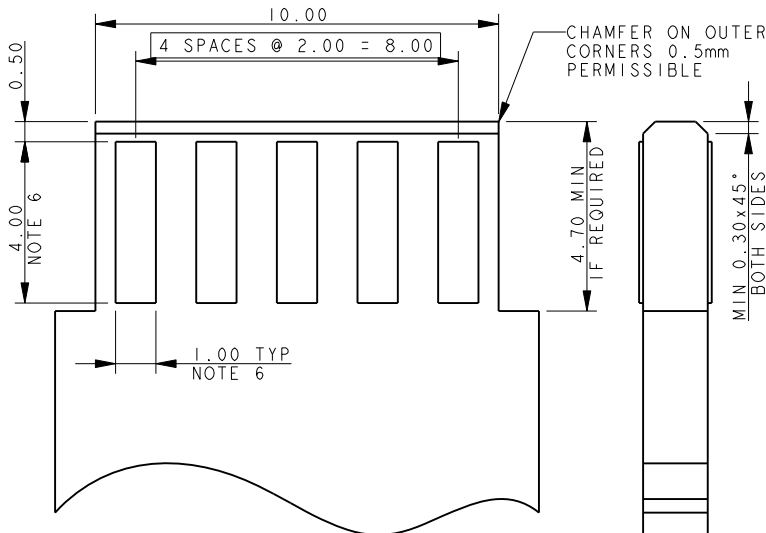


NOTES:

1. FOR MORE INFORMATION REFER TO PRODUCT SPEC 201-01-118.
2. DIMENSIONS ARE REFERENCE DIMENSIONS UNLESS TOLERANCED.
3. ARROW TO INDICATE CONTACT POSITION 1.
4. INSULATOR MATERIAL: NYLON 46, UL94 HB, COLOR SEE PAGE 1.
5. CONTACT MATERIAL: COPPER ALLOY, TIN PLATED ALL OVER, OR GOLD FLASH OVER TIN.
6. PCB PAD, TIN PLATED.

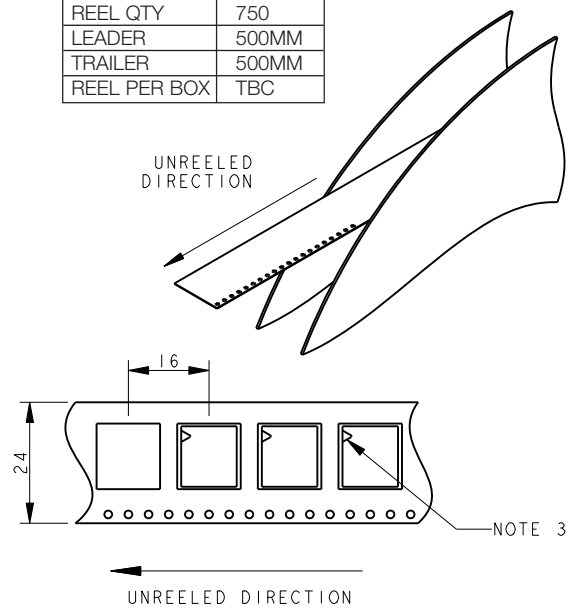
5 WAY PCB BOARD LAYOUT

THICKNESS 1.60 ± 0.15



PACKING DETAILS

REEL QTY	750
LEADER	500MM
TRAILER	500MM
REEL PER BOX	TBC



X-ON Electronics

Largest Supplier of Electrical and Electronic Components

Click to view similar products for [Board to Board & Mezzanine Connectors](#) category:

Click to view products by [Kyocera AVX](#) manufacturer:

Other Similar products are found below :

[589158040000018](#) [MDF7C-18P-2.54DSA\(55\)](#) [FCN-230C068-11](#) [FCN-268F012-G/BD](#) [FCN-268F036-G/BD](#) [FCN-268M012-G/0D](#) [FCN-268M024-G/1D](#) [FCN-723J004/1](#) [MIS-048-01-F-D-DP-K](#) [832-10-034-10-001000](#) [FX4C-80S-1.27DSA](#) [FCN-214Q030-G/0](#) [FCN-234P048-G/0](#) [FCN-235D050-G/C](#) [210-93-314-41-105000](#) [2-22603-0](#) [MDF7-40DP-2.54DSA\(55\)](#) [AXG720047](#) [5031084030](#) [MIT-114-03-F-D-K](#) [55323-1519](#) [DF33-2P-3.3DSA\(24\)](#) [YFT-20-05-H-03-SB-K](#) [503308-3040](#) [026-6203-PDB](#) [027-6203-PDB](#) [069159702701000](#) [10123981-102LF](#) [101A10019X](#) [55650-0588-C](#) [68684-306](#) [75140-7012](#) [194261-1](#) [FCN-268F024-G0D](#) [10124054-515LF](#) [68685-603](#) [8-1616154-3](#) [MIS-019-01-F-D](#) [541371078](#) [IL-WX-10PB-HF-B-E1000E](#) [FCN-268M024-G/3D](#) [20021832-06016C1LF](#) [KX15-20KLDL-E1000E](#) [MDF7-16DP-2.54DSA\(55\)](#) [AXE810124](#) [FCN-214J100-G/0](#) [FCN-230C068-E/S](#) [AXE812124](#) [AXE816124](#) [AXE720127](#)