

Capped 18-24 AWG: WTB

9176-700



The market and applications for simple and reliable discrete Wire-to-Board connectors continue to evolve. AVX first introduced the 9176 series of surface mountable Insulation Displacement Connectors (IDC) in 2007. Developed for harsh industrial and automotive applications, these connectors have been used in hundreds of applications from today's "Smart Meter" all the way down to a simple sensor termination to a PCB. Size and performance has been one of the key factors for selecting this connector in terminating 18-24AWG wires to a PCB.

The next generation of IDC connector moves beyond all of the technical and performance attributes to address the "User Friendliness" of the product. By changing the insulator from acting as a connector body and make it more like a contact carrier, the insulator becomes the wire location and insertion aid without any special tools. The wire is just inserted into the cap (no stripping required) and then pressed down to provide a secure "Gas Tight" termination. This configuration simplifies and cost reduces the entire wire termination process for connecting discrete wires to a PCB.

APPLICATIONS

- Connecting discrete wire components to a PCB
- Bringing power and signals onto a PCB
- Daisy chaining PCB's together to create a continuous string
- Reference Product Specification 201-01-140

FEATURES AND BENEFITS

- IDC contact provides a gas-tight connection to the PCB for long term reliability
- Plastic cap retains the contacts in position prior to automatic placement, then acts as the assembly tool to terminate the wires; no special tooling.
- Tested to automotive levels on shock, vibration and temperature cycling for reliability
- Identical contact and footprint pattern to the existing 9176 for full backward compatibility and functionality
- The IDC contact reduces the total applied cost versus solder or crimp processes
- Connectors are available in two configurations for maximum flexibility; End and Through Wire

ELECTRICAL

- Current Rating: 10 Amps / Contact
- Voltage Rating: 300 VAC

ENVIRONMENTAL

- Operating Temperature: -40°C to +125°C

MECHANICAL

- Insulator Material: Nylon UL94VO
- Contact Material: Phosphor Bronze
- Plating: Tin over Nickel

HOW TO ORDER

00 Prefix
9176 Series
00X Number of Ways
001 = 1
002 = 2
003 = 3

7XX Wire Gauge Size Capped - IDC Connector

| Code | Accepted Wire Gauge | Wire Insulation |
|------|---------------------------|-----------------|
| 701 | 18 AWG Stranded | Ø 1.6 - 2.1 |
| 711 | 20 AWG Solid and Stranded | Ø 1.6 - 2.1 |
| 722 | 22 AWG Solid and Stranded | Ø 1.1 - 1.6 |
| 732 | 24 AWG Solid and Stranded | Ø 1.1 - 1.6 |

X Insulator Color
All Sizes
9 = UL White (Standard)
8 = UL Black (Special Order)
One Way Only (Special Order)
2 = UL Brown
3 = UL Blue
4 = UL Yellow
5 = UL Red
6 = UL Green
7 = UL Orange

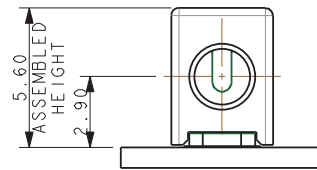
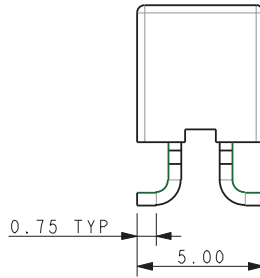
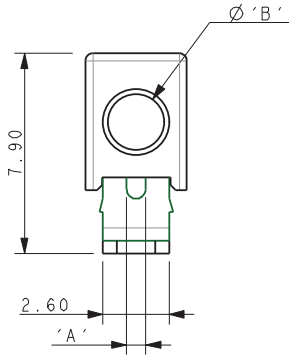
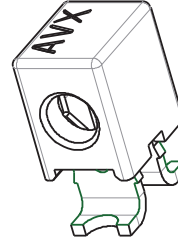
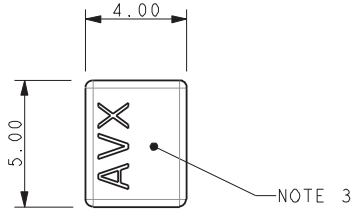
X Cap Options

| Code | Cap Option | Description | Detail |
|------|--------------|---|---------------|
| 0 | Through Wire | Allows wire to be terminated at any point | Pages 26 - 28 |
| 9 | Wire Stop | Terminates end of wire End Protected by stop face | Pages 29 - 31 |

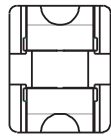
6 Plating Option
6 = Pure Tin all over

Certification: UL File #E90723

18 - 24 AWG 1 WAY IDC CONNECTOR THROUGH WIRE CAPPED IDC



MOUNTED ON PCB

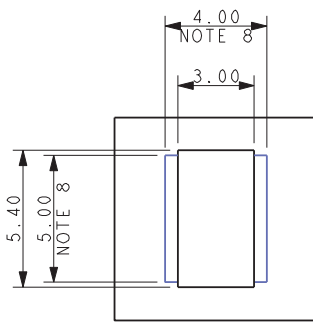


NOTES:

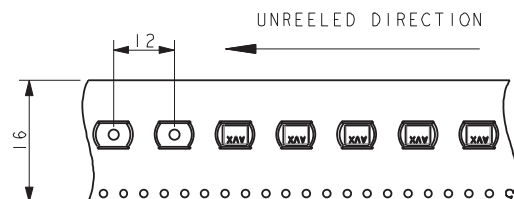
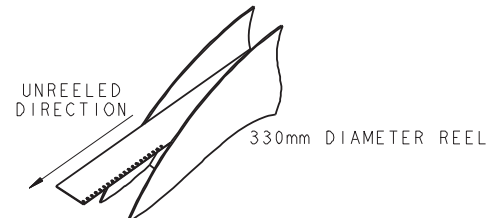
1. 1 WAY CONNECTOR FOR IDC WIRE TO BOARD CONNECTION. PRE-ASSEMBLED THROUGH WIRE CAP. CODE REFER TO PAGE 27.
2. CONTACT/CAP TO MATCH 20AWG-24AWG SOLID AND STRANDED WIRES, 18AWG WILL ONLY ACCEPT STRANDED WIRES, SEE TABLE.
3. FLAT FACE ON TOP OF CAP TO AID PICK AND PLACE ASSEMBLY.
4. FOR FULL PRODUCT SPECIFICATION ON STANDARD CONNECTORS REFER TO ELCO SPEC 201-01-138, UL COMPONENTS REFER TO ELCO SPEC 201-01-138UL.
5. ASSEMBLY PROCEDURE, REFER TO APPLICATION NOTES 201-01-140.
6. GENERAL TOLERANCE ± 0.20 UNLESS STATED.
7. PACKED IN TAPE AND REEL, QUANTITY PER REEL 600.
8. CONNECTOR OUTLINE.
9. CONTACT MATERIAL: TIN PLATED COPPER ALLOY.
10. INSULATION MATERIAL: HIGH TEMPERATURE NYLON, GLASS FILLED. UL94 V-0, COLOR REFER TO PAGE 27.
11. GENERAL TOLERANCE ± 0.20 UNLESS STATED.
12. FOR UL PRODUCT CODES UL REFERENCE E90723 (US AND CANADA).

| Code | Accepted Wire Gauge | A | Wire Insulation | B |
|------|---------------------------|------|-----------------------|-----|
| 701 | 18 AWG Stranded | 0.74 | \varnothing 1.6-2.1 | 2.1 |
| 711 | 20 AWG Solid and Stranded | 0.60 | \varnothing 1.6-2.1 | 2.1 |
| 722 | 22 AWG Solid and Stranded | 0.47 | \varnothing 1.1-1.6 | 1.6 |
| 732 | 24 AWG Solid and Stranded | 0.37 | \varnothing 1.1-1.6 | 1.6 |

PACKING DETAILS



SUGGEST PCB LAYOUT

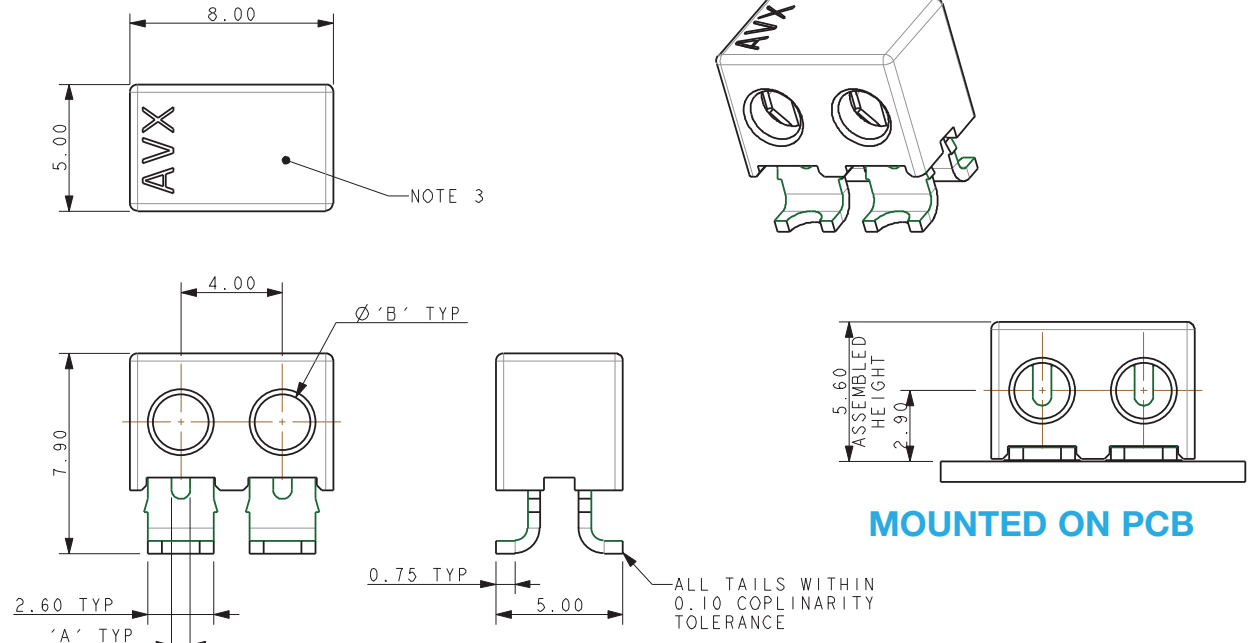


QUANTITY PER REEL 600

Capped 18-24 AWG: WTB

9176-700

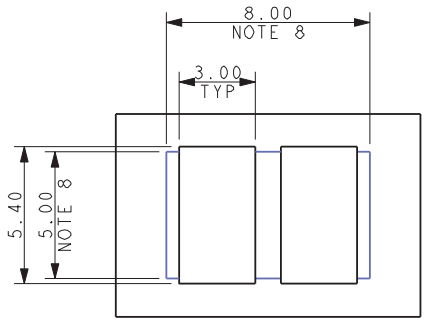
18 - 24 AWG 2 WAY IDC CONNECTOR THROUGH WIRE CAPPED IDC



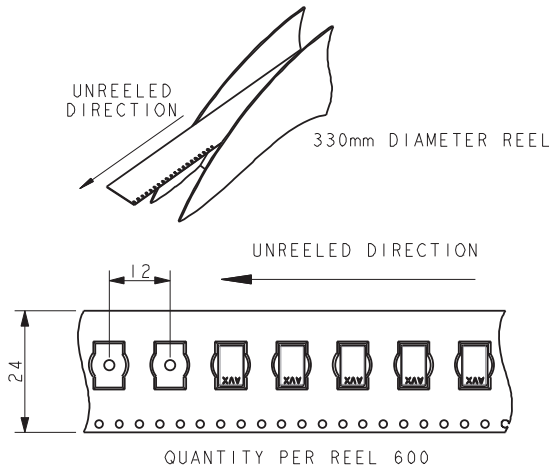
- NOTES:
- 2 WAY CONNECTOR FOR IDC WIRE TO BOARD CONNECTION. PRE-ASSEMBLED THROUGH WIRE CAP. CODE REFER TO PAGE 27.
 - CONTACT/CAP TO MATCH 20AWG-24AWG SOLID AND STRANDED WIRES, 18AWG WILL ONLY ACCEPT STRANDED WIRES, SEE TABLE.
 - FLAT FACE ON TOP OF CAP TO AID PICK AND PLACE ASSEMBLY.
 - FOR FULL PRODUCT SPECIFICATION ON STANDARD CONNECTORS REFER TO ELCO SPEC 201-01-138, UL COMPONENTS REFER TO ELCO SPEC 201-01-138UL.
 - ASSEMBLY PROCEDURE, REFER TO APPLICATION NOTES 201-01-140.
 - GENERAL TOLERANCE ± 0.20 UNLESS STATED.
 - PACKED IN TAPE AND REEL, QUANTITY PER REEL 600.
 - CONNECTOR OUTLINE.
 - CONTACT MATERIAL: TIN PLATED COPPER ALLOY.
 - INSULATION MATERIAL: HIGH TEMPERATURE NYLON, GLASS FILLED. UL94 V-0, COLOR REFER TO PAGE 27.
 - GENERAL TOLERANCE ± 0.20 UNLESS STATED.
 - FOR UL PRODUCT CODES UL REFERENCE E90723 (US AND CANADA).

| Code | Accepted Wire Gauge | A | Wire Insulation | B |
|------|---------------------------|------|-----------------------|-----|
| 701 | 18 AWG Stranded | 0.74 | \varnothing 1.6-2.1 | 2.1 |
| 711 | 20 AWG Solid and Stranded | 0.60 | \varnothing 1.6-2.1 | 2.1 |
| 722 | 22 AWG Solid and Stranded | 0.47 | \varnothing 1.1-1.6 | 1.6 |
| 732 | 24 AWG Solid and Stranded | 0.37 | \varnothing 1.1-1.6 | 1.6 |

PACKING DETAILS



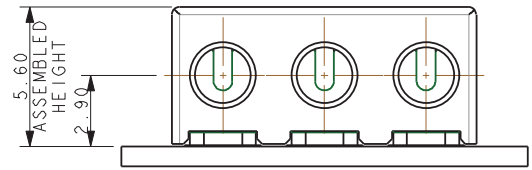
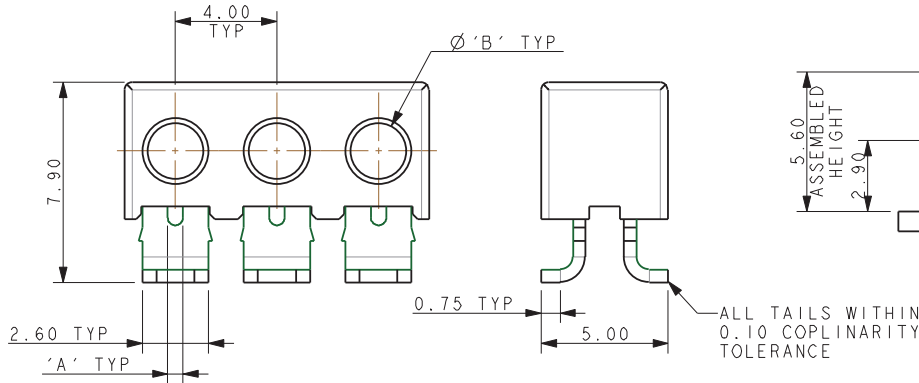
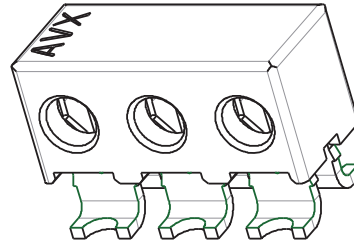
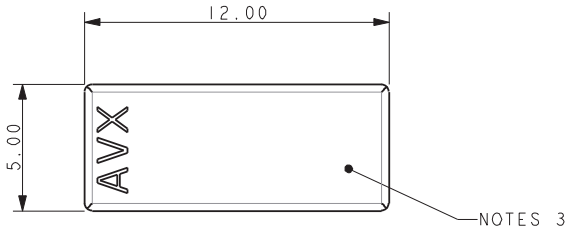
SUGGEST PCB LAYOUT



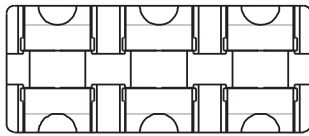
Capped 18-24 AWG: WTB

9176-700

18 - 24 AWG 3 WAY IDC CONNECTOR THROUGH WIRE CAPPED IDC



MOUNTED ON PCB

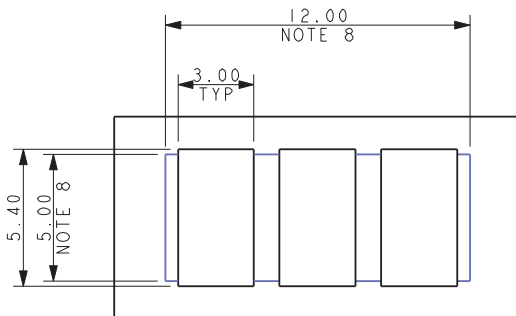


| Code | Accepted Wire Gauge | A | Wire Insulation | B |
|------|---------------------------|------|-----------------|-----|
| 701 | 18 AWG Stranded | 0.74 | Ø 1.6-2.1 | 2.1 |
| 711 | 20 AWG Solid and Stranded | 0.60 | Ø 1.6-2.1 | 2.1 |
| 722 | 22 AWG Solid and Stranded | 0.47 | Ø 1.1-1.6 | 1.6 |
| 732 | 24 AWG Solid and Stranded | 0.37 | Ø 1.1-1.6 | 1.6 |

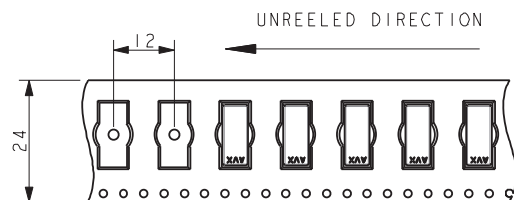
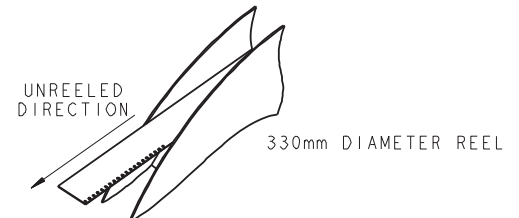
NOTES:

- 3 WAY CONNECTOR FOR IDC WIRE TO BOARD CONNECTION. PRE-ASSEMBLED THROUGH WIRE CAP, CODE REFER TO PAGE 27.
- CONTACT/CAP TO MATCH 20AWG-24AWG SOLID AND STRANDED WIRES, 18AWG WILL ONLY ACCEPT STRANDED WIRES, SEE TABLE.
- FLAT FACE ON TOP OF CAP TO AID PICK AND PLACE ASSEMBLY.
- FOR FULL PRODUCT SPECIFICATION ON STANDARD CONNECTORS REFER TO ELCO SPEC 201-01-138, UL COMPONENTS REFER TO ELCO SPEC 201-01-138UL.
- ASSEMBLY PROCEDURE, REFER TO APPLICATION NOTES 201-01-140.
- GENERAL TOLERANCE ± 0.20 UNLESS STATED.
- PACKED IN TAPE AND REEL, QUANTITY PER REEL 600.
- CONNECTOR OUTLINE.
- CONTACT MATERIAL: TIN PLATED COPPER ALLOY.
- INSULATION MATERIAL: HIGH TEMPERATURE NYLON, GLASS FILLED. UL94 V-0, COLOR REFER TO PAGE 27.
- GENERAL TOLERANCE ± 0.20 UNLESS STATED.
- FOR UL PRODUCT CODES UL REFERENCE E90723 (US AND CANADA).

PACKING DETAILS

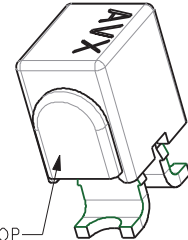
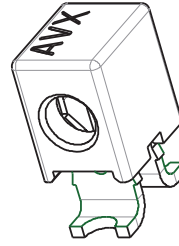
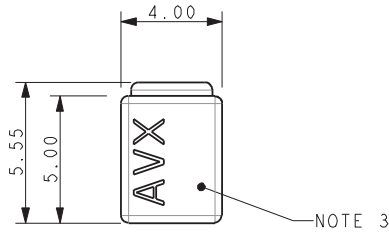


SUGGEST PCB LAYOUT

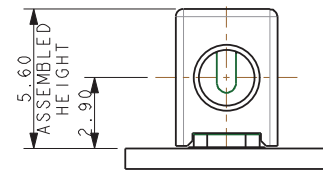
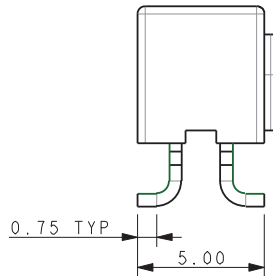
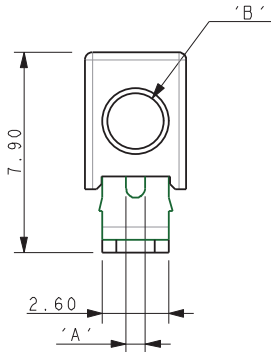


QUANTITY PER REEL 600

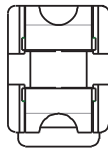
18 - 24 AWG 1 WAY IDC CONNECTOR WIRE STOP CAPPED IDC



WIRE STOP
NOTE 11



MOUNTED ON PCB

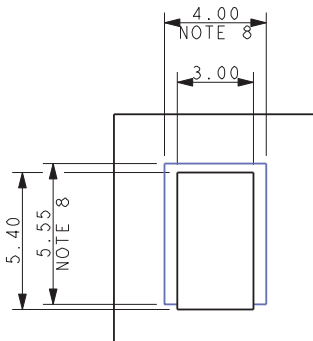


NOTES:

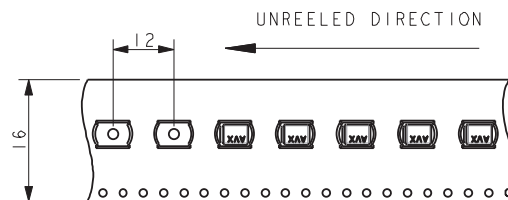
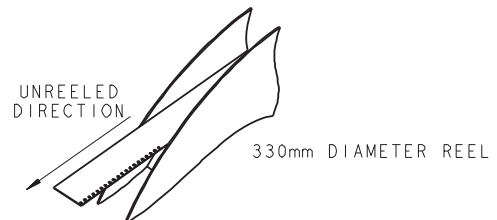
1. 1 WAY CONNECTOR FOR IDC WIRE TO BOARD CONNECTION. PRE-ASSEMBLED WIRE STOP CAP, CODE REFER TO PAGE 27.
2. CONTACT/CAP TO MATCH 20AWG-24AWG SOLID AND STRANDED WIRES, 18AWG WILL ONLY ACCEPT STRANDED WIRES, SEE TABLE.
3. FLAT FACE ON TOP OF CAP TO AID PICK AND PLACE ASSEMBLY.
4. FOR FULL PRODUCT SPECIFICATION ON STANDARD CONNECTORS REFER TO ELCO SPEC 201-01-138, UL COMPONENTS REFER TO ELCO SPEC 201-01-138UL.
5. ASSEMBLY PROCEDURE, REFER TO APPLICATION NOTES 201-01-140.
6. GENERAL TOLERANCE ± 0.20 UNLESS STATED.
7. PACKED IN TAPE AND REEL, QUANTITY PER REEL 600.
8. CONNECTOR OUTLINE.
9. CONTACT MATERIAL: TIN PLATED COPPER ALLOY.
10. INSULATION MATERIAL: HIGH TEMPERATURE NYLON, GLASS FILLED. UL94 V-0, COLOR REFER TO PAGE 27.
11. GENERAL TOLERANCE ± 0.20 UNLESS STATED.
12. FOR UL PRODUCT CODES UL REFERENCE E90723 (US AND CANADA).

| Code | Accepted Wire Gauge | A | Wire Insulation | B |
|------|---------------------------|------|-----------------|-----|
| 701 | 18 AWG Stranded | 0.74 | Ø 1.6-2.1 | 2.1 |
| 711 | 20 AWG Solid and Stranded | 0.60 | Ø 1.6-2.1 | 2.1 |
| 722 | 22 AWG Solid and Stranded | 0.47 | Ø 1.1-1.6 | 1.6 |
| 732 | 24 AWG Solid and Stranded | 0.37 | Ø 1.1-1.6 | 1.6 |

PACKING DETAILS



SUGGEST PCB LAYOUT

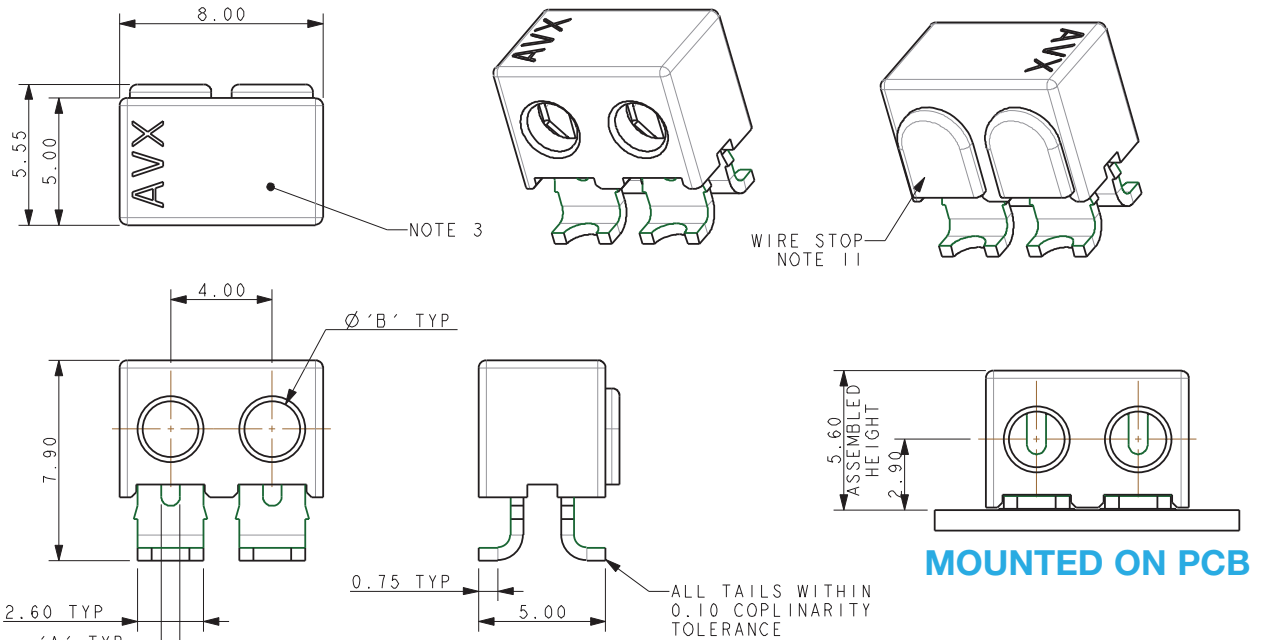


QUANTITY PER REEL 600

Capped 18-24 AWG: WTB

9176-700

18 - 24 AWG 2 WAY IDC CONNECTOR WIRE STOP CAPPED IDC



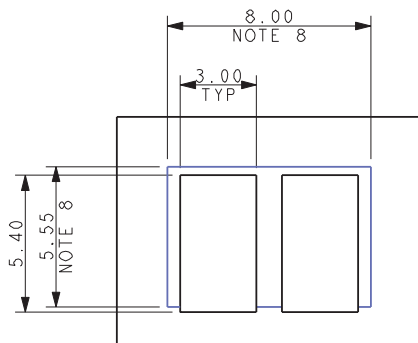
MOUNTED ON PCB

NOTES:

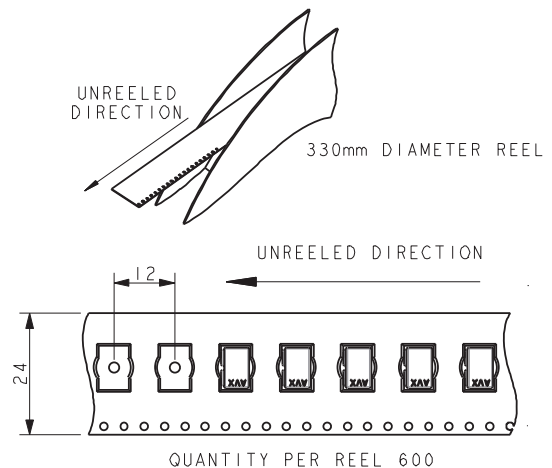
- 2 WAY CONNECTOR FOR IDC WIRE TO BOARD CONNECTION. PRE-ASSEMBLED WIRE STOP CAP, CODE REFER TO PAGE 27.
- CONTACT/CAP TO MATCH 20AWG-24AWG SOLID AND STRANDED WIRES, 18AWG WILL ONLY ACCEPT STRANDED WIRES, SEE TABLE.
- FLAT FACE ON TOP OF CAP TO AID PICK AND PLACE ASSEMBLY.
- FOR FULL PRODUCT SPECIFICATION ON STANDARD CONNECTORS REFER TO ELCO SPEC 201-01-138, UL COMPONENTS REFER TO ELCO SPEC 201-01-138UL.
- ASSEMBLY PROCEDURE, REFER TO APPLICATION NOTES 201-01-140.
- GENERAL TOLERANCE ± 0.20 UNLESS STATED.
- PACKED IN TAPE AND REEL, QUANTITY PER REEL 600.
- CONNECTOR OUTLINE.
- CONTACT MATERIAL: TIN PLATED COPPER ALLOY.
- INSULATION MATERIAL: HIGH TEMPERATURE NYLON, GLASS FILLED. UL94 V-0, COLOR REFER TO PAGE 27.
- GENERAL TOLERANCE ± 0.20 UNLESS STATED.
- FOR UL PRODUCT CODES UL REFERENCE E90723 (US AND CANADA).

| Code | Accepted Wire Gauge | A | Wire Insulation | B |
|------|---------------------------|------|-----------------------|-----|
| 701 | 18 AWG Stranded | 0.74 | \varnothing 1.6-2.1 | 2.1 |
| 711 | 20 AWG Solid and Stranded | 0.60 | \varnothing 1.6-2.1 | 2.1 |
| 722 | 22 AWG Solid and Stranded | 0.47 | \varnothing 1.1-1.6 | 1.6 |
| 732 | 24 AWG Solid and Stranded | 0.37 | \varnothing 1.1-1.6 | 1.6 |

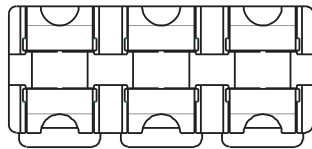
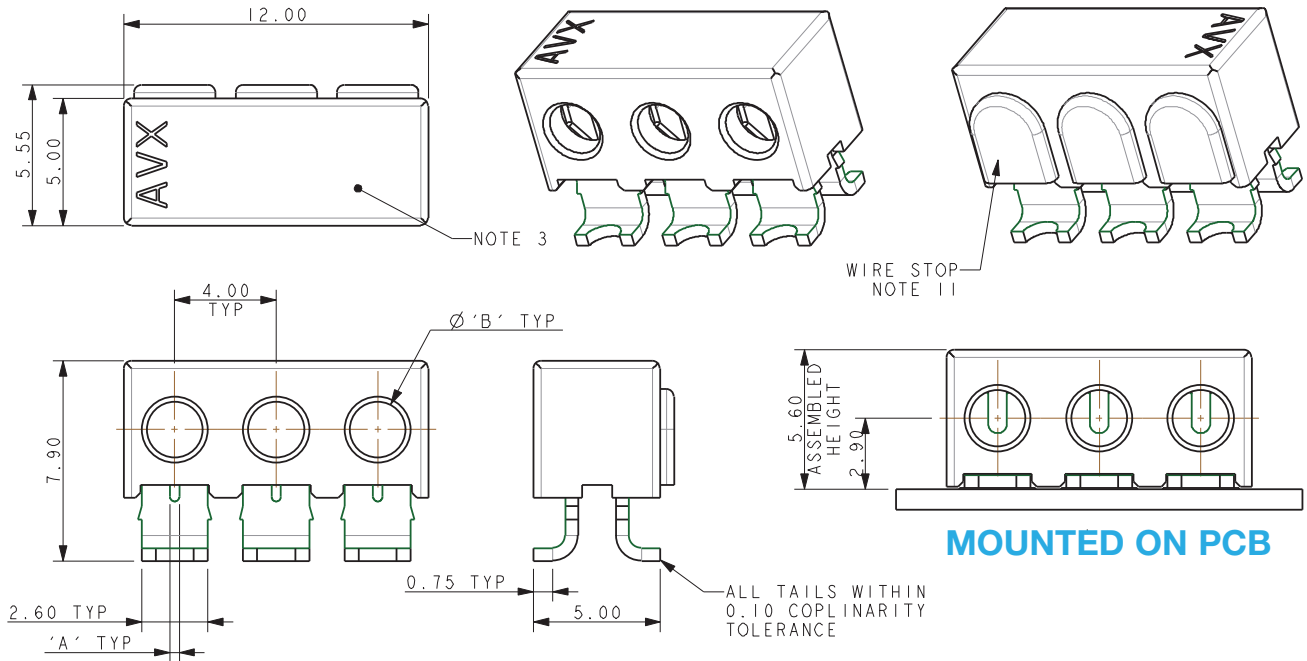
PACKING DETAILS



SUGGEST PCB LAYOUT



18 - 24 AWG 3 WAY IDC CONNECTOR WIRE STOP CAPPED IDC

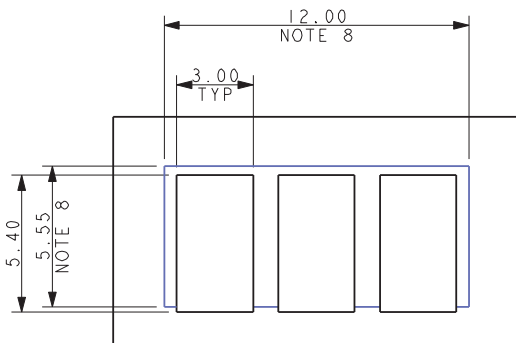


| Code | Accepted Wire Gauge | A | Wire Insulation | B |
|------|---------------------------|------|-----------------|-----|
| 701 | 18 AWG Stranded | 0.74 | Ø 1.6-2.1 | 2.1 |
| 711 | 20 AWG Solid and Stranded | 0.60 | Ø 1.6-2.1 | 2.1 |
| 722 | 22 AWG Solid and Stranded | 0.47 | Ø 1.1-1.6 | 1.6 |
| 732 | 24 AWG Solid and Stranded | 0.37 | Ø 1.1-1.6 | 1.6 |

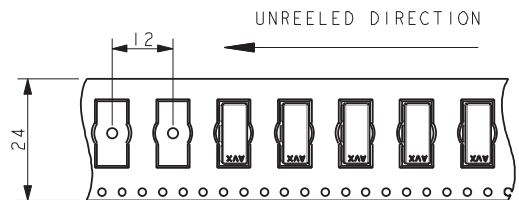
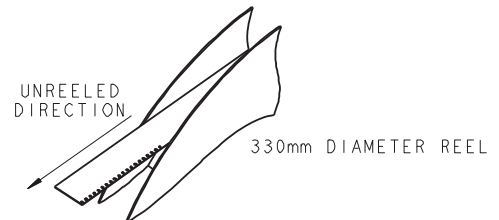
NOTES:

- 3 WAY CONNECTOR FOR IDC WIRE TO BOARD CONNECTION. PRE-ASSEMBLED WIRE STOP CAP, CODE REFER TO PAGE 27.
- CONTACT/CAP TO MATCH 20AWG-24AWG SOLID AND STRANDED WIRES, 18AWG WILL ONLY ACCEPT STRANDED WIRES, SEE TABLE.
- FLAT FACE ON TOP OF CAP TO AID PICK AND PLACE ASSEMBLY.
- FOR FULL PRODUCT SPECIFICATION ON STANDARD CONNECTORS REFER TO ELCO SPEC 201-01-138, UL COMPONENTS REFER TO ELCO SPEC 201-01-138UL.
- ASSEMBLY PROCEDURE, REFER TO APPLICATION NOTES 201-01-140.
- GENERAL TOLERANCE ± 0.20 UNLESS STATED.
- PACKED IN TAPE AND REEL, QUANTITY PER REEL 600.
- CONNECTOR OUTLINE.
- CONTACT MATERIAL: TIN PLATED COPPER ALLOY.
- INSULATION MATERIAL: HIGH TEMPERATURE NYLON, GLASS FILLED. UL94 V-0, COLOR REFER TO PAGE 27.
- GENERAL TOLERANCE ± 0.20 UNLESS STATED.
- FOR UL PRODUCT CODES UL REFERENCE E90723 (US AND CANADA).

PACKING DETAILS

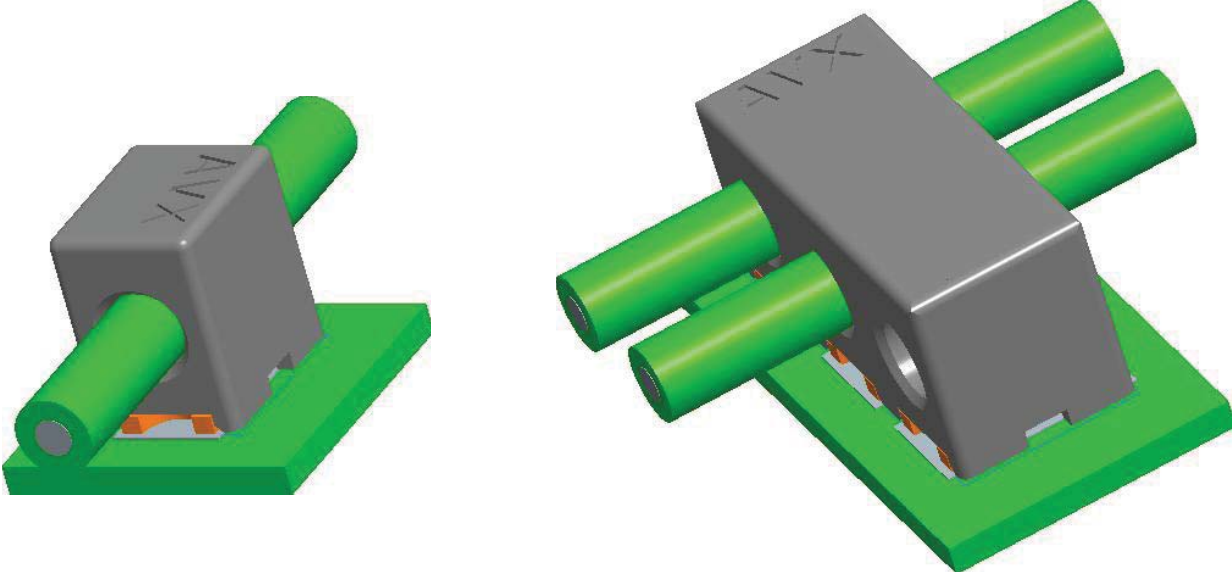


SUGGEST PCB LAYOUT

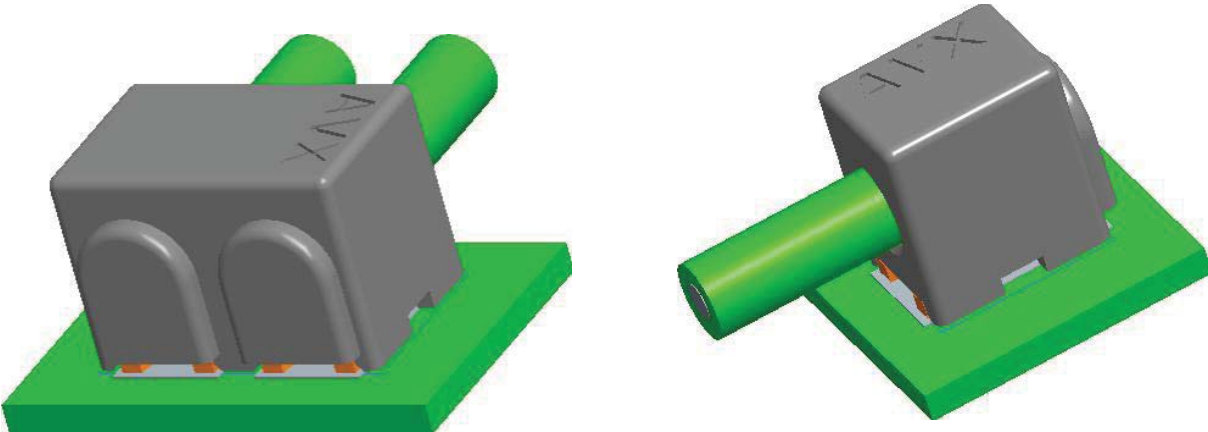


QUANTITY PER REEL 600

18-24 AWG ASSEMBLED CAPPED IDC CONNECTORS



TYPICAL THROUGH WIRE ASSEMBLY



TYPICAL WIRE STOP ASSEMBLY

X-ON Electronics

Largest Supplier of Electrical and Electronic Components

Click to view similar products for [Headers & Wire Housings](#) category:

Click to view products by [Kyocera AVX](#) manufacturer:

Other Similar products are found below :

[892-18-020-10-001101](#) [58102-G61-06LF](#) [582553-1](#) [0009485154](#) [009176003701906](#) [0050291907](#) [LY20-4P-DT1-P1E-BR](#) [02.125.8002.8](#)
[609-3404](#) [61062-3](#) [61082-181009](#) [622-3653LF](#) [63453-116](#) [636-1030](#) [636-1427](#) [636-3427](#) [636-4007](#) [641938-9](#) [641991-4](#) [644827-2](#) [65817-](#)
[010LF](#) [65817-015LF](#) [65863-015LF](#) [66207-023LF](#) [67095-007LF](#) [67601157](#) [68645-018](#) [68648-049](#) [70.362.1628.0](#) [70-4210](#) [70-4226B](#) [70-](#)
[4853B](#) [707-5020](#) [707-5028](#) [71.350.2428.0](#) [71918-208LF](#) [71961-016LF](#) [733-134](#) [733-162](#) [754199-000](#) [760-3052](#) [79531-3000](#) [FCN-](#)
[360C032-B](#) [FCN-367T-T012/H](#) [FCN-723D010/2](#) [80.063.4001.1](#) [800-90-010-10-002000](#) [801-43-002-10-013000](#) [801-43-006-10-002000](#)
[801-93-011-10-001000](#)