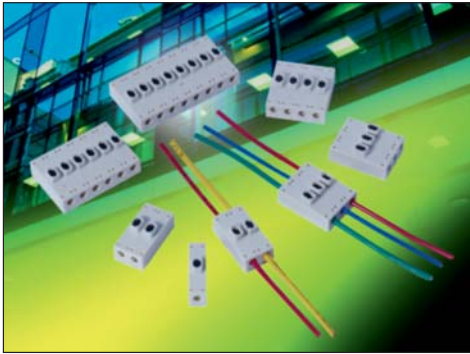


# Poke Home – Thru-Wire



## Series 9286



Wire-to-Wire connectors have been used in the industrial market for years with traditional 2-Piece (plug and socket) connector systems which require crimp and poke wire terminations to connect electrical or electronic components. In the general wiring market (2-3 wires) there are a number of connector styles available, however, they are limited in sizes, expanded wire gauges and the ability to reuse them when repair or replacement is needed. Based on the existing success of “Poke Home” wire-to-board connectors, AVX has developed a new family of wire-to-wire connectors to meet the cost, flexibility and ease-of-use targets in industrial wiring applications.

The 9286 series of Thru-Wire connectors provides a high spring force Beryllium Copper contact system that uses simple push button activation to insert and remove individual stripped wires in the connection process. There is a forward and aft shrouded (to prevent accidental activation) push button for each wire connection that can be operated individually or simultaneously with a simple plastic tool or ball point pen tip. Up to eight wires can be electrically connected in a single connector body which will support any combination of wire gauges from 18AWG up to 26 AWG. Wires can be removed or replaced up to 5 times so there is no need to replace the connector in a new installation.

### APPLICATIONS

- Industrial/Machine Control; motors, solenoids, PLC’s, pumps, valves, sensors, fans...
- Commercial/Building; fixtures, fire, security, surveillance, blinds, sensors, controls...
- Commercial/Industrial LED; retail, office, manufacturing, signage, displays...
- Application notes; refer to 201-01-135

### FEATURES AND BENEFITS

- High spring force top contact provides a lance type retention to capture and retain the wire
- Shrouded dual push button activation for easy wire insertion/removal
- Accepts 18-26AWG Solid and Stranded wires; any combination
- Expanded size offering to maximize application potential; 1, 2, 3, 4, 6 & 8 positions
- Optional mounting tape to secure in panel mounting applications
- Molded in position numbers and schematic for easy identification

### ELECTRICAL

- Current Rating: 8 Amps / Contact
- Voltage Rating: 300 VAC

### ENVIRONMENTAL

- Operating Temperature: -40°C to +125°C

### MECHANICAL

- Insulator Material: Glass-Filled Nylon 46; UL94V0
- Contact Material: Beryllium Copper / Phosphor Bronze
- Plating: Tin over Nickel
- Replacibility: 5 Cycles

### HOW TO ORDER

| <b>00</b> | <b>9286</b> | <b>00X</b>  |      |            |         |     |   |        |     |   |        |     |   |        |     |   |        |     |   |        |     |   |        |
|-----------|-------------|---|------|------------|---------|-----|---|--------|-----|---|--------|-----|---|--------|-----|---|--------|-----|---|--------|-----|---|--------|
| Prefix    | Series      | Number of Ways  |      |            |         |     |   |        |     |   |        |     |   |        |     |   |        |     |   |        |     |   |        |
|           |             | <table border="1"> <thead> <tr> <th>Code</th> <th>No of Ways</th> <th>Details</th> </tr> </thead> <tbody> <tr> <td>001</td> <td>1</td> <td>Page 2</td> </tr> <tr> <td>002</td> <td>2</td> <td>Page 3</td> </tr> <tr> <td>003</td> <td>3</td> <td>Page 4</td> </tr> <tr> <td>004</td> <td>4</td> <td>Page 5</td> </tr> <tr> <td>006</td> <td>6</td> <td>Page 6</td> </tr> <tr> <td>008</td> <td>8</td> <td>Page 7</td> </tr> </tbody> </table> | Code | No of Ways | Details | 001 | 1 | Page 2 | 002 | 2 | Page 3 | 003 | 3 | Page 4 | 004 | 4 | Page 5 | 006 | 6 | Page 6 | 008 | 8 | Page 7 |
| Code      | No of Ways  | Details   |      |            |         |     |   |        |     |   |        |     |   |        |     |   |        |     |   |        |     |   |        |
| 001       | 1           | Page 2  |      |            |         |     |   |        |     |   |        |     |   |        |     |   |        |     |   |        |     |   |        |
| 002       | 2           | Page 3  |      |            |         |     |   |        |     |   |        |     |   |        |     |   |        |     |   |        |     |   |        |
| 003       | 3           | Page 4  |      |            |         |     |   |        |     |   |        |     |   |        |     |   |        |     |   |        |     |   |        |
| 004       | 4           | Page 5  |      |            |         |     |   |        |     |   |        |     |   |        |     |   |        |     |   |        |     |   |        |
| 006       | 6           | Page 6  |      |            |         |     |   |        |     |   |        |     |   |        |     |   |        |     |   |        |     |   |        |
| 008       | 8           | Page 7  |      |            |         |     |   |        |     |   |        |     |   |        |     |   |        |     |   |        |     |   |        |

|      | <b>021</b>  |                 |                 |               |                |     |              |                 |                 |
|------|---|-----------------|-----------------|---------------|----------------|-----|--------------|-----------------|-----------------|
|      | Wire Size   |                 |                 |               |                |     |              |                 |                 |
|      | <table border="1"> <thead> <tr> <th>Code</th> <th>Wire Gauge</th> <th>Max Conductor</th> <th>Max Insulation</th> </tr> </thead> <tbody> <tr> <td>021</td> <td>18 to 26 AWG</td> <td>1.05mm Diameter</td> <td>2.10mm Diameter</td> </tr> </tbody> </table> | Code            | Wire Gauge      | Max Conductor | Max Insulation | 021 | 18 to 26 AWG | 1.05mm Diameter | 2.10mm Diameter |
| Code | Wire Gauge  | Max Conductor   | Max Insulation  |               |                |     |              |                 |                 |
| 021  | 18 to 26 AWG  | 1.05mm Diameter | 2.10mm Diameter |               |                |     |              |                 |                 |

**9**  
Color Options  
9 = UL White

**06**  
Plating Option  
06 = Pure Tin all over



Certification: UL File #E90723

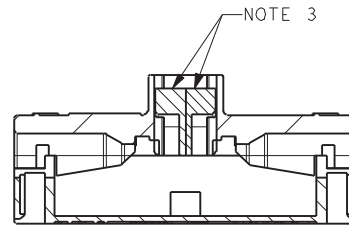
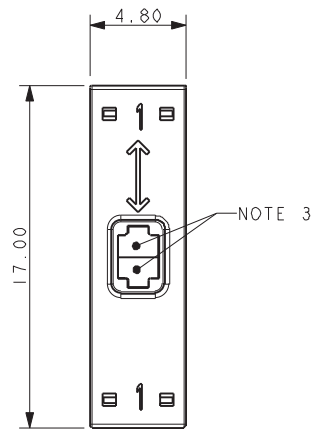


# Poke Home – Thru-Wire

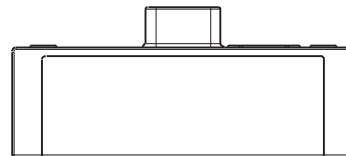
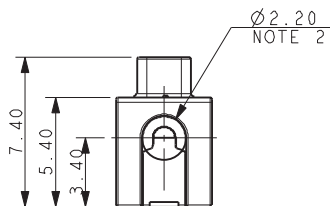


Series 9286

## 18-26 AWG 1 WAY POKE HOME – THRU WIRE



SECTION ON A-A



NOTE 8

### PACKING DETAILS

Pack 400 pieces in a clear plastic bag.

#### NOTES:

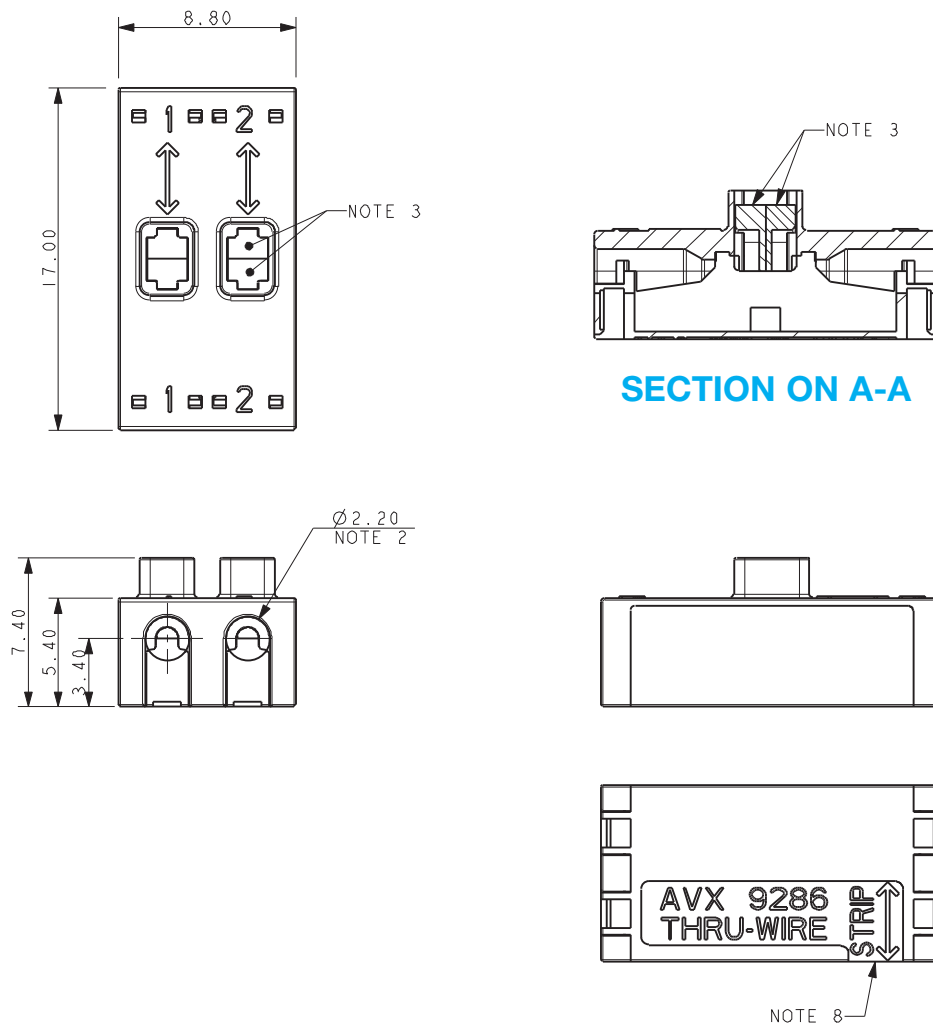
1. 1 WAY WIRE TO WIRE "POKE HOME" CONNECTOR, BUTTON OPERATED.
2. WIRE SIZES 18-26 AWG, MAXIMUM INSULATION DIAMETER 2.10MM.
3. SPLIT BUTTON ALLOWS THE WIRES TO BE INSERTED/WITHDRAWN INDEPENDENTLY.
4. INSULATION MATERIAL: NYLON 46, GLASS FILLED, UL94 V-0. COLOR SEE PAGE 1.
5. CONTACT MATERIAL: TIN PLATED COPPER ALLOY.
6. FOR FULL SPECIFICATION REFER TO ELCO SPECIFICATION 201-01-132.  
FOR APPLICATION NOTES REFER TO ELCO SPECIFICATION 201-01-135.
7. GENERAL TOLERANCE  $\pm 0.20$ MM.
8. WIRE STRIP LENGTH GUIDE, SEE PAGE 8.
9. ADHESIVE STRIP FOR PANEL MOUNTING REFER TO PAGE 9.
10. FOR UL PRODUCT CODES UL REFERENCE E90723 (US AND CANADA).

# Poke Home – Thru-Wire



Series 9286

## 18-26 AWG 2 WAY POKE HOME – THRU WIRE



### PACKING DETAILS

Pack 400 pieces in a clear plastic bag.

#### NOTES:

1. 2 WAY WIRE TO WIRE "POKE HOME" CONNECTOR, BUTTON OPERATED.
2. WIRE SIZES 18-26 AWG, MAXIMUM INSULATION DIAMETER 2.10MM.
3. SPLIT BUTTON ALLOWS THE WIRES TO BE INSERTED/WITHDRAWN INDEPENDENTLY.
4. INSULATION MATERIAL: NYLON 46, GLASS FILLED, UL94 V-0. COLOR SEE PAGE 1.
5. CONTACT MATERIAL: TIN PLATED COPPER ALLOY.
6. FOR FULL SPECIFICATION REFER TO ELCO SPECIFICATION 201-01-132.  
FOR APPLICATION NOTES REFER TO ELCO SPECIFICATION 201-01-135.
7. GENERAL TOLERANCE  $\pm 0.20$ MM.
8. WIRE STRIP LENGTH GUIDE, SEE PAGE 8.
9. ADHESIVE STRIP FOR PANEL MOUNTING REFER TO PAGE 9.
10. FOR UL PRODUCT CODES UL REFERENCE E90723 (US AND CANADA).

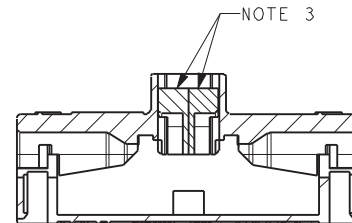
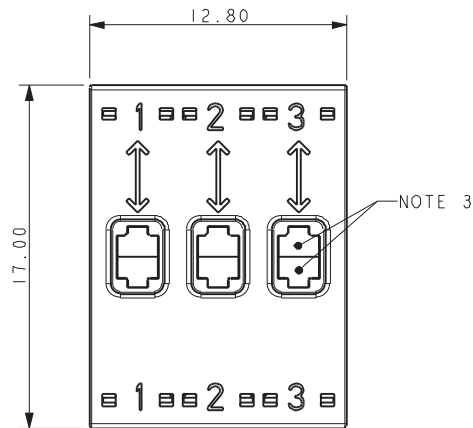


# Poke Home – Thru-Wire

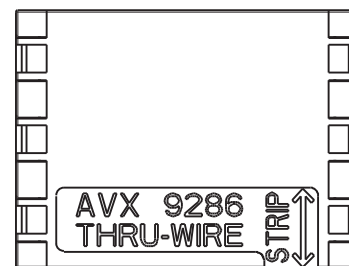
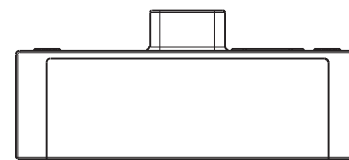
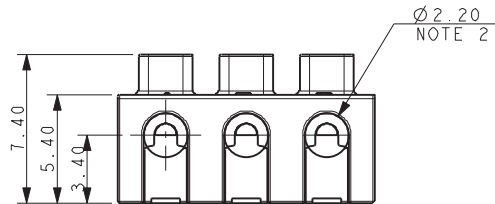


Series 9286

## 18-26 AWG 3 WAY POKE HOME – THRU WIRE



SECTION ON A-A



NOTE 8

### PACKING DETAILS

Pack 400 pieces in a clear plastic bag.

#### NOTES:

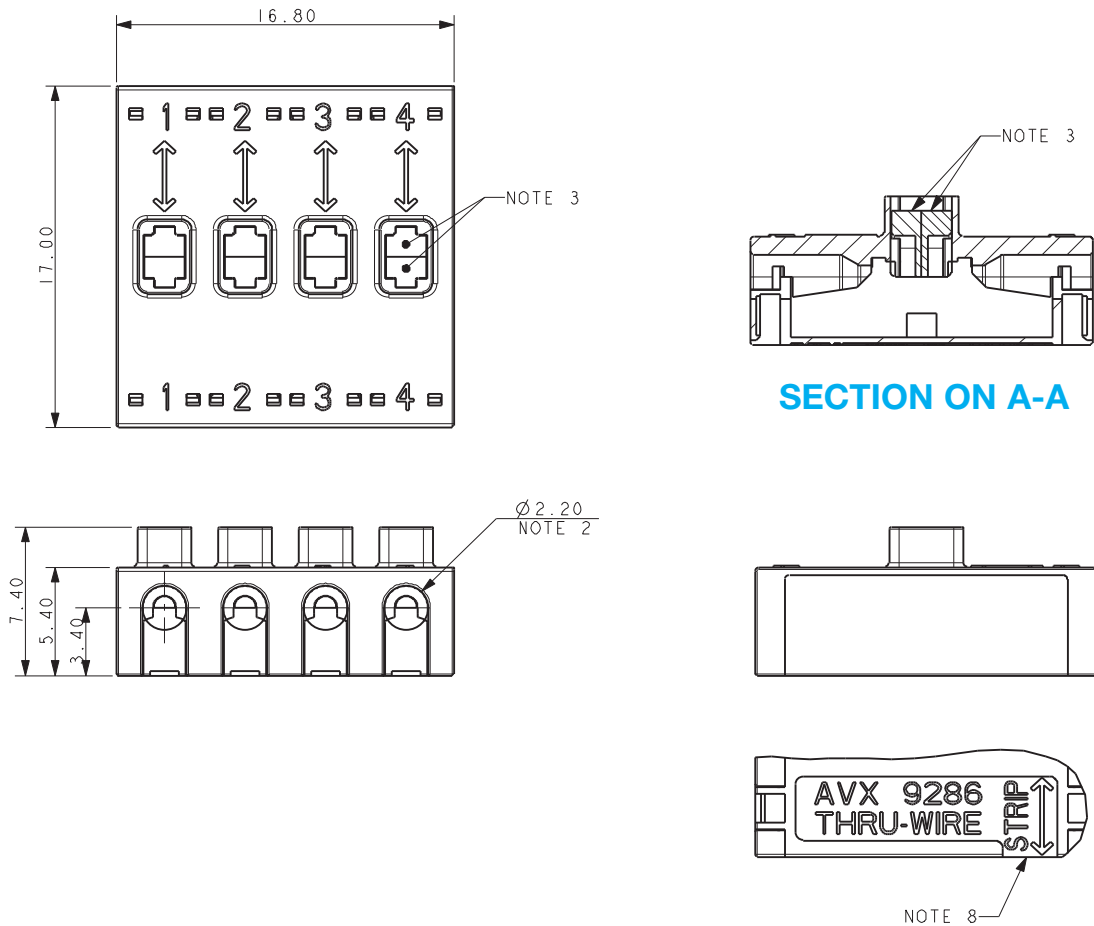
1. 3 WAY WIRE TO WIRE "POKE HOME" CONNECTOR, BUTTON OPERATED.
2. WIRE SIZES 18-26 AWG, MAXIMUM INSULATION DIAMETER 2.10MM.
3. SPLIT BUTTON ALLOWS THE WIRES TO BE INSERTED/WITHDRAWN INDEPENDENTLY.
4. INSULATION MATERIAL: NYLON 46, GLASS FILLED, UL94 V-0. COLOR SEE PAGE 1.
5. CONTACT MATERIAL: TIN PLATED COPPER ALLOY.
6. FOR FULL SPECIFICATION REFER TO ELCO SPECIFICATION 201-01-132.  
FOR APPLICATION NOTES REFER TO ELCO SPECIFICATION 201-01-135.
7. GENERAL TOLERANCE  $\pm 0.20$ MM.
8. WIRE STRIP LENGTH GUIDE, SEE PAGE 8.
9. ADHESIVE STRIP FOR PANEL MOUNTING REFER TO PAGE 9.
10. FOR UL PRODUCT CODES UL REFERENCE E90723 (US AND CANADA).

# Poke Home – Thru-Wire



Series 9286

## 18-26 AWG 4 WAY POKE HOME – THRU WIRE



### PACKING DETAILS

Pack 400 pieces in a clear plastic bag.

#### NOTES:

1. 4 WAY WIRE TO WIRE "POKE HOME" CONNECTOR, BUTTON OPERATED.
2. WIRE SIZES 18-26 AWG, MAXIMUM INSULATION DIAMETER 2.10MM.
3. SPLIT BUTTON ALLOWS THE WIRES TO BE INSERTED/WITHDRAWN INDEPENDENTLY.
4. INSULATION MATERIAL: NYLON 46, GLASS FILLED, UL94 V-0. COLOR SEE PAGE 1.
5. CONTACT MATERIAL: TIN PLATED COPPER ALLOY.
6. FOR FULL SPECIFICATION REFER TO ELCO SPECIFICATION 201-01-132.  
FOR APPLICATION NOTES REFER TO ELCO SPECIFICATION 201-01-135.
7. GENERAL TOLERANCE  $\pm 0.20$ MM.
8. WIRE STRIP LENGTH GUIDE, SEE PAGE 8.
9. ADHESIVE STRIP FOR PANEL MOUNTING REFER TO PAGE 9.
10. FOR UL PRODUCT CODES UL REFERENCE E90723 (US AND CANADA).

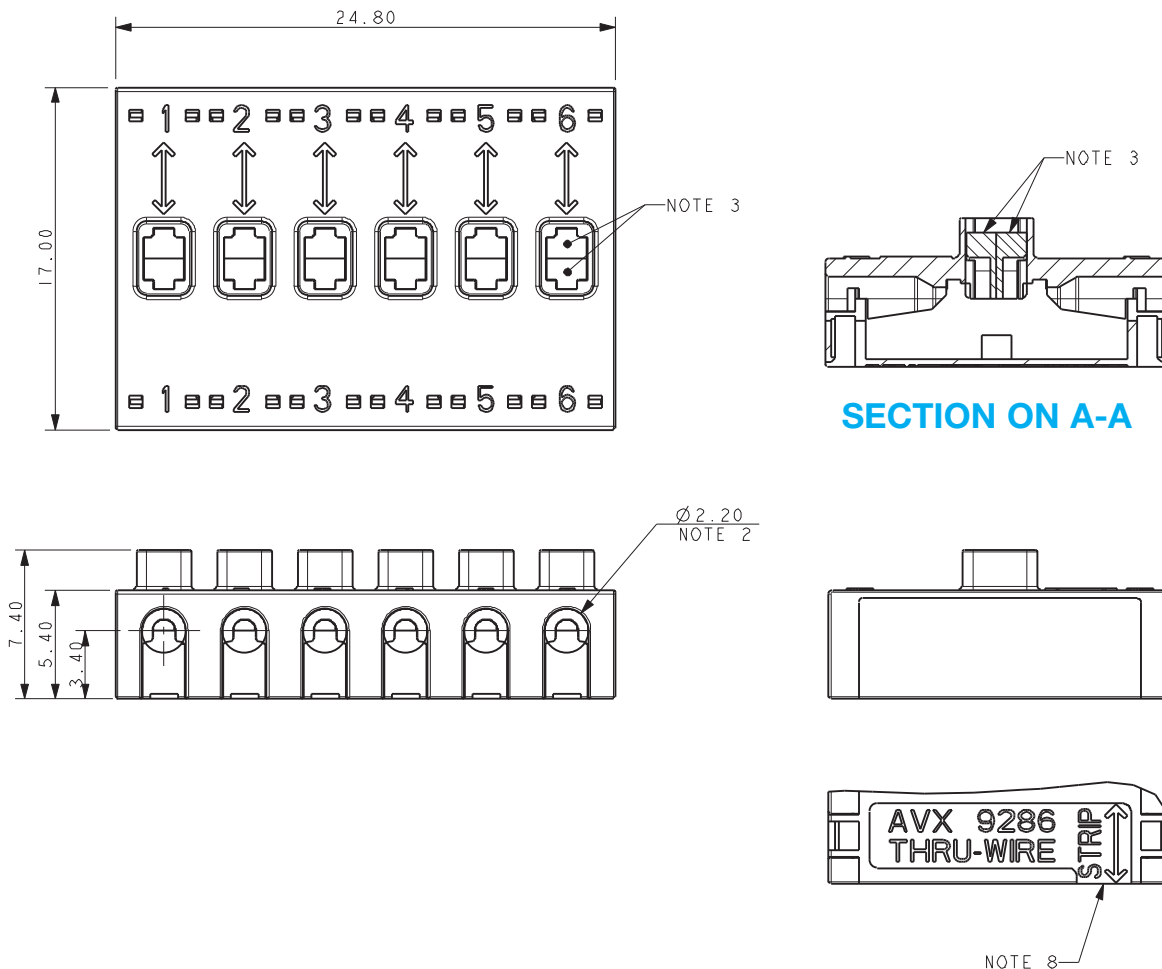


# Poke Home – Thru-Wire



Series 9286

## 18-26 AWG 6 WAY POKE HOME – THRU WIRE



### PACKING DETAILS

Pack 400 pieces in a clear plastic bag.

#### NOTES:

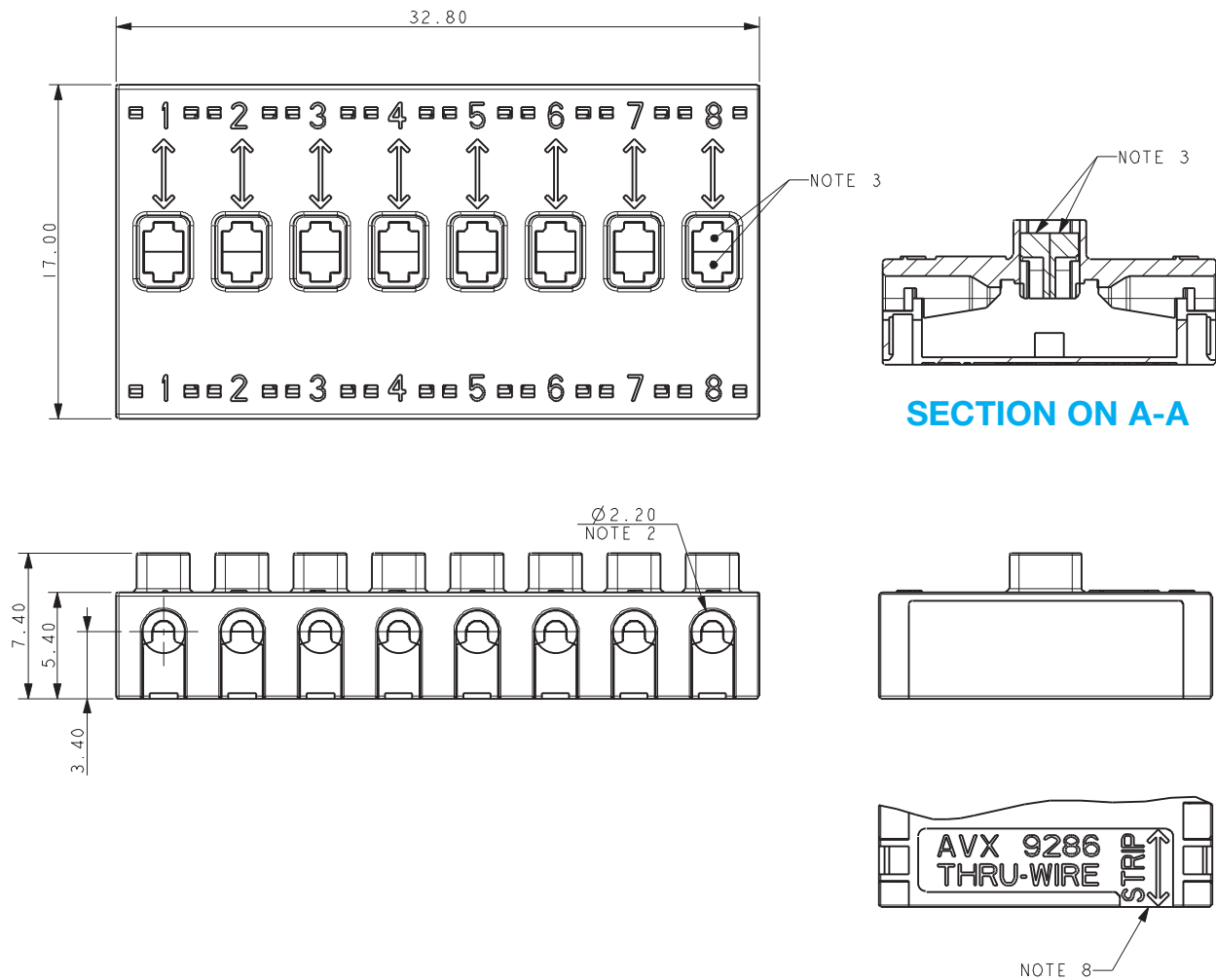
1. 6 WAY WIRE TO WIRE "POKE HOME" CONNECTOR, BUTTON OPERATED.
2. WIRE SIZES 18-26 AWG, MAXIMUM INSULATION DIAMETER 2.10MM.
3. SPLIT BUTTON ALLOWS THE WIRES TO BE INSERTED/WITHDRAWN INDEPENDENTLY.
4. INSULATION MATERIAL: NYLON 46, GLASS FILLED, UL94 V-0. COLOR SEE PAGE 1.
5. CONTACT MATERIAL: TIN PLATED COPPER ALLOY.
6. FOR FULL SPECIFICATION REFER TO ELCO SPECIFICATION 201-01-132.  
FOR APPLICATION NOTES REFER TO ELCO SPECIFICATION 201-01-135.
7. GENERAL TOLERANCE  $\pm 0.20$ MM.
8. WIRE STRIP LENGTH GUIDE, SEE PAGE 8.
9. ADHESIVE STRIP FOR PANEL MOUNTING REFER TO PAGE 9.
10. FOR UL PRODUCT CODES UL REFERENCE E90723 (US AND CANADA).

# Poke Home – Thru-Wire



Series 9286

## 18-26 AWG 8 WAY POKE HOME – THRU WIRE



### PACKING DETAILS

Pack 400 pieces in a clear plastic bag.

#### NOTES:

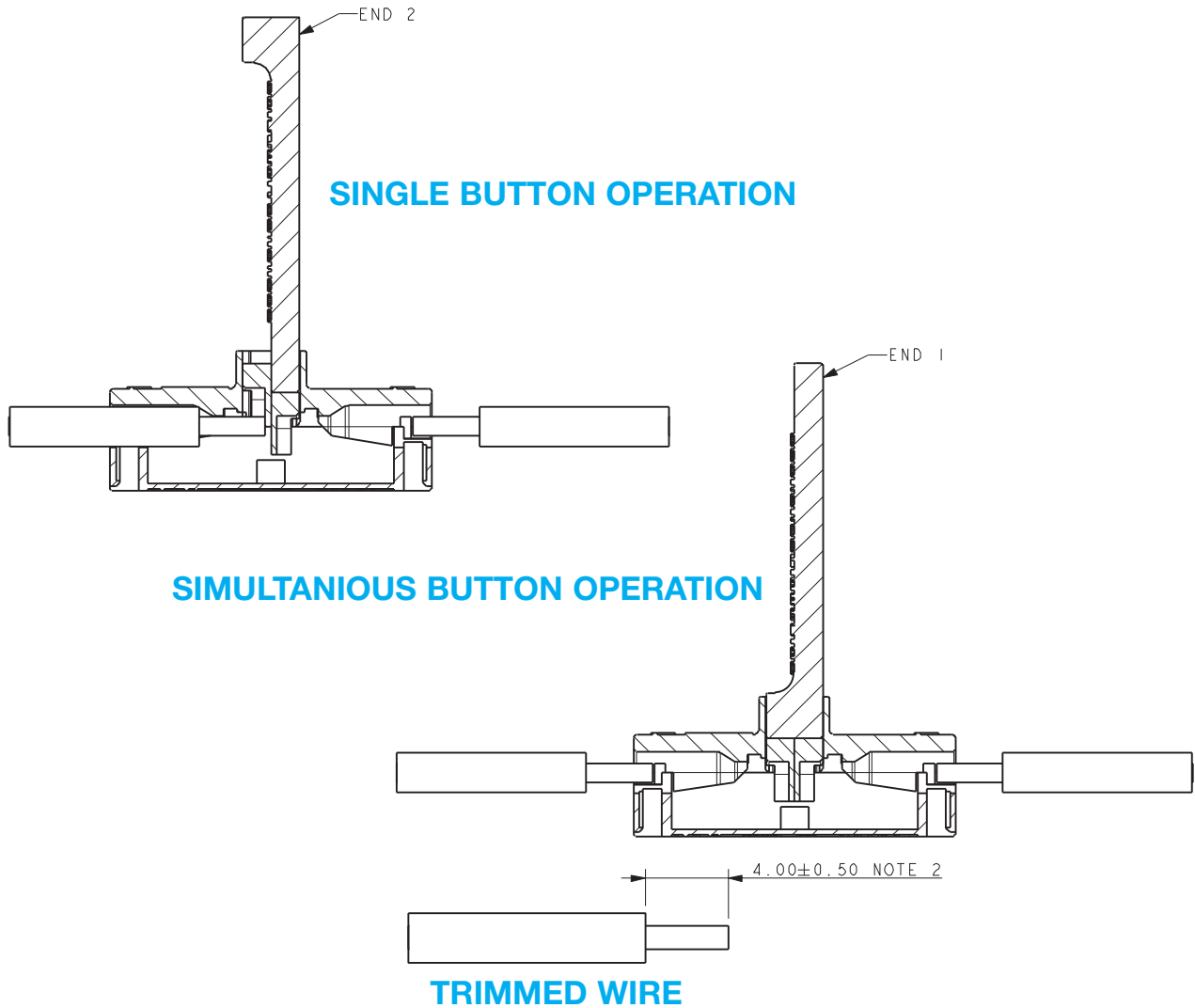
1. 8 WAY WIRE TO WIRE "POKE HOME" CONNECTOR, BUTTON OPERATED.
2. WIRE SIZES 18-26 AWG, MAXIMUM INSULATION DIAMETER 2.10MM.
3. SPLIT BUTTON ALLOWS THE WIRES TO BE INSERTED/WITHDRAWN INDEPENDENTLY.
4. INSULATION MATERIAL: NYLON 46, GLASS FILLED, UL94 V-0. COLOR SEE PAGE 1.
5. CONTACT MATERIAL: TIN PLATED COPPER ALLOY.
6. FOR FULL SPECIFICATION REFER TO ELCO SPECIFICATION 201-01-132.  
FOR APPLICATION NOTES REFER TO ELCO SPECIFICATION 201-01-135.
7. GENERAL TOLERANCE  $\pm 0.20$ MM.
8. WIRE STRIP LENGTH GUIDE, SEE PAGE 8.
9. ADHESIVE STRIP FOR PANEL MOUNTING REFER TO PAGE 9.
10. FOR UL PRODUCT CODES UL REFERENCE E90723 (US AND CANADA).

# Poke Home – Thru-Wire



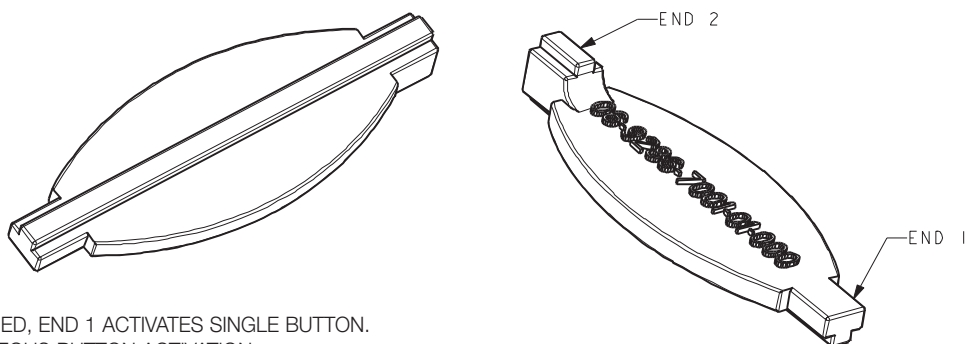
Series 9286

## POKE HOME BUTTON ACTIVATION TOOL



## 9286 BUTTON ACTIVATION TOOL

06-9286-7001-01-000



### NOTES:

1. TOOL IS DOUBLE ENDED, END 1 ACTIVATES SINGLE BUTTON.  
END 2 FOR SIMULTANEOUS BUTTON ACTIVATION.
2. WIRE WHEN TRIMMED TO BE STRAIGHT WITH NO BURRS.
3. FOR FULL ASSEMBLY DETAILS REFER TO APPLICATION NOTES 201-01-135.
4. SUPPLIED IN PACKS OF 100 PIECES.





# Poke Home – Thru-Wire

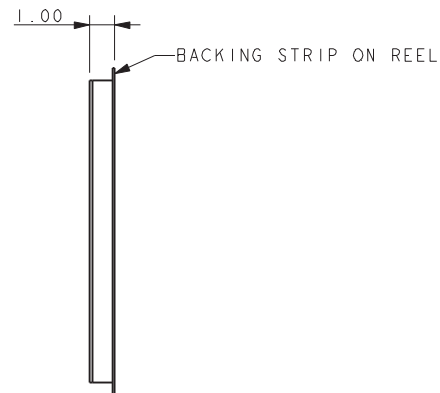
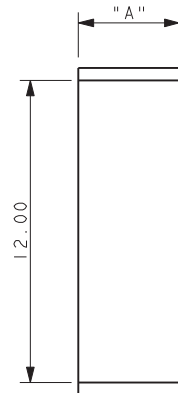
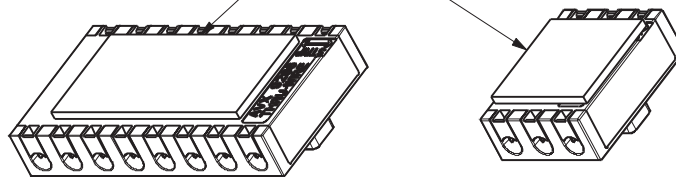


## Series 9286

### 08-9286-400X-00-000 ADHESIVE MOUNTING TAPE

ACCESSORY NOT SUPPLIED WITH CONNECTORS

TAPE APPLIED TO CENTRE OF BASE



| Part Number         | Dimension "A" | Matching Connectors              |                                     |
|---------------------|---------------|----------------------------------|-------------------------------------|
|                     |               | 00-9286-00X-021-X06<br>Thru Wire | 00-9286-00X-121-X06<br>Junction Box |
| 80-9286-4001-00-000 | 4.00          | 1 Way                            | N/A                                 |
| 80-9286-4002-00-000 | 8.00          | 2 Way                            | 4 Way                               |
| 80-9286-4003-00-000 | 12.00         | 3 and 4 Way                      | 6 and 8 Way                         |
| 80-9286-4006-00-000 | 24.00         | 6 and 8 Way                      | N/A                                 |

#### NOTES:

1. DOUBLE SIDED FOAM FILLED ADHESIVE TAPE.
2. WIDTH FOR 1 WAY, 2 WAY, 3 WAY AND 6 WAY CONNECTORS, FOR LENGTH SEE TABLE.
3. USED FOR ADHERE A 9286 CONNECTOR TO A FLAT SURFACE.
4. SOME SURFACES MAY REQUIRE THE USE OF A CLEANING SOLVENT TO ACHIEVE BEST RESULTS.
5. SUPPLIED CUT TO SIZE ON A REEL ON AN OVERSIZE BACKING STRIP PARTS 400 PER REEL.



## X-ON Electronics

Largest Supplier of Electrical and Electronic Components

*Click to view similar products for [Headers & Wire Housings](#) category:*

*Click to view products by [Kyocera AVX](#) manufacturer:*

Other Similar products are found below :

[892-18-020-10-001101](#) [58102-G61-06LF](#) [582553-1](#) [0009485154](#) [009176003701906](#) [0050291907](#) [LY20-4P-DT1-P1E-BR](#) [02.125.8002.8](#)  
[609-3404](#) [61062-3](#) [61082-181009](#) [622-3653LF](#) [63453-116](#) [636-1030](#) [636-1427](#) [636-3427](#) [636-4007](#) [641938-9](#) [641991-4](#) [644827-2](#) [65817-](#)  
[010LF](#) [65817-015LF](#) [65863-015LF](#) [66207-023LF](#) [67095-007LF](#) [67601157](#) [68648-049](#) [70.362.1628.0](#) [70-4210](#) [70-4226B](#) [70-4853B](#) [707-](#)  
[5020](#) [707-5028](#) [71.350.2428.0](#) [71918-208LF](#) [71961-016LF](#) [733-134](#) [733-162](#) [754199-000](#) [760-3052](#) [787-8014-00](#) [79531-3000](#) [FCN-](#)  
[360C032-B](#) [FCN-367T-T012/H](#) [FCN-723D010/2](#) [80.063.4001.1](#) [800-90-001-10-001000](#) [800-90-010-10-002000](#) [801-43-002-10-013000](#)  
[801-43-006-10-002000](#)