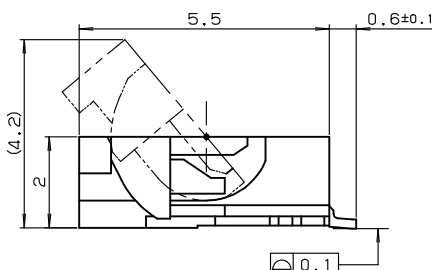
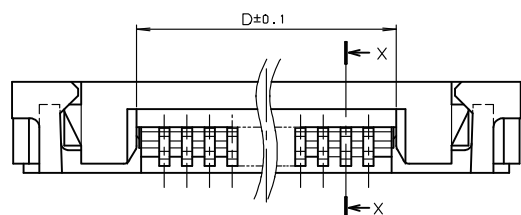
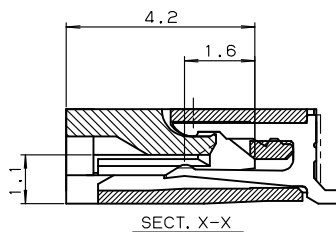
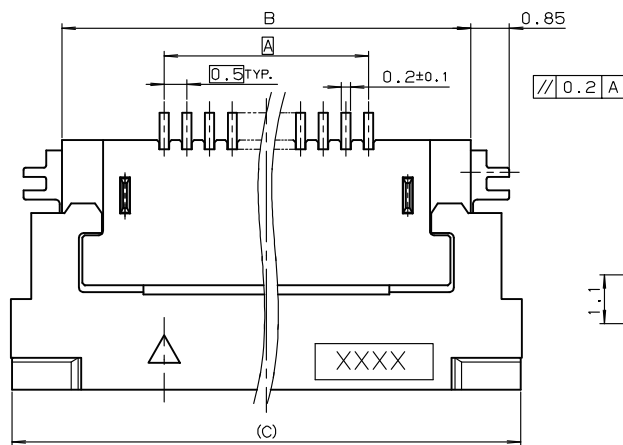


0.5mm Pitch  
SERIES

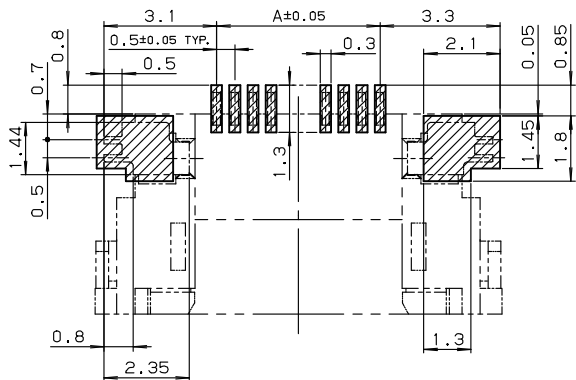
# 6240

0.5mmピッチ RA SMT 下接点 ワンタッチロック 小極

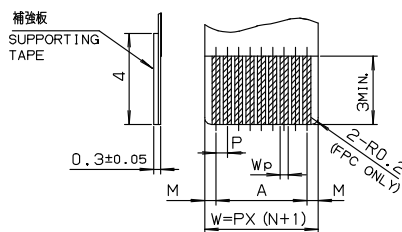
0.5mmPitch RA SMT Bottom contact One-touch lock Low-pin count



| 極数<br>NO. OF<br>POS. | A    | B    | C    | D    |
|----------------------|------|------|------|------|
| 5                    | 2.0  | 6.5  | 8.7  | 3.1  |
| 6                    | 2.5  | 7.0  | 9.2  | 3.6  |
| 7                    | 3.0  | 7.5  | 9.7  | 4.1  |
| 8                    | 3.5  | 8.0  | 10.2 | 4.6  |
| 9                    | 4.0  | 8.5  | 10.7 | 5.1  |
| 10                   | 4.5  | 9.0  | 11.2 | 5.6  |
| 11                   | 5.0  | 9.5  | 11.7 | 6.1  |
| 12                   | 5.5  | 10.0 | 12.2 | 6.6  |
| 13                   | 6.0  | 10.5 | 12.7 | 7.1  |
| 14                   | 6.5  | 11.0 | 13.2 | 7.6  |
| 15                   | 7.0  | 11.5 | 13.7 | 8.1  |
| 16                   | 7.5  | 12.0 | 14.2 | 8.6  |
| 17                   | 8.0  | 12.5 | 14.7 | 9.1  |
| 18                   | 8.5  | 13.0 | 15.2 | 9.6  |
| 19                   | 9.0  | 13.5 | 15.7 | 10.1 |
| 20                   | 9.5  | 14.0 | 16.2 | 10.6 |
| 21                   | 10.0 | 14.5 | 16.7 | 11.1 |
| 22                   | 10.5 | 15.0 | 17.2 | 11.6 |
| 23                   | 11.0 | 15.5 | 17.7 | 12.1 |
| 24                   | 11.5 | 16.0 | 18.2 | 12.6 |
| 25                   | 12.0 | 16.5 | 18.7 | 13.1 |
| 26                   | 12.5 | 17.0 | 19.2 | 13.6 |
| 27                   | 13.0 | 17.5 | 19.7 | 14.1 |
| 28                   | 13.5 | 18.0 | 20.2 | 14.6 |
| 29                   | 14.0 | 18.5 | 20.7 | 15.1 |
| 30                   | 14.5 | 19.0 | 21.2 | 15.6 |



基板取付け寸法  
MOUNTING LAYOUT



|    | FPC                                    |           | FFC                                   |                                       |
|----|--|-----------|---------------------------------------|---------------------------------------|
|    | 1                                      | 2         | 1                                     | 2                                     |
| M  | 0.5±0.12                               | 0.5±0.1   | 0.5±0.1                               | 0.5±0.08                              |
| P  | 0.5±0.02                               | 0.5±0.05  | 0.5±0.03                              | 0.5±0.05                              |
| A  | A±0.03                                 | A±0.05    | A±0.03                                | A±0.05                                |
| W  | W±0.07                                 | W±0.07    | W±0.07                                | W±0.07                                |
| Wp | 0.35 <sup>+0.04</sup> <sub>-0.03</sub> | 0.35±0.05 | 0.3 <sup>+0.05</sup> <sub>-0.02</sub> | 0.3 <sup>+0.05</sup> <sub>-0.02</sub> |

適用FPC, FFC寸法  
APPLICABLE FPC, FFC

注文コード ORDERING CODE

04 6240 0XX 0X6 XXX+

RoHS 対応品

RoHS Compliant Product

006 800+ : スズ銅めっき Sn-Cu Plated  
026 846+ : 金めっき Au Plated

極数 NUMBER OF POSITIONS

生産対応可能極数については、営業部に  
ご確認願います。

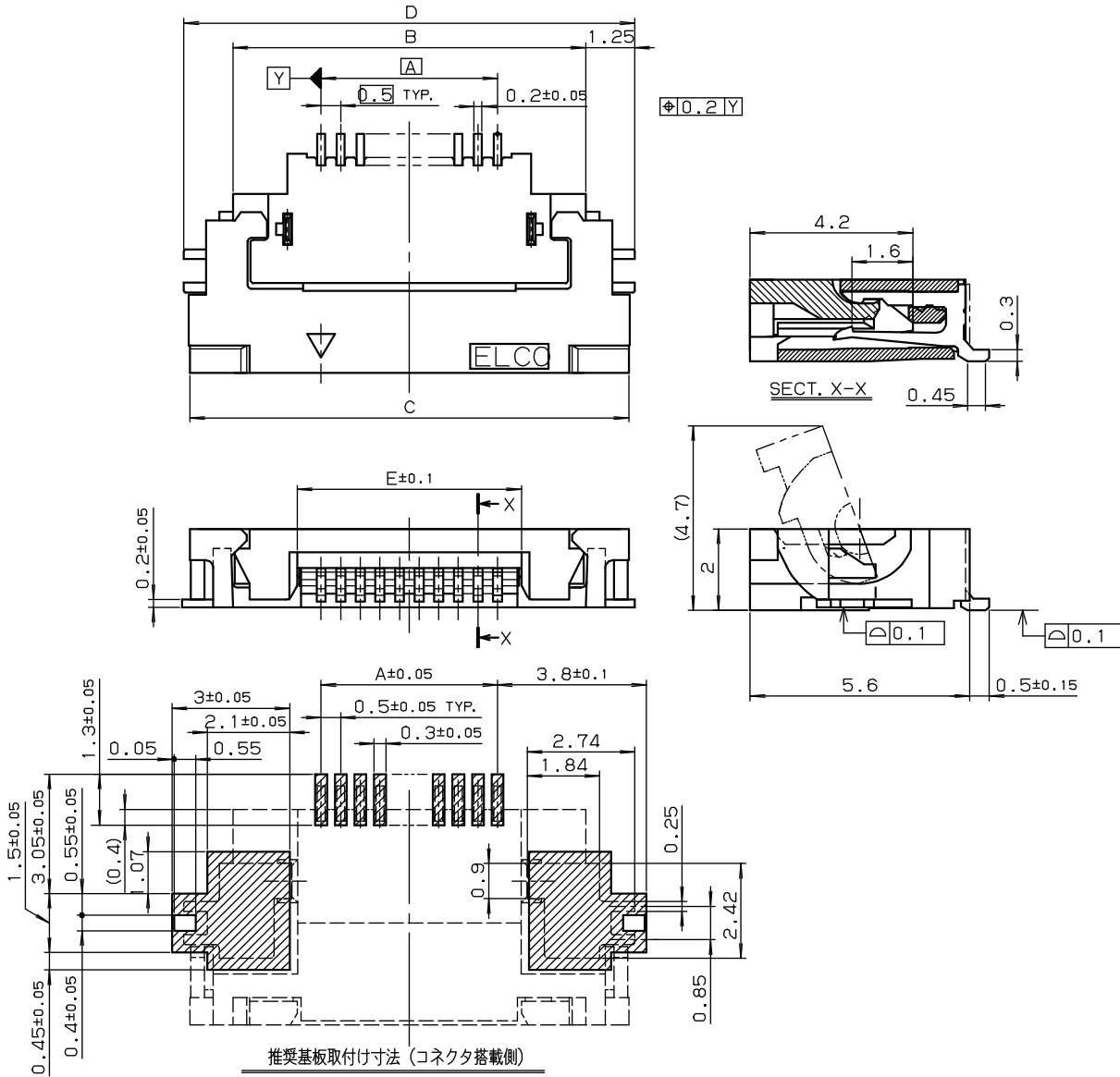
Feel free to contact our sales department  
for available numbers of positions.



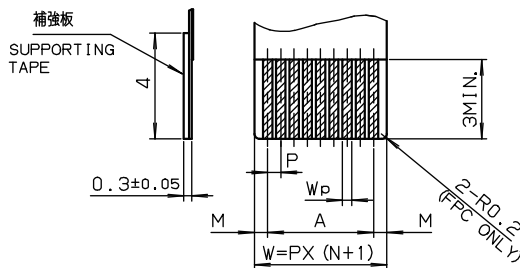
0.5mm Pitch  
SERIES

# 6240

0.5mmピッチ RA SMT 下接点 ワンタッチロック 大極  
0.5mmPitch RA SMT Bottom contact One-touch lock High-pin count



推奨基板取付け寸法 (コネクタ搭載側)  
MOUNTING LAYOUT (CONN. MOUNTING SIDE)



|    | FPC                                    |           | FFC                                   |                                       |
|----|--|-----------|---------------------------------------|---------------------------------------|
|    | 1                                      | 2         | 1                                     | 2                                     |
| M  | 0.5±0.12                               | 0.5±0.1   | 0.5±0.1                               | 0.5±0.08                              |
| P  | 0.5±0.02                               | 0.5±0.05  | 0.5±0.03                              | 0.5±0.05                              |
| A  | A±0.03                                 | A±0.05    | A±0.03                                | A±0.05                                |
| W  | W±0.07                                 | W±0.07    | W±0.07                                | W±0.07                                |
| Wp | 0.35 <sup>+0.04</sup> <sub>-0.03</sub> | 0.35±0.05 | 0.3 <sup>+0.05</sup> <sub>-0.02</sub> | 0.3 <sup>+0.05</sup> <sub>-0.02</sub> |

適用FPC, FFC寸法  
APPLICABLE FPC, FFC

| 極数<br>NO. OF<br>POS. | 寸法 DIMENSION |      |      |      |       |
|----------------------|--------------|------|------|------|-------|
|                      | A            | B    | C    | D    | E     |
| 51                   | 25.0         | 29.5 | 31.7 | 32.0 | 26.17 |
| 52                   | 25.5         | 30.0 | 32.2 | 32.5 | 26.67 |
| 53                   | 26.0         | 30.5 | 32.7 | 33.0 | 27.17 |
| 54                   | 26.5         | 31.0 | 33.2 | 33.5 | 27.67 |
| 55                   | 27.0         | 31.5 | 33.7 | 34.0 | 28.17 |
| 56                   | 27.5         | 32.0 | 34.2 | 34.5 | 28.67 |
| 57                   | 28.0         | 32.5 | 34.7 | 35.0 | 29.17 |
| 58                   | 28.5         | 33.0 | 35.2 | 35.5 | 29.67 |
| 59                   | 29.0         | 33.5 | 35.7 | 36.0 | 30.17 |
| 60                   | 29.5         | 34.0 | 36.2 | 36.5 | 30.67 |

注文コード ORDERING CODE  
04 6240 0XX 0X5 XXX+

RoHS 対応品  
RoHS Compliant Product

005 800+ : スズ銅めっき Sn-Cu Plated  
025 846+ : 金めっき Au Plated

極数 NUMBER OF POSITIONS

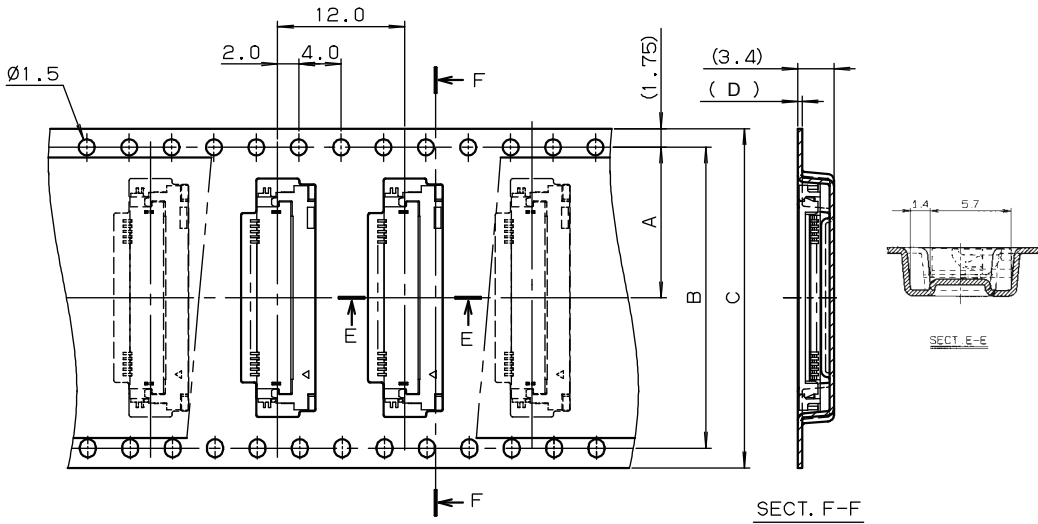
生産対応可能極数については、営業部に  
ご確認ください。

Feel free to contact our sales department  
for available numbers of positions.

**0.5mm Pitch**  
**SERIES**

# 6240

 エンボス梱包品  
 Tape and Reel Package

**●5~50 POSITIONS**


| 極数<br>NO. OF<br>POS. | A    | B    | C  | D   |
|----------------------|------|------|----|-----|
| 5                    | 11.5 | —    | 24 | 0.4 |
| 6                    | 11.5 | —    | 24 | 0.4 |
| 7                    | 11.5 | —    | 24 | 0.4 |
| 8                    | 11.5 | —    | 24 | 0.4 |
| 9                    | 11.5 | —    | 24 | 0.4 |
| 10                   | 11.5 | —    | 24 | 0.4 |
| 11                   | 11.5 | —    | 24 | 0.4 |
| 12                   | 11.5 | —    | 24 | 0.4 |
| 13                   | 11.5 | —    | 24 | 0.4 |
| 14                   | 11.5 | —    | 24 | 0.4 |
| 15                   | 11.5 | —    | 24 | 0.4 |
| 16                   | 11.5 | —    | 24 | 0.4 |
| 17                   | 11.5 | —    | 24 | 0.4 |
| 18                   | 11.5 | —    | 24 | 0.4 |
| 19                   | 11.5 | —    | 24 | 0.4 |
| 20                   | 14.2 | 28.4 | 32 | 0.4 |
| 21                   | 14.2 | 28.4 | 32 | 0.4 |
| 22                   | 14.2 | 28.4 | 32 | 0.4 |
| 23                   | 14.2 | 28.4 | 32 | 0.4 |
| 24                   | 14.2 | 28.4 | 32 | 0.4 |
| 25                   | 14.2 | 28.4 | 32 | 0.4 |
| 26                   | 14.2 | 28.4 | 32 | 0.4 |
| 27                   | 14.2 | 28.4 | 32 | 0.4 |
| 28                   | 14.2 | 28.4 | 32 | 0.4 |
| 29                   | 14.2 | 28.4 | 32 | 0.4 |
| 30                   | 14.2 | 28.4 | 32 | 0.4 |

| 極数<br>NO. OF<br>POS. | A    | B    | C  | D   |
|----------------------|------|------|----|-----|
| 31                   | 20.2 | 40.4 | 44 | 0.3 |
| 32                   | 20.2 | 40.4 | 44 | 0.3 |
| 33                   | 20.2 | 40.4 | 44 | 0.3 |
| 34                   | 20.2 | 40.4 | 44 | 0.3 |
| 35                   | 20.2 | 40.4 | 44 | 0.3 |
| 36                   | 20.2 | 40.4 | 44 | 0.3 |
| 37                   | 20.2 | 40.4 | 44 | 0.3 |
| 38                   | 20.2 | 40.4 | 44 | 0.3 |
| 39                   | 20.2 | 40.4 | 44 | 0.3 |
| 40                   | 20.2 | 40.4 | 44 | 0.3 |
| 41                   | 20.2 | 40.4 | 44 | 0.3 |
| 42                   | 20.2 | 40.4 | 44 | 0.3 |
| 43                   | 20.2 | 40.4 | 44 | 0.3 |
| 44                   | 20.2 | 40.4 | 44 | 0.3 |
| 45                   | 20.2 | 40.4 | 44 | 0.3 |
| 46                   | 20.2 | 40.4 | 44 | 0.3 |
| 47                   | 20.2 | 40.4 | 44 | 0.3 |
| 48                   | 20.2 | 40.4 | 44 | 0.3 |
| 49                   | 20.2 | 40.4 | 44 | 0.3 |
| 50                   | 20.2 | 40.4 | 44 | 0.3 |

**注文コード ORDERING CODE**  
**04 6240 0XX 0X6 XXX+**
**RoHS 対応品**  
 RoHS Compliant Product

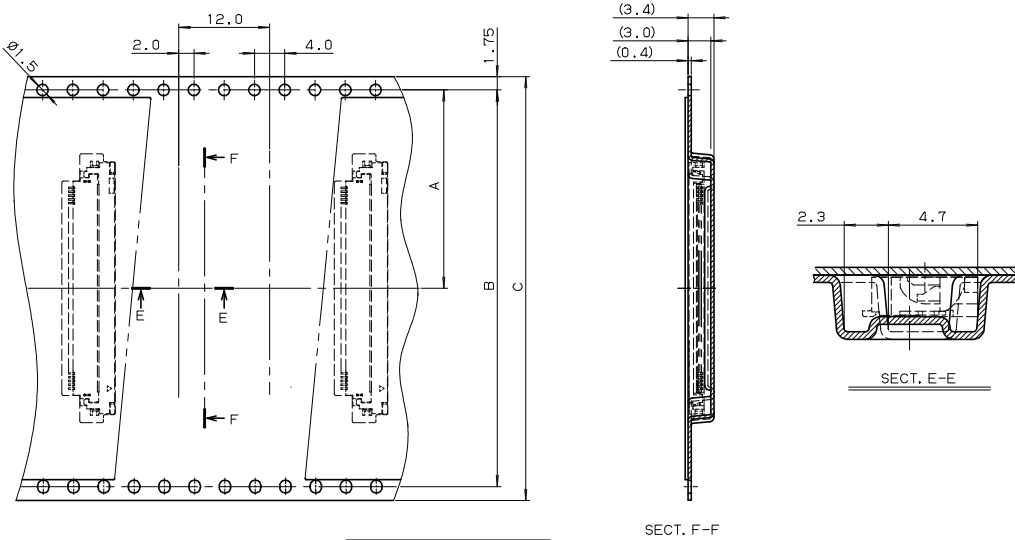
 006 800+ : スズ銅めっき Sn-Cu Plated  
 026 846+ : 金めっき Au Plated

極数 NUMBER OF POSITIONS

**注文コード ORDERING CODE**  
**04 6240 0XX 0X3 XXX+**
**RoHS 対応品**  
 RoHS Compliant Product

 003 800+ : スズ銅めっき Sn-Cu Plated  
 023 846+ : 金めっき Au Plated

極数 NUMBER OF POSITIONS

**●51~60 POSITIONS**


| 極数<br>NO. OF<br>POS. | A    | B    | C    |
|----------------------|------|------|------|
| 51                   | 26.5 | 52.4 | 56.0 |
| 52                   | 26.5 | 52.4 | 56.0 |
| 53                   | 26.5 | 52.4 | 56.0 |
| 54                   | 26.5 | 52.4 | 56.0 |
| 55                   | 26.5 | 52.4 | 56.0 |
| 56                   | 26.5 | 52.4 | 56.0 |
| 57                   | 26.5 | 52.4 | 56.0 |
| 58                   | 26.5 | 52.4 | 56.0 |
| 59                   | 26.5 | 52.4 | 56.0 |
| 60                   | 26.5 | 52.4 | 56.0 |

**注文コード ORDERING CODE**  
**04 6240 0XX 0X5 XXX+**
**RoHS 対応品**  
 RoHS Compliant Product

 005 800+ : スズ銅めっき Sn-Cu Plated  
 025 846+ : 金めっき Au Plated

極数 NUMBER OF POSITIONS

生産対応可能極数については、営業部にご確認願います。

Feel free to contact our sales department for available numbers of positions.

 梱包数量 2000個/リール  
 PACKING QUANTITY : 2000/Reel

## X-ON Electronics

Largest Supplier of Electrical and Electronic Components

*Click to view similar products for [FFC & FPC Connectors](#) category:*

*Click to view products by [Kyocera AVX](#) manufacturer:*

Other Similar products are found below :

[FPH-1422G](#) [FPH-1602G](#) [K-FC20](#) [FH29B-80S-0.2SHW\(99\)](#) [FPH-2022G](#) [AYF332735](#) [52610-1075](#) [52610-1275](#) [52610-1934](#) [501864-3091-TR225](#) [086222026001800](#) [52610-0675](#) [62684-36210E9ALF](#) [52746-1671-TR250](#) [10051922-2810EHLF](#) [6-520415-9](#) [SFV6R-1STE9HLF](#) [XF3M-2915-1B-R100](#) [1658549-1](#) [AYF534065TA](#) [AYF351525](#) [086212040340800+](#) [AYF530365TA](#) [67000-014LF](#) [67000-004LF](#) [006207341915000+](#) [DS1020-19RT1D](#) [67000-003LF](#) [67000-011LF](#) [67000-016LF](#) [HFW14R-2STE9LF](#) [SFV32R-2STBE9HLF](#) [SFW12R-5STE9LF](#) [SFW18R-1STAE9LF](#) [SFW4R-5STE9LF](#) [52807-0430](#) [046283021002868+](#) [THD1015-8CL-SN](#) [67000-006LF](#) [502250-8027](#) [104267-9617](#) [66987-011LF](#) [AYF362535](#) [F0501-T-50-20T-R](#) [F1003-ZV-12-25T-R](#) [HFW8S-2STAE1HLF](#) [67000-008LF](#) [67000-012LF](#) [ECC576069EU](#) [F1002-B-20-20T-R](#)