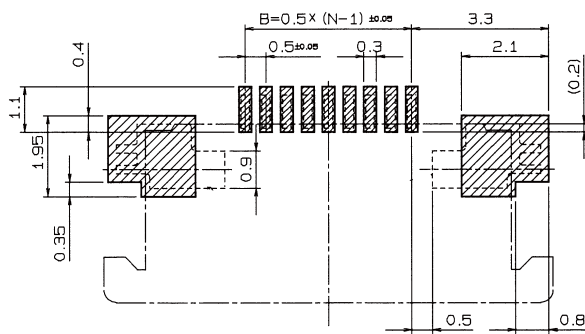
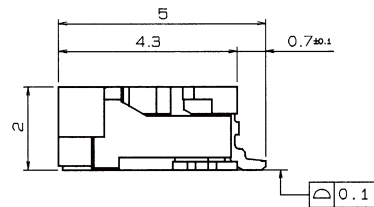
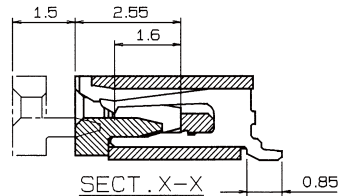
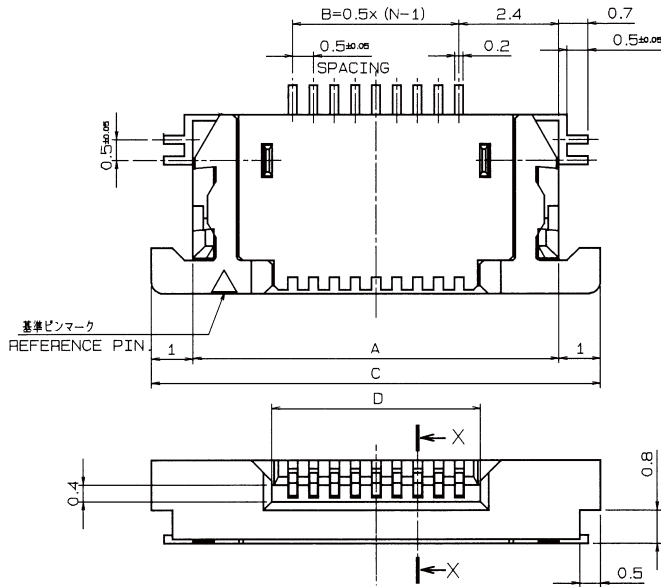


0.5mm Pitch

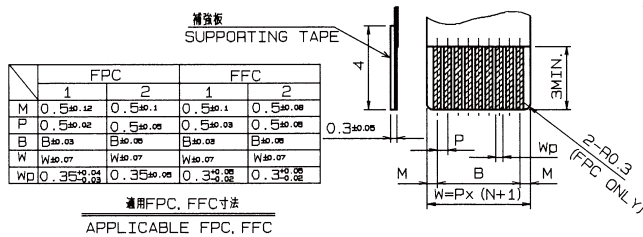
SERIES

6212/6262

0.5mmピッチ RA SMT 上接点 スライドロック
0.5mmPitch RA SMT Top contact Slide lock



推奨基板取付寸法 (コネクタ搭載側)
MOUNTING LAYOUT (CONN. MOUNTING SIDE)



適用FPC、FFC寸法
APPLICABLE FPC, FFC

| 極数 NO. OF POS | A | B | C | D |
|------------------|------|------|------|------|
| 5 | 6.8 | 2.0 | 8.8 | 3.1 |
| 6 | 7.3 | 2.5 | 9.3 | 3.6 |
| 7 | 7.8 | 3.0 | 9.8 | 4.1 |
| 8 | 8.3 | 3.5 | 10.3 | 4.6 |
| 9 | 8.8 | 4.0 | 10.8 | 5.1 |
| 10 | 9.3 | 4.5 | 11.3 | 5.6 |
| 11 | 9.8 | 5.0 | 11.8 | 6.1 |
| 12 | 10.3 | 5.5 | 12.3 | 6.6 |
| 13 | 10.8 | 6.0 | 12.8 | 7.1 |
| 14 | 11.3 | 6.5 | 13.3 | 7.6 |
| 15 | 11.8 | 7.0 | 13.8 | 8.1 |
| 16 | 12.3 | 7.5 | 14.3 | 8.6 |
| 17 | 12.8 | 8.0 | 14.8 | 9.1 |
| 18 | 13.3 | 8.5 | 15.3 | 9.6 |
| 19 | 13.8 | 9.0 | 15.8 | 10.1 |
| 20 | 14.3 | 9.5 | 16.3 | 10.6 |
| 21 | 14.8 | 10.0 | 16.8 | 11.1 |
| 22 | 15.3 | 10.5 | 17.3 | 11.6 |
| 23 | 15.8 | 11.0 | 17.8 | 12.1 |
| 24 | 16.3 | 11.5 | 18.3 | 12.6 |
| 25 | 16.8 | 12.0 | 18.8 | 13.1 |
| 26 | 17.3 | 12.5 | 19.3 | 13.6 |
| 27 | 17.8 | 13.0 | 19.8 | 14.1 |
| 28 | 18.3 | 13.5 | 20.3 | 14.6 |
| 29 | 18.8 | 14.0 | 20.8 | 15.1 |
| 30 | 19.3 | 14.5 | 21.3 | 15.6 |
| 32 | 20.3 | 15.5 | 22.3 | 16.6 |
| 33 | 19.8 | 16.0 | 22.8 | 17.1 |
| 34 | 21.3 | 16.5 | 23.3 | 17.6 |
| 35 | 21.8 | 17.0 | 23.8 | 18.1 |
| 36 | 22.3 | 17.5 | 24.3 | 18.6 |
| 38 | 23.3 | 18.5 | 25.3 | 19.6 |
| 40 | 24.3 | 19.5 | 26.3 | 20.6 |

注文コード ORDERING CODE
08 6212 OXX 340 800A+

RoHS 対応品
RoHS Compliant Product
スズ銅めっき Sn-Cu Plated

極数 NUMBER OF POSITIONS

注文コード ORDERING CODE
08 6262 OXX 340 846+

RoHS 対応品
RoHS Compliant Product
金めっき Au Plated

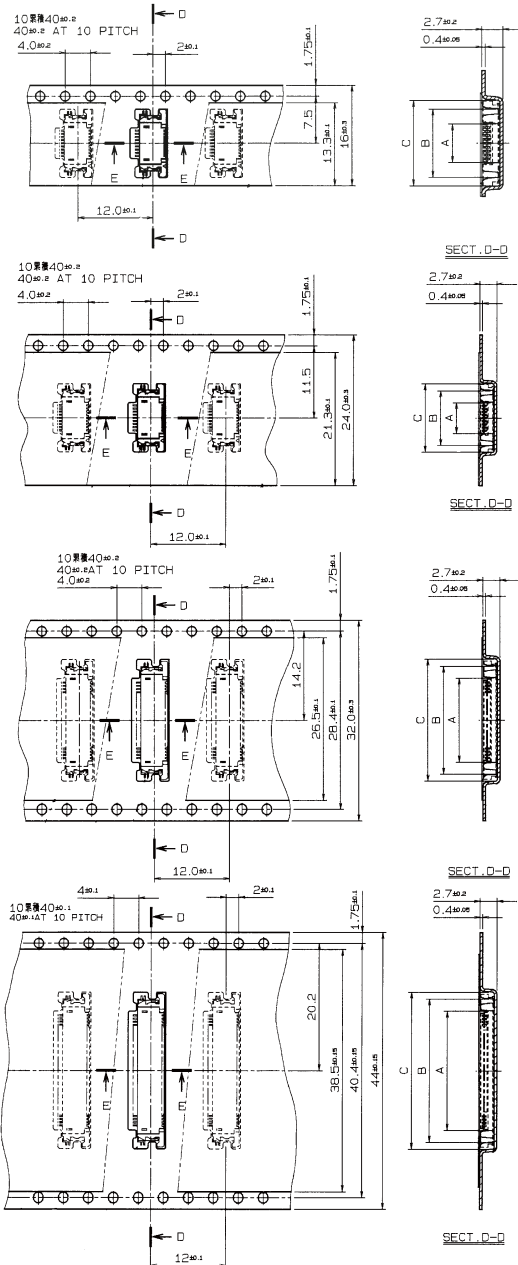
極数 NUMBER OF POSITIONS

生産対応可能極数については、営業部に
ご確認願います。
Feel free to contact our sales department
for available numbers of positions.

**0.5mm Pitch
SERIES**

6212/6262

エンボス梱包品
Tape and Reel Package

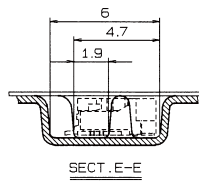


| 極数 NO. OF POS. | A | B | C |
|-------------------|-----|-----|-----|
| 5 | 3.4 | 7.2 | 9.4 |
| 6 | 3.9 | 7.7 | 9.9 |

| 極数 NO. OF POS. | A | B | C |
|-------------------|------|------|------|
| 7 | 4.4 | 8.2 | 10.4 |
| 8 | 4.9 | 8.7 | 10.9 |
| 9 | 5.4 | 9.2 | 11.4 |
| 10 | 5.9 | 9.7 | 11.9 |
| 11 | 6.4 | 10.2 | 12.4 |
| 12 | 6.9 | 10.7 | 12.9 |
| 13 | 7.4 | 11.2 | 13.4 |
| 14 | 7.9 | 11.7 | 13.9 |
| 15 | 8.4 | 12.2 | 14.4 |
| 16 | 8.9 | 12.7 | 14.9 |
| 17 | 9.4 | 13.2 | 15.4 |
| 18 | 9.9 | 13.7 | 15.9 |
| 19 | 10.4 | 14.2 | 16.4 |
| 20 | 10.9 | 14.7 | 16.9 |
| 21 | 11.4 | 15.2 | 17.4 |
| 22 | 11.9 | 15.7 | 17.9 |
| 23 | 12.4 | 16.2 | 18.4 |
| 24 | 12.9 | 16.7 | 18.9 |

| 極数 NO. OF POS. | A | B | C |
|-------------------|------|------|------|
| 25 | 13.4 | 17.2 | 19.4 |
| 26 | 13.9 | 17.7 | 19.9 |
| 27 | 14.4 | 18.2 | 20.4 |
| 28 | 14.9 | 18.7 | 20.9 |
| 29 | 15.4 | 19.2 | 21.4 |
| 30 | 15.9 | 19.7 | 21.9 |

| 極数 NO. OF POS. | A | B | C |
|-------------------|------|------|------|
| 32 | 16.9 | 20.7 | 22.9 |
| 33 | 17.4 | 21.2 | 23.4 |
| 34 | 17.9 | 21.7 | 23.9 |
| 35 | 18.4 | 22.2 | 24.4 |
| 36 | 18.9 | 22.7 | 24.9 |
| 38 | 19.9 | 23.7 | 25.9 |
| 40 | 20.9 | 24.7 | 26.9 |



注文コード ORDERING CODE
08 6212 OXX 340 800A+

RoHS 対応品
RoHS Compliant Product

スズ銅めっき Sn-Cu Plated

極数 NUMBER OF POSITIONS

注文コード ORDERING CODE
08 6262 OXX 340 846+

RoHS 対応品
RoHS Compliant Product

金めっき Au Plated

極数 NUMBER OF POSITIONS

生産対応可能極数については、営業部にご確認願います。

Feel free to contact our sales department for available numbers of positions.

梱包数量 2000個/リール
PACKING QUANTITY : 2000/Reel

X-ON Electronics

Largest Supplier of Electrical and Electronic Components

Click to view similar products for [FFC & FPC Connectors](#) category:

Click to view products by [Kyocera AVX](#) manufacturer:

Other Similar products are found below :

[FPH-1422G](#) [FPH-1602G](#) [K-FC20](#) [FH29B-80S-0.2SHW\(99\)](#) [FPH-2022G](#) [AYF332735](#) [52610-1075](#) [52610-1275](#) [52610-1934](#) [501864-3091-TR225](#) [086222026001800](#) [52610-0675](#) [62684-36210E9ALF](#) [52746-1671-TR250](#) [10051922-2810EHLF](#) [6-520415-9](#) [SFV6R-1STE9HLF](#) [XF3M-2915-1B-R100](#) [1658549-1](#) [AYF534065TA](#) [AYF351525](#) [086212040340800+](#) [AYF530365TA](#) [67000-014LF](#) [67000-004LF](#) [006207341915000+](#) [DS1020-19RT1D](#) [67000-003LF](#) [67000-011LF](#) [67000-016LF](#) [HFW14R-2STE9LF](#) [SFV32R-2STBE9HLF](#) [SFW12R-5STE9LF](#) [SFW18R-1STAE9LF](#) [SFW4R-5STE9LF](#) [52807-0430](#) [046283021002868+](#) [THD1015-8CL-SN](#) [67000-006LF](#) [502250-8027](#) [104267-9617](#) [66987-011LF](#) [AYF362535](#) [F0501-T-50-20T-R](#) [F1003-ZV-12-25T-R](#) [HFW8S-2STAE1HLF](#) [67000-008LF](#) [67000-012LF](#) [ECC576069EU](#) [F1002-B-20-20T-R](#)