

Part No. 1002649
GPS/GLONASS/Beidou/Galileo Patch Dual Feed Antenna
1.575 GHz, 1.598 GHz, 1.606 GHz
Supports: Tracking, Smart Home, Agriculture, Automotive, Healthcare, Digital Signage, Wearables, Industrial Devices



GPS / GLONASS / Beidou / Galileo Dual Feed Patch Antenna
1.575 GHz, 1.598 GHz, 1.606 GHz

Ethertronics' antennas deliver on the key needs of device designers for higher functionality and performance in smaller/thinner designs. These innovative antennas provide compelling advantages for a GNSS enabled handheld devices, media players and other mobile devices.

Electrical Specifications

Typical characteristics, measured on a 70 x 70 mm PCB ground plane.

Frequency (GHz)	1.559 – 1.563	1.575	1.559 – 1.591	1.593 – 1.610
GNSS Bands	Beidou	GPS	Galileo	Glonass
Peak Gain (dBi)	5	5.5	5.5	5.5
Center Frequency f ₀ (GHz)	1.561	1.575	1.575	1.603
Average Return Loss	< -15			
Axial Ratio	1 dB			
Feed Point Impedance	50 Ω unbalanced			

KEY BENEFITS

Reduced Costs and Time-to-Market
Standard antenna eliminates design fees and cycle time associated with a custom solution; getting products to market faster.

Quicker Time-to-Market
By optimizing antenna size, performance and emissions, customer and regulatory specifications are more easily met.

Reliability
Products are the latest RoHS version compliant.

APPLICATIONS

- Embedded design
- POS, Headsets, Tablets
- Gateway, Access Point
- Handheld
- Telematics
- Tracking
- Healthcare
- M2M, Industrial devices
- Smart Grid
- OBD-II

Mechanical Specifications & Ordering Part Number

Ordering Part Number	1002649
Size (mm)	25.0 x 25.0 x 6.7
Mounting (mm)	Adhesive (Nitto 5000NS 22 x 22 x 0.16) & 2 through-hole Soldered Pins
Weight (grams)	14.3
Packaging	Plastic Tray

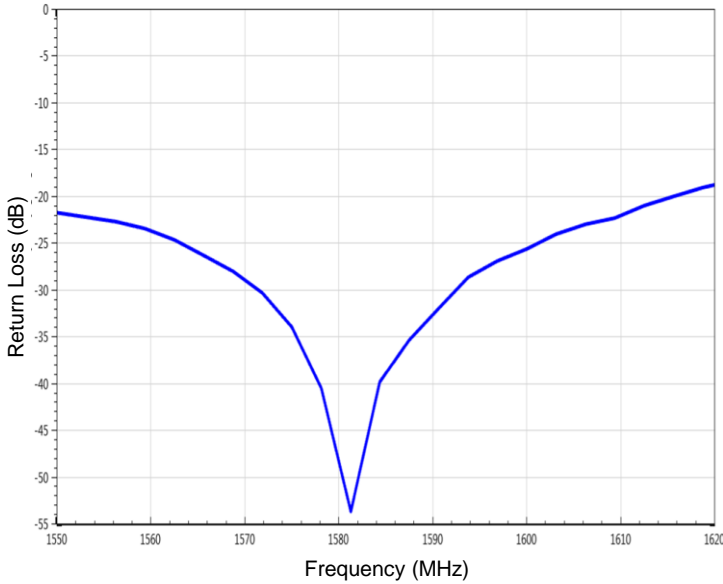


GPS / GLONASS / Beidou / Galileo Dual Feed Patch Ethertronics' Embedded Antenna Specifications
Ethertronics produces a wide variety of standard and custom antennas to meet user needs.

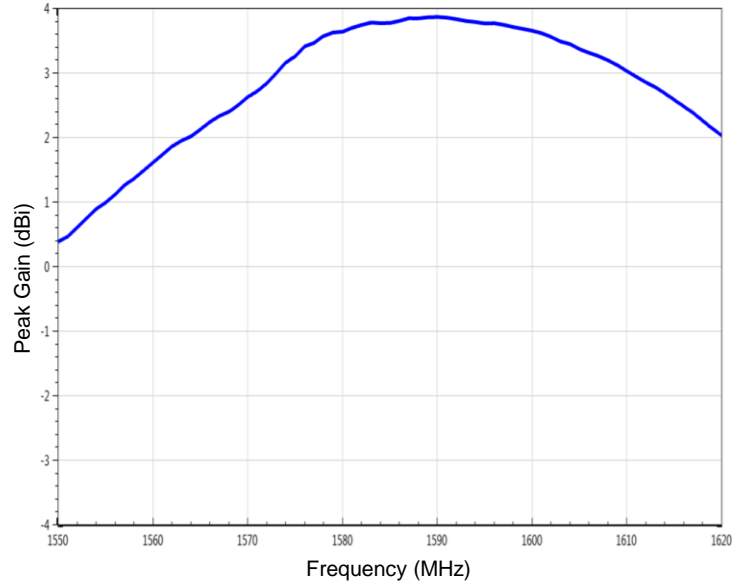
VSWR and Peak Gain Plots

Typical performance on 70 x 70 mm PCB

Return Loss



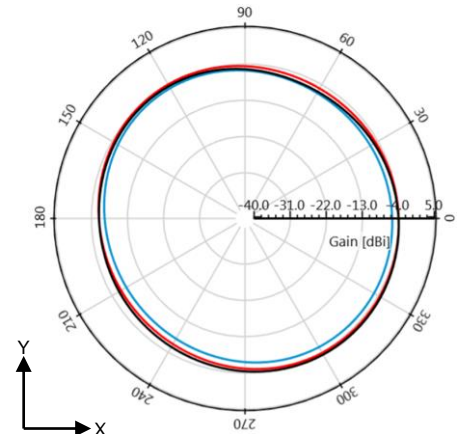
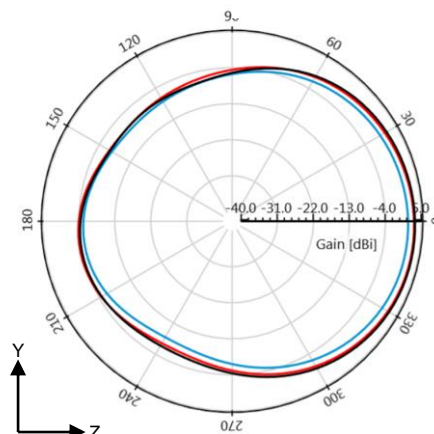
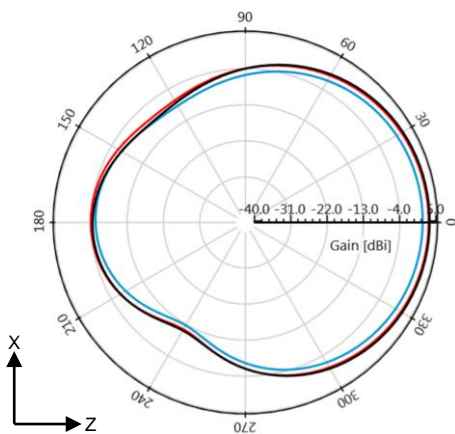
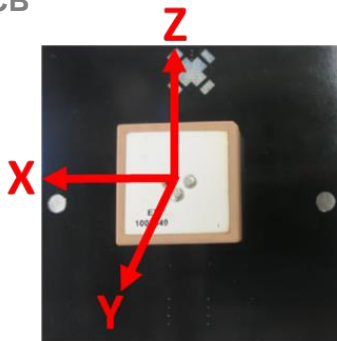
Peak Gain



Antenna Radiation Patterns

Typical performance on 70 x 70 mm PCB
Measured @ 1561, 1575, 1603 MHz

- 1561 MHz
- 1575 MHz
- 1603 MHz



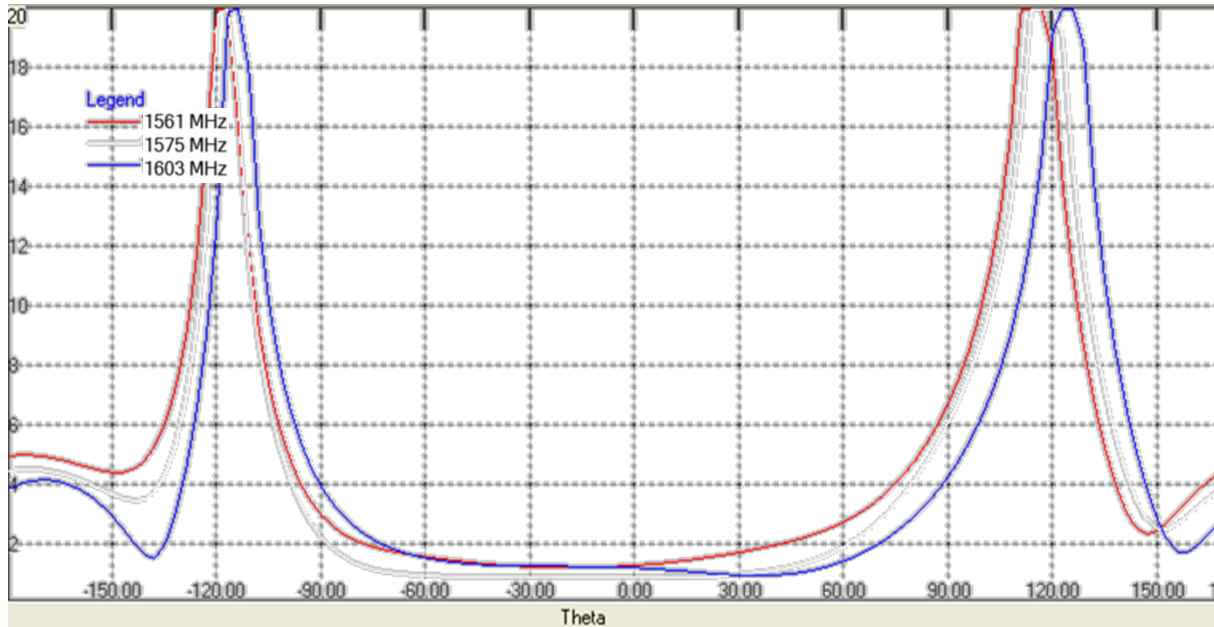


GPS / GLONASS / Beidou / Galileo Dual Feed Patch Ethertronics' Embedded Antenna Specifications
Ethertronics produces a wide variety of standard and custom antennas to meet user needs.

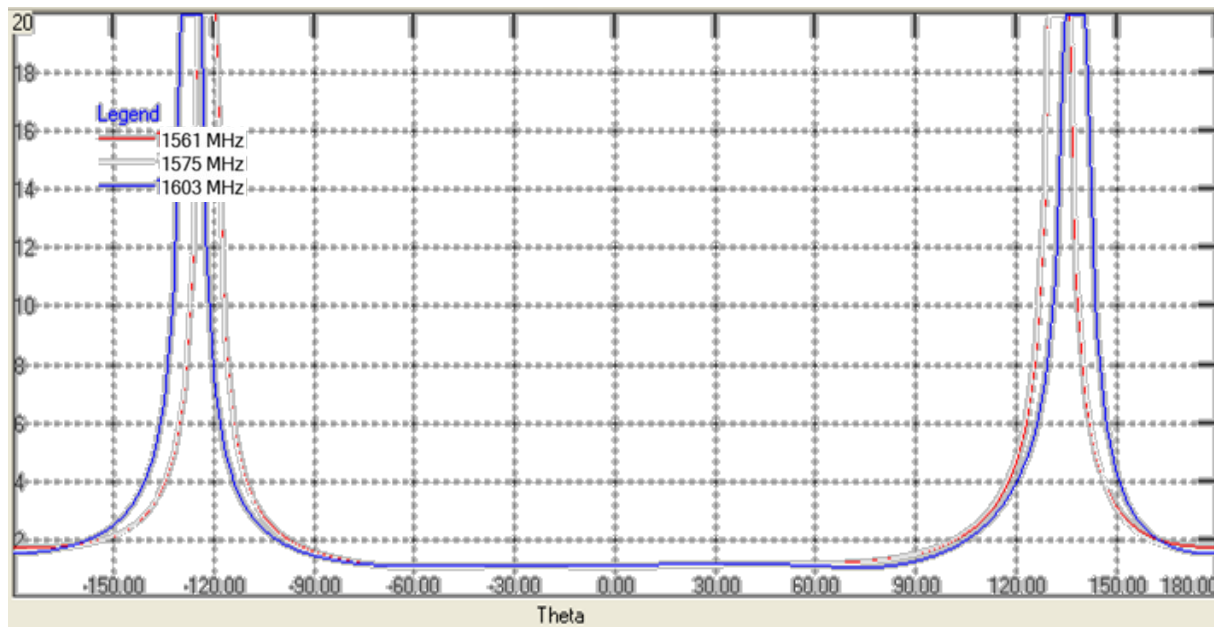
Axial Ratio Plots

Typical performance on 70 x 70 mm PCB
Measured @ 1561, 1575, 1603 MHz

Phi = 0



Phi = 90

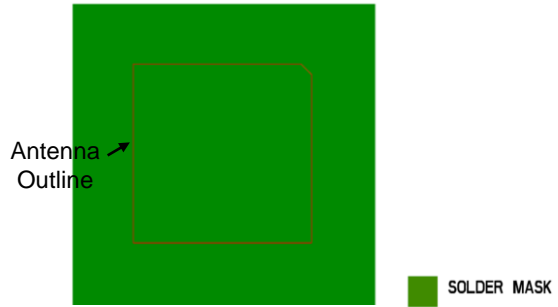
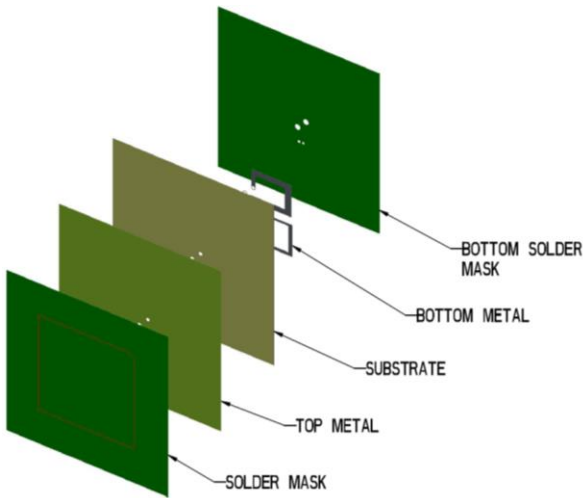




GPS / GLONASS / Beidou / Galileo Dual Feed Patch Ethertronics' Embedded Antenna Specifications
Ethertronics produces a wide variety of standard and custom antennas to meet user needs.

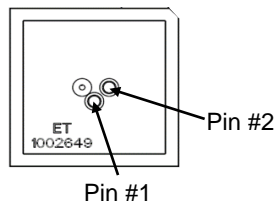
Antenna Layout

Typical layout dimensions (mm)



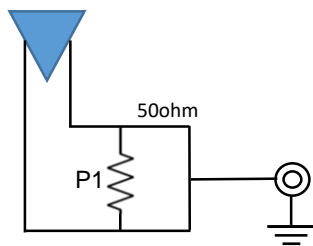
Pin Descriptions

Pin#	Description
1	Feed
2	Feed

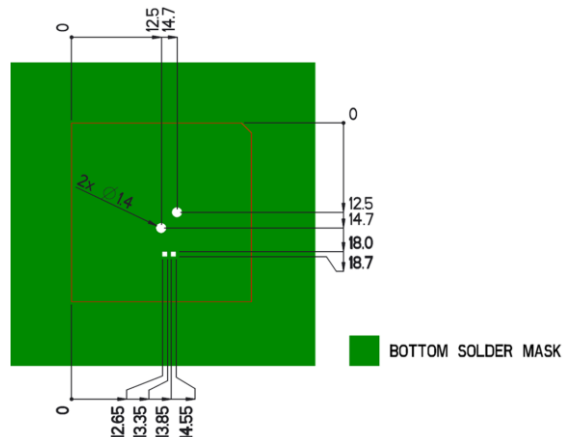
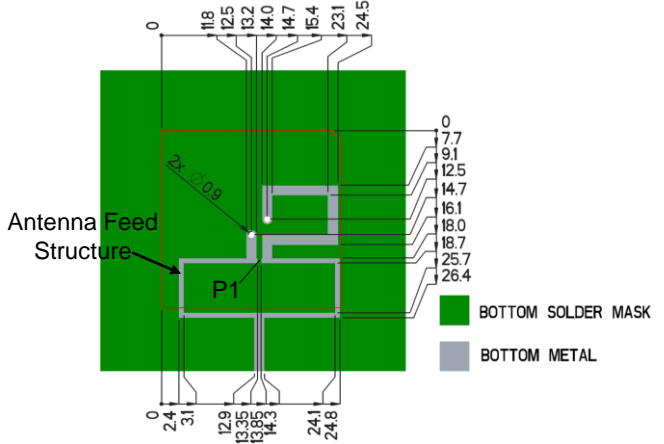
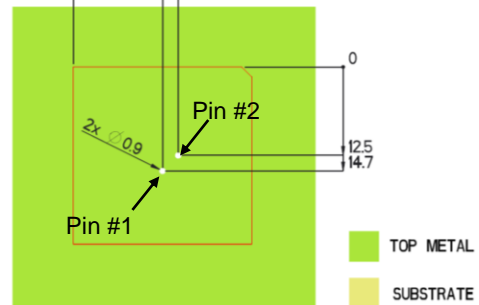
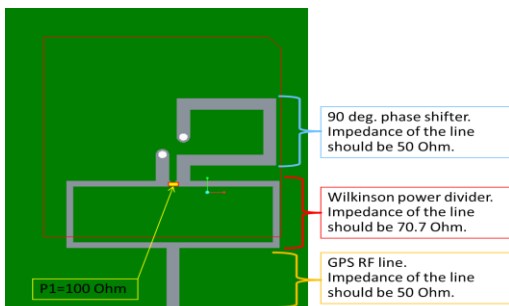


Matching Pi Network

Component	Value	Tolerance
P1	100Ω	±5%



Impedance Definition



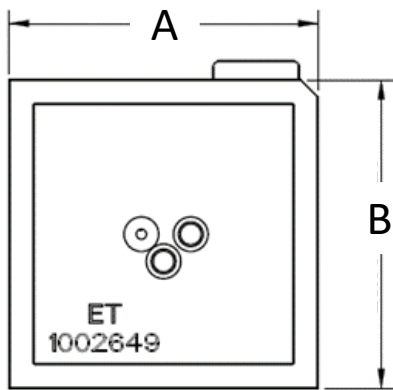


GPS / GLONASS / Beidou / Galileo Dual Feed Patch Ethertronics' Embedded Antenna Specifications
Ethertronics produces a wide variety of standard and custom antennas to meet user needs.

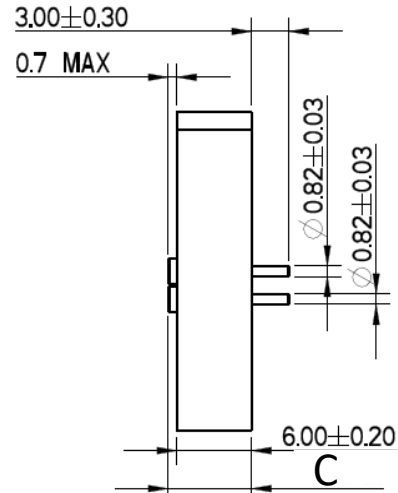
Mechanical Dimensions

Typical antenna dimensions, in mm.

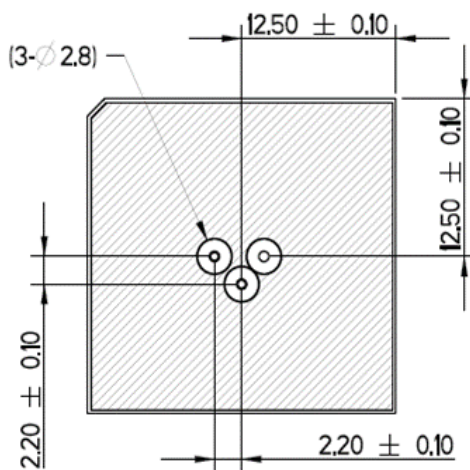
Part Number	A (mm)	B (mm)	C (mm)
1002649	25.0 ± 0.2	25.0 ± 0.2	6.7 (+0.2/-0.4)



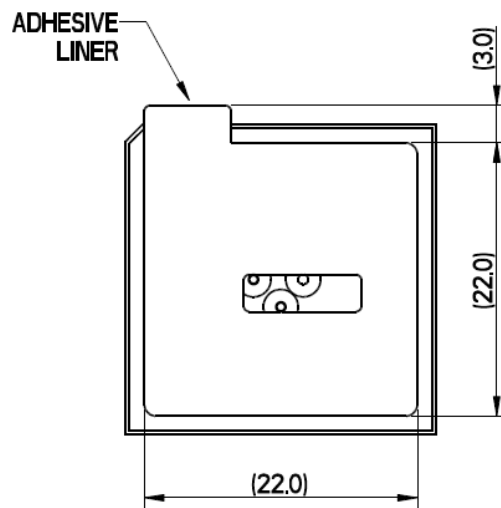
Top View



Side View



Bottom View



Adhesive Liner View (Bottom)

X-ON Electronics

Largest Supplier of Electrical and Electronic Components

Click to view similar products for [Antennas category](#):

Click to view products by [Kyocera AVX manufacturer](#):

Other Similar products are found below :

[GAN30084EU](#) [930-033-R](#) [GW17.07.0250E](#) [1513563-1](#) [EXE902SM](#) [APAMPG-117](#) [MAF94383](#) [W3908B0100](#) [W6102B0100](#) [YE572113-30RSMM](#) [108-00014-50](#) [66089-2406](#) [SPDA17RP918](#) [A09-F8NF-M](#) [A09-F5NF-M](#) [RGFRA1903041A1T](#) [W3593B0100](#) [W3921B0100](#) [SIMNA-868](#) [SIMNA-915](#) [SIMNA-433](#) [W1044](#) [W1049B090](#) [A75-001](#) [WTL2449CQ1-FRSMM](#) [CPL9C](#) [EXB148BN](#) [0600-00060](#) [TRA9020S3PBN-001](#) [GD5W-28P-NF](#) [MA9-7N](#) [GD53-25](#) [GD5W-21P-NF](#) [C37](#) [MAF94051](#) [MA9-5N](#) [EXD420PL](#) [B1322NR](#) [QWFTB120](#) [MAF94271](#) [MAF94300](#) [GPSMB301](#) [FG4403](#) [AO-AGSM-OM54](#) [5200232](#) [MIKROE-2349](#) [WCM.01.0111](#) [MIKROE-2393](#) [MIKROE-2352](#) [MIKROE-2350](#)