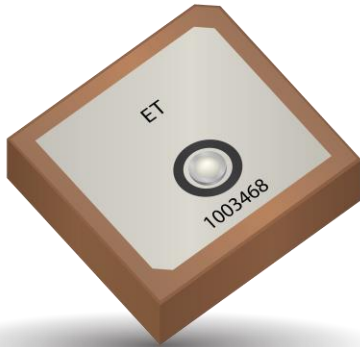


Part No. 1003468

Wi-Fi/ BT/ Zigbee Ceramic Patch 2.4 GHz Antenna

2.4 GHz

Supports: Wi-Fi applications, Agriculture, Automotive, Bluetooth, Zigbee, WLAN, Smart Home, Healthcare, Digital Signage



Ceramic Wi-Fi / BT / Patch Antenna

2400 – 2485 MHz

KEY BENEFITS

Reduced Costs and Time-to-Market

Standard antenna eliminates design fees and cycle time associated with a custom solution; getting products to market faster.

Quicker Time-to-Market

By optimizing antenna size, performance and emissions, customer and regulatory specifications are more easily met.

Reliability

Products are the latest RoHS version compliant.

APPLICATIONS

- Embedded design
- POS, Headsets, Tablets
- Gateway, Access Point
- Handheld
- Telematics
- Tracking
- Healthcare
- M2M, Industrial devices
- Smart Grid
- OBD-II

The Ceramic Patch 1003468 offers all the advantages of a circular polarized 2.4GHz antenna in a small factor, easy to integrate to all the embedded designs requiring high performances and long range

Electrical Specifications

Typical characteristics, measured on a 50 x 50 mm PCB ground plane.

Frequency (GHz)	2.400 – 2.485
Peak Gain	3.83 dB
Average Efficiency	74 %
VSWR Match	2:1 max
Polarization	Circular RHCP
Feed Point Impedance	50 Ohms unbalanced
Peak Gain	3.83 dB

Mechanical Specifications & Ordering Part Number

Ordering Part Number	1003468
Size (mm)	18.0 x 18.0 x 4.0
Mounting (mm)	Back adhesive and pin
Weight (grams)	4.8
Packaging	Plastic Tray



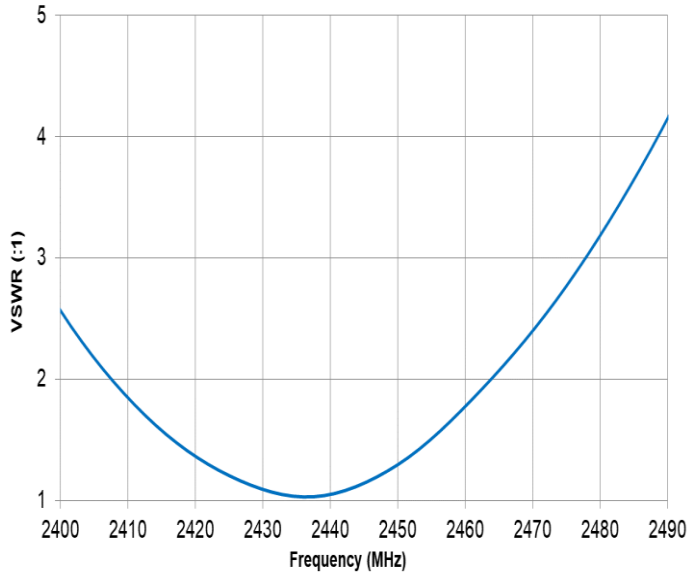
2.4 GHz Ceramic Patch Antenna Specifications

Ethertronics produces a wide variety of standard and custom antennas to meet user needs.

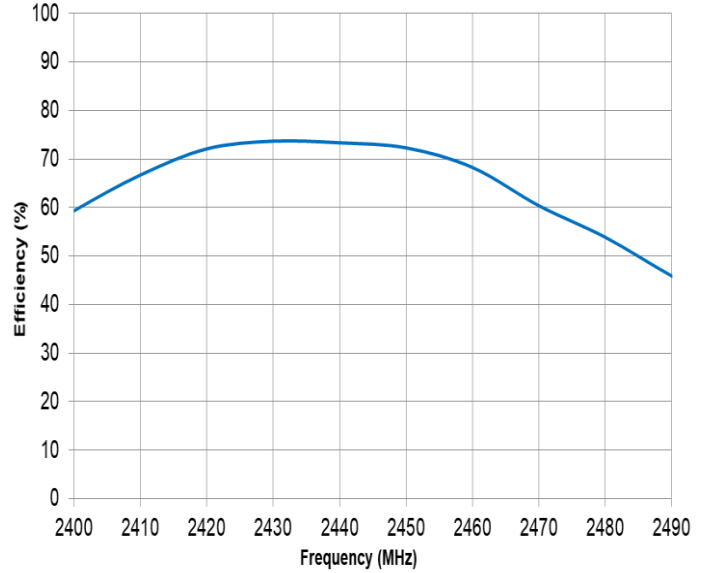
VSWR and Efficiency Plots

Measured on a 50 x 50 mm ground plane

VSWR

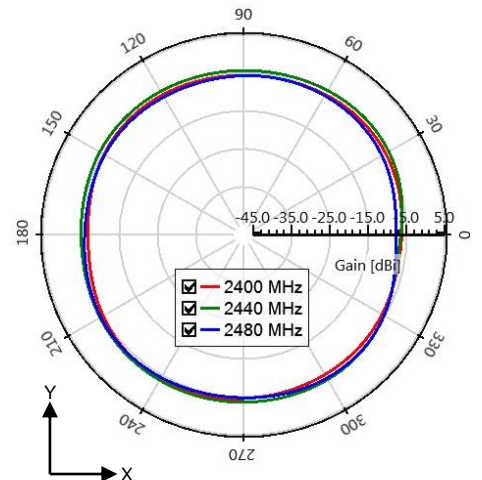
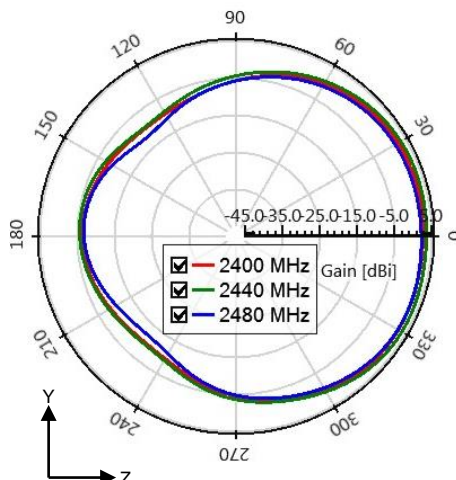
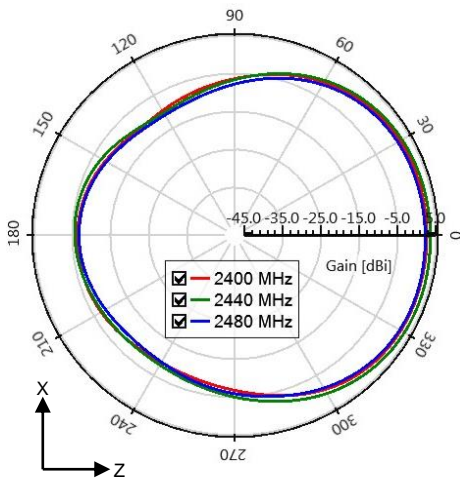
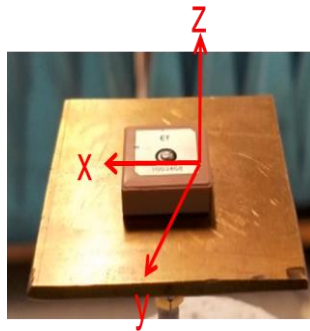


Efficiency



Antenna radiation patterns

Measured on a 50 x 50 mm ground plane





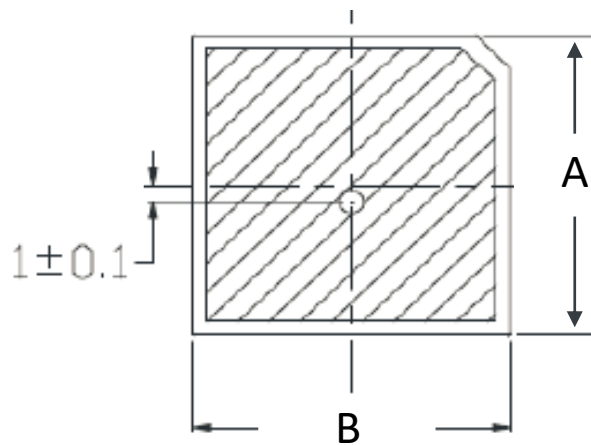
2.4 GHz Ceramic Patch Antenna Specifications

Ethertronics produces a wide variety of standard and custom antennas to meet user needs.

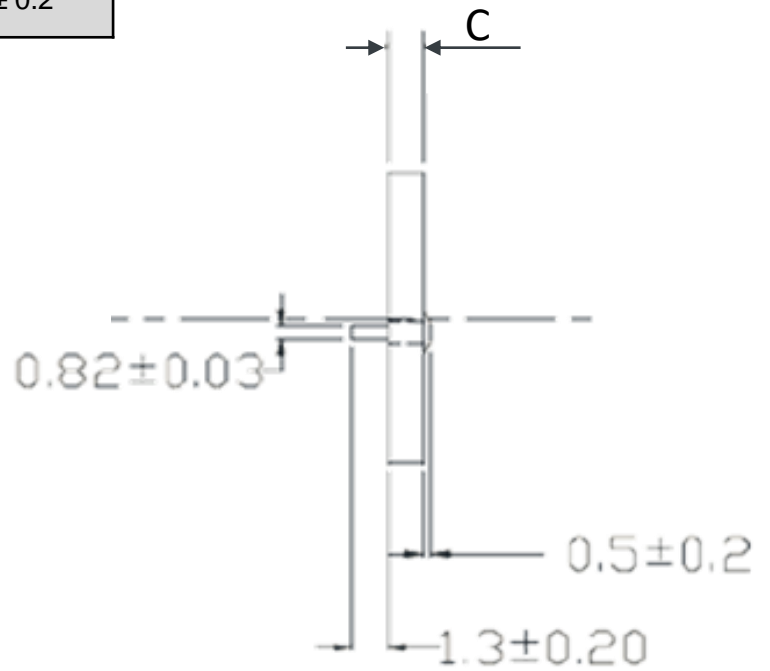
Mechanical Dimensions

Typical antenna dimensions, in mm.

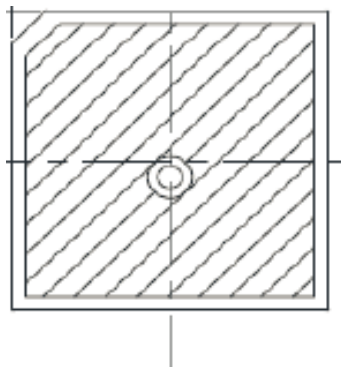
Part Number	A (mm)	B (mm)	C (mm)
1003468	18.0 ± 0.2	18.0 ± 0.2	4.0 ± 0.2



Top View



Side View



Bottom View

X-ON Electronics

Largest Supplier of Electrical and Electronic Components

Click to view similar products for [Antennas](#) category:

Click to view products by [Kyocera AVX](#) manufacturer:

Other Similar products are found below :

[GAN30084EU](#) [930-033-R](#) [GW17.07.0250E](#) [1513563-1](#) [EXE902SM](#) [APAMPG-117](#) [MAF94383](#) [W3908B0100](#) [W6102B0100](#) [YE572113-30RSMM](#) [108-00014-50](#) [66089-2406](#) [SPDA17RP918](#) [A09-F8NF-M](#) [A09-F5NF-M](#) [RGFRA1903041A1T](#) [W3593B0100](#) [W3921B0100](#) [SIMNA-868](#) [SIMNA-915](#) [SIMNA-433](#) [W1044](#) [W1049B090](#) [A75-001](#) [WTL2449CQ1-FRSMM](#) [CPL9C](#) [EXB148BN](#) [0600-00060](#) [TRA9020S3PBN-001](#) [Y4503](#) [GD5W-28P-NF](#) [MA9-7N](#) [GD53-25](#) [GD5W-21P-NF](#) [C37](#) [MAF94051](#) [MA9-5N](#) [EXD420PL](#) [B1322NR](#) [QWFTB120](#) [MAF94271](#) [MAF94300](#) [GPSMB301](#) [FG4403](#) [AO-AGSM-OM54](#) [5200232](#) [MIKROE-2349](#) [WCM.01.0111](#) [MIKROE-2393](#) [MIKROE-2352](#)