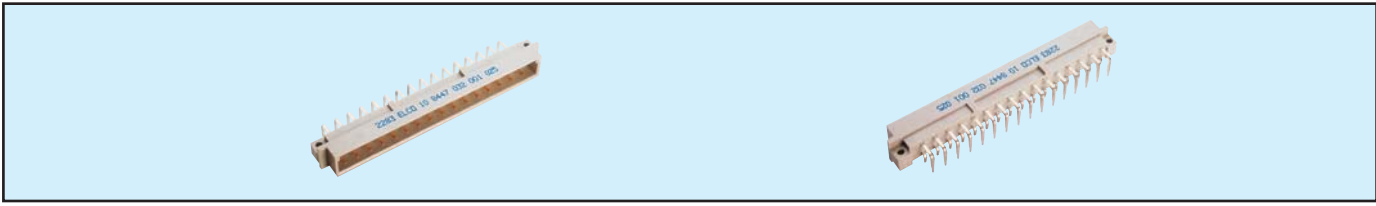


# Male Style D

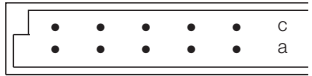
## Series 8447 – 2 rows (2 x 16)



Contact Design and Termination Length	Number of Contacts	Loading Description	Part Number Performance classes according to DIN 41612	
			II	I
3.0 mm (Y) (0.6 x 0.6 mm) Right Angled Pitch 5.08	32	a + c fully loaded	10 8447 032 001 025	10 8447 032 001 049
3.0 mm (Y) (0.6 x 0.6 mm) Right Angled Pitch 2.54	32	a + c fully loaded	10 8447 032 002 025	10 8447 032 002 049

NB: Alternative Prefix Variations Available: 12, please refer to Page 10.  
Additional Plating & Loading Variations: Please contact your local AVX sales office or distributor.

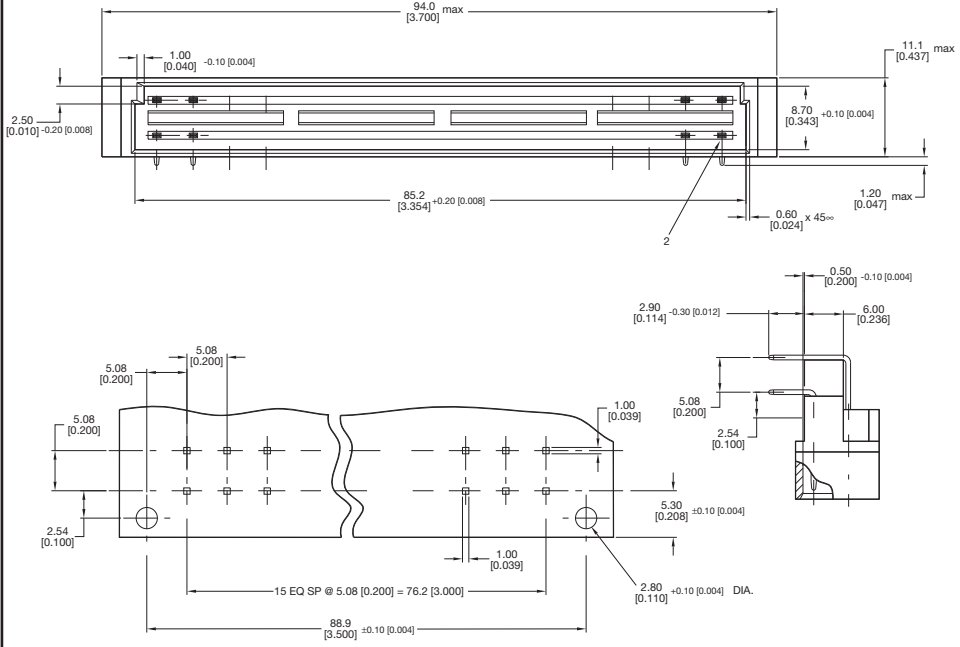
### LOADING DESCRIPTION



32 contacts, rows a + c fully loaded

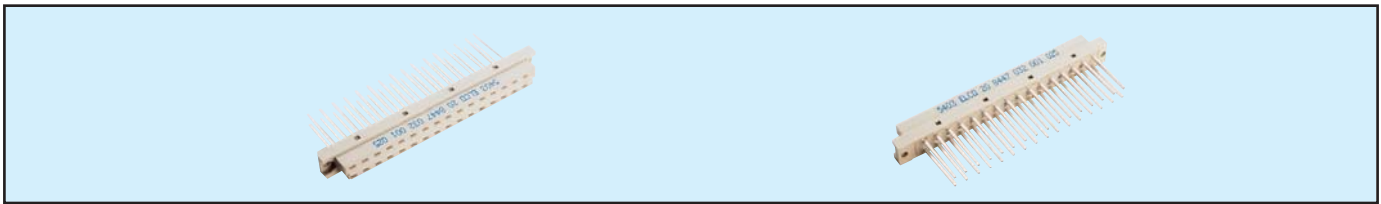
Ground pin not available

### DIMENSIONS



# Female Style D

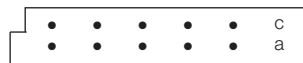
## Series 8447 – 2 rows (2 x 16)



Contact Design and Termination Length	Number of Contacts	Loading Description	Part Number Performance classes according to DIN 41612	
			II	I
1 x 1 mm Post Profile 20.0 mm (Y) Straight	32	a + c fully loaded	20 8447 032 001 025	20 8447 032 001 049
1 x 1 mm Post Profile 9.0 mm (Y) Straight	32	a + c fully loaded	20 8447 032 002 025	20 8447 032 002 049
0.6 x 0.6 mm Post Profile 4.0 mm (Y) Straight	32	a + c fully loaded	20 8447 032 003 025	20 8447 032 003 049
0.6 x 1.28 mm Post Profile 4.5 mm (Y) Straight	32	a + c fully loaded	20 8447 032 006 025	20 8447 032 006 049

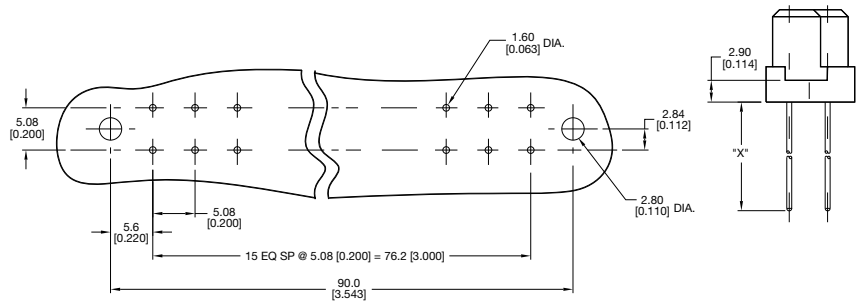
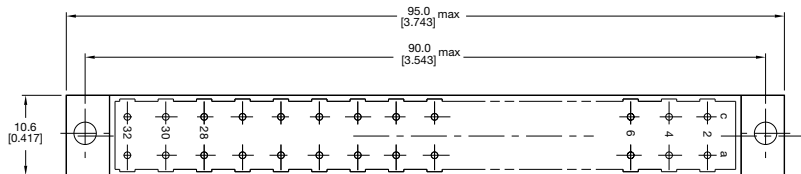
NB: Alternative Prefix Variations Available: 22, please refer to Page 10.  
Additional Plating & Loading Variations: Please contact your local AVX sales office or distributor.

### LOADING DESCRIPTION



32 contacts, rows a + c fully loaded

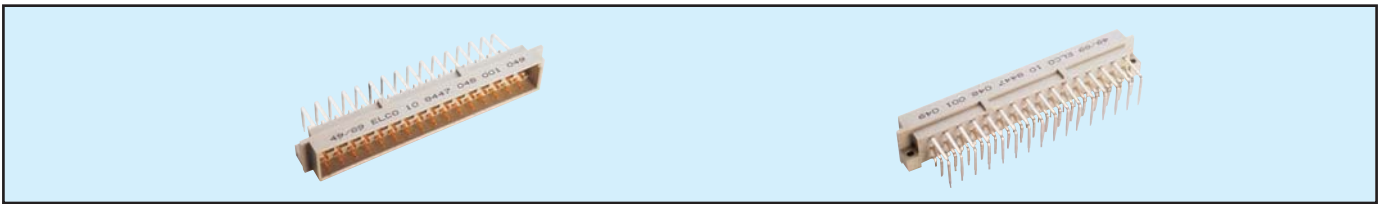
### DIMENSIONS



# Male Style E



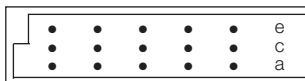
## Series 8447 – 3 rows (3 x 16)



Contact Design and Termination Length	Number of Contacts	Loading Description	Part Number Performance classes according to DIN 41612	
			II	I
3.0 mm (Y) (0.6 x 0.6 mm) Right Angled Pitch 5.08	48	a + c + e fully loaded	10 8447 048 001 025	10 8447 048 001 049
3.0 mm (Y) (0.6 x 0.6 mm) Right Angled Pitch 2.54	48	a + c + e fully loaded	10 8447 048 002 025	10 8447 048 002 049

NB: Alternative Prefix Variations Available: 12, please refer to Page 10.  
Additional Plating & Loading Variations: Please contact your local AVX sales office or distributor.

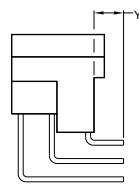
### LOADING DESCRIPTION



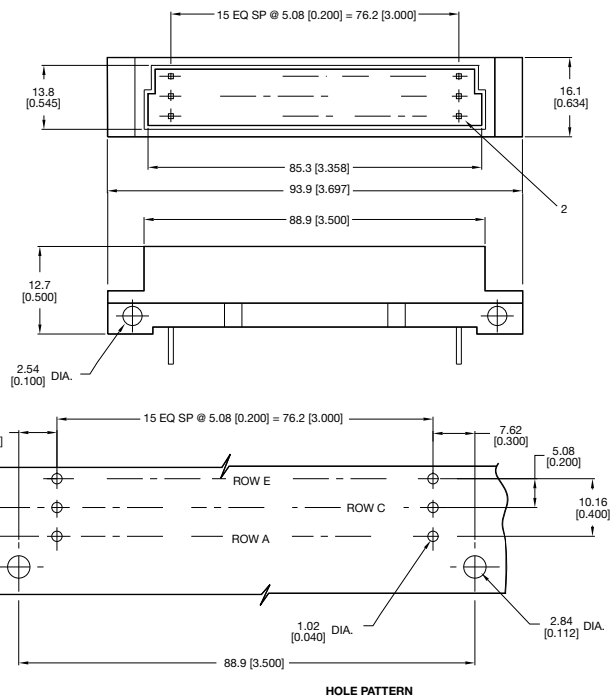
48 contacts, rows a + c + e fully loaded

Ground pin not available

### DIMENSIONS



For Y dimension see contact design



# Female Style E

## Series 8447 – 3 rows (3 x 16)



Contact Design and Termination Length	Number of Contacts	Loading Description	Part Number Performance classes according to DIN 41612	
			II	I
1 x 1 mm Post Profile 20.0 mm (Y) Straight	48	a + c + e fully loaded	20 8447 048 001 025	20 8447 048 001 049
1 x 1 mm Post Profile 9.0 mm (Y) Straight	48	a + c + e fully loaded	20 8447 048 002 025	20 8447 048 002 049
0.6 x 0.6 mm Post Profile 4.0 mm (Y) Straight	48	a + c + e fully loaded	20 8447 048 003 025	20 8447 048 003 049
0.6 x 1.28 mm Post Profile 4.5 mm (Y) Straight	48	a + c + e fully loaded	20 8447 048 006 025	20 8447 048 006 049

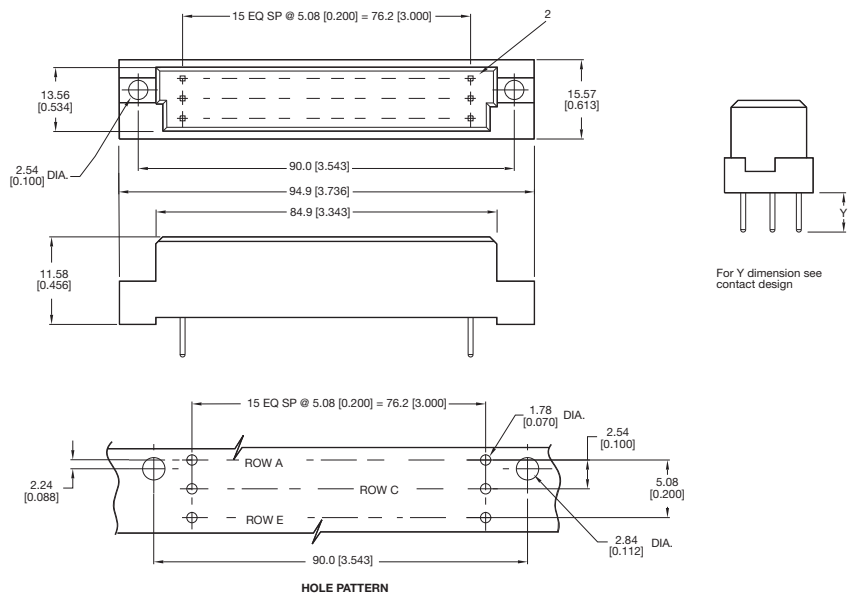
NB: Alternative Prefix Variations Available: 22, please refer to Page 10.  
Additional Plating & Loading Variations: Please contact your local AVX sales office or distributor.

### LOADING DESCRIPTION



48 contacts, rows a + c + e fully loaded

### DIMENSIONS



## X-ON Electronics

Largest Supplier of Electrical and Electronic Components

*Click to view similar products for [DIN 41612 Connectors](#) category:*

*Click to view products by [Kyocera AVX](#) manufacturer:*

Other Similar products are found below :

[004.767](#) [608489050008049](#) [691327-1](#) [74670-0732](#) [74680-0340](#) [75880-0015](#) [76453-0014](#) [86093159ALF](#) [9732967801](#) [QLC260R](#)  
[120X10019X](#) [120X10089X](#) [122A10249X](#) [122A11089X](#) [122A13089X](#) [122A10089X](#) [122A10129X](#) [122A10349X](#) [122A13359X](#) [1377391-4](#)  
[DIN-048CPC-SR1-MH](#) [1393583-2](#) [1393726-7](#) [140X10129X](#) [143-1913-000](#) [143-1908-000](#) [1484472-1](#) [2110070-1](#) [2110070-2](#) [CBC20T00-](#)  
[008FDS5-0-1-002VR](#) [172699-5036](#) [2-1393557-4](#) [2-1437084-2](#) [394506](#) [419-2080-402](#) [V42254B2202C968](#) [419-2086-201](#) [419-2087-002](#)  
[448657-1](#) [448847-3](#) [5-1393755-9](#) [02990000004](#) [054302](#) [043556](#) [09062483201750](#) [0850033067](#) [09031646555](#) [09061486901840](#)  
[09185107324800](#) [102A10019X](#)