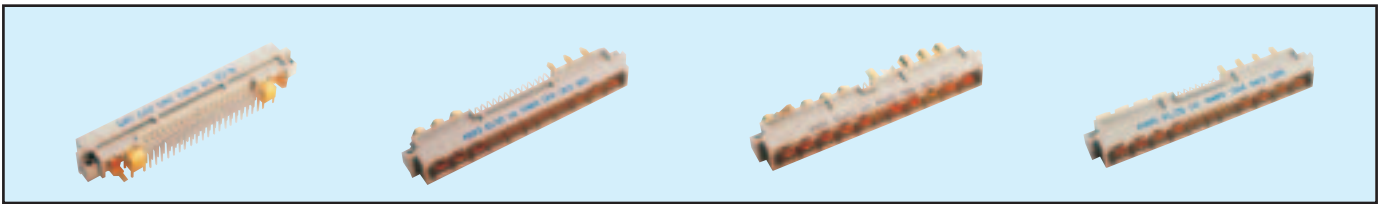


# Male Style M

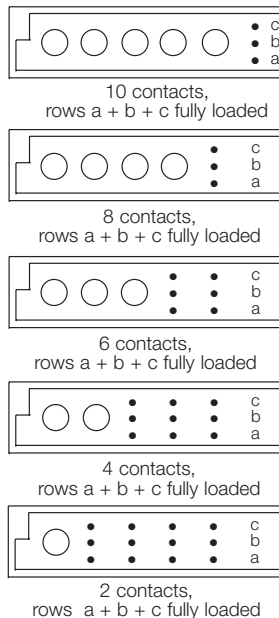
## Series 8483 – Fully loaded



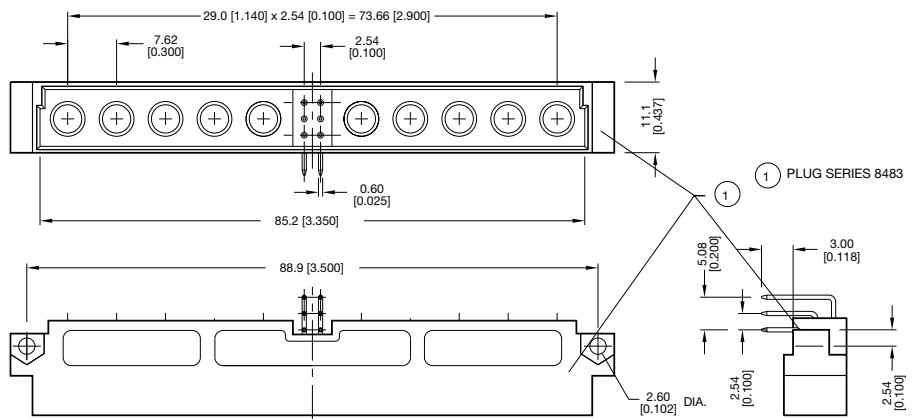
Contact Design and Termination Length	No. of Cavities For Signal Contacts	No. of Cavities for Special Contacts	Loading Description	Part Number Performance classes according to DIN 41612	
				II	I
3.0 mm (Y) Straight	6 (3 x 2)	10	a + b + c fully loaded	10 8483 006 001 025	10 8483 006 001 049
	24 (3 x 8)	8	a + b + c fully loaded	10 8483 024 001 025	10 8483 024 001 049
	42 (3 x 14)	6	a + b + c fully loaded	10 8483 042 001 025	10 8483 042 001 049
	60 (3 x 20)	4	a + b + c fully loaded	10 8483 060 001 025	10 8483 060 001 049
	78 (3 x 26)	2	a + b + c fully loaded	10 8483 078 001 025	10 8483 078 001 049
11.4 mm (Y) Straight	6 (3 x 2)	10	a + b + c fully loaded	10 8483 006 002 025	10 8483 006 002 049
	24 (3 x 8)	8	a + b + c fully loaded	10 8483 024 002 025	10 8483 024 002 049
	42 (3 x 14)	6	a + b + c fully loaded	10 8483 042 002 025	10 8483 042 002 049
	60 (3 x 20)	4	a + b + c fully loaded	10 8483 060 002 025	10 8483 060 002 049
	78 (3 x 26)	2	a + b + c fully loaded	10 8483 078 002 025	10 8483 078 002 049
3.0 mm (Y) Right Angled	6 (3 x 2)	10	a + b + c fully loaded	10 8483 006 003 025	10 8483 006 003 049
	24 (3 x 8)	8	a + b + c fully loaded	10 8483 024 003 025	10 8483 024 003 049
	42 (3 x 14)	6	a + b + c fully loaded	10 8483 042 003 025	10 8483 042 003 049
	60 (3 x 20)	4	a + b + c fully loaded	10 8483 060 003 025	10 8483 060 003 049
	78 (3 x 26)	2	a + b + c fully loaded	10 8483 078 003 025	10 8483 078 003 049
11.3mm (Y) Right Angled	6 (3 x 2)	10	a + b + c fully loaded	10 8483 006 004 025	10 8483 006 004 049
	24 (3 x 8)	8	a + b + c fully loaded	10 8483 024 004 025	10 8483 024 004 049
	42 (3 x 14)	6	a + b + c fully loaded	10 8483 042 004 025	10 8483 042 004 049
	60 (3 x 20)	4	a + b + c fully loaded	10 8483 060 004 025	10 8483 060 004 049
	78 (3 x 26)	2	a + b + c fully loaded	10 8483 078 004 025	10 8483 078 004 049
Solder hole rows a + c 6.1 mm row b 8.8 mm	6 (3 x 2)	10	a + b + c fully loaded	10 8483 006 006 025	10 8483 006 006 049
	24 (3 x 8)	8	a + b + c fully loaded	10 8483 024 006 025	10 8483 024 006 049
	42 (3 x 14)	6	a + b + c fully loaded	10 8483 042 006 025	10 8483 042 006 049
	60 (3 x 20)	4	a + b + c fully loaded	10 8483 060 006 025	10 8483 060 006 049
	78 (3 x 26)	2	a + b + c fully loaded	10 8483 078 006 025	10 8483 078 006 049

NB: Additional Plating & Loading Variations: Please contact your local AVX sales office or distributor.

### LOADING DESCRIPTION



### DIMENSIONS



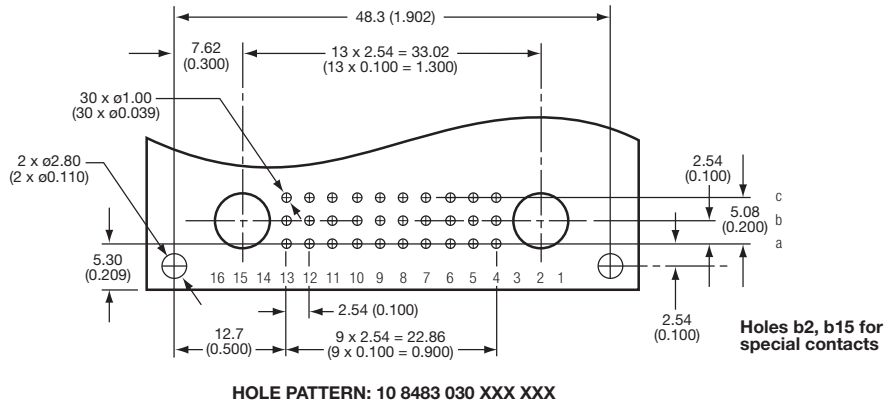
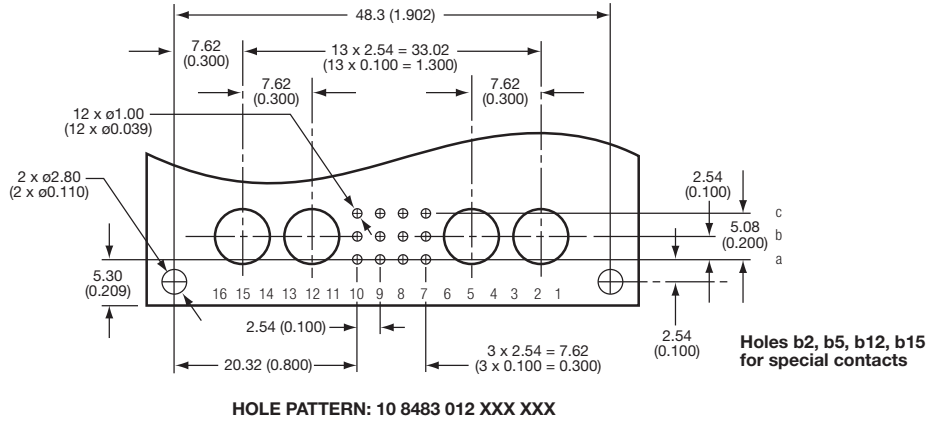
See Page 45 for board layout

# Style M Connectors

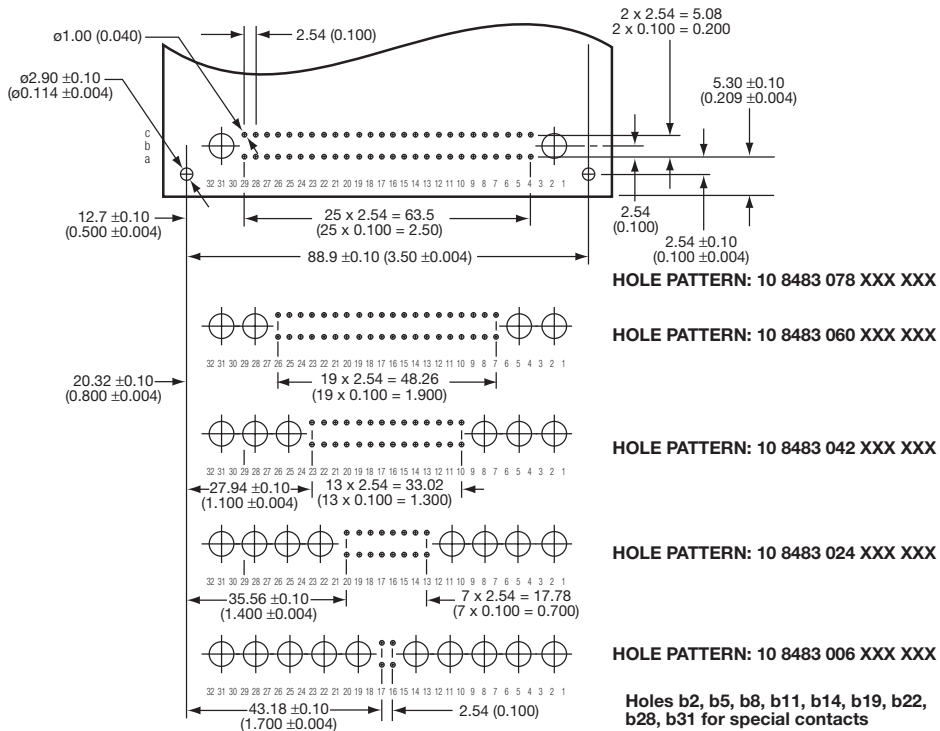


## Board Layouts

### STYLE 1/2 M



### STYLE M



## X-ON Electronics

Largest Supplier of Electrical and Electronic Components

*Click to view similar products for [DIN 41612 Connectors](#) category:*

*Click to view products by [Kyocera AVX](#) manufacturer:*

Other Similar products are found below :

[004.767](#) [608489050008049](#) [691327-1](#) [74670-0732](#) [74680-0340](#) [75880-0015](#) [76453-0014](#) [86093159ALF](#) [9732967801](#) [QLC260R](#)  
[120X10019X](#) [120X10089X](#) [122A10249X](#) [122A11089X](#) [122A13089X](#) [122A10089X](#) [122A10129X](#) [122A10349X](#) [122A13359X](#) [1377391-4](#)  
[DIN-048CPC-SR1-MH](#) [1393583-2](#) [1393726-7](#) [140X10129X](#) [143-1913-000](#) [143-1908-000](#) [1484472-1](#) [2110070-1](#) [2110070-2](#) [CBC20T00-](#)  
[008FDS5-0-1-002VR](#) [172699-5036](#) [2-1393557-4](#) [2-1437084-2](#) [394506](#) [419-2080-402](#) [419-2085-302](#) [V42254B2202C968](#) [419-2086-201](#) [419-](#)  
[2087-002](#) [448657-1](#) [448847-3](#) [5-1393755-9](#) [02990000004](#) [033020](#) [054302](#) [043556](#) [0760557108](#) [09062483201750](#) [0850033067](#)  
[09031646555](#)