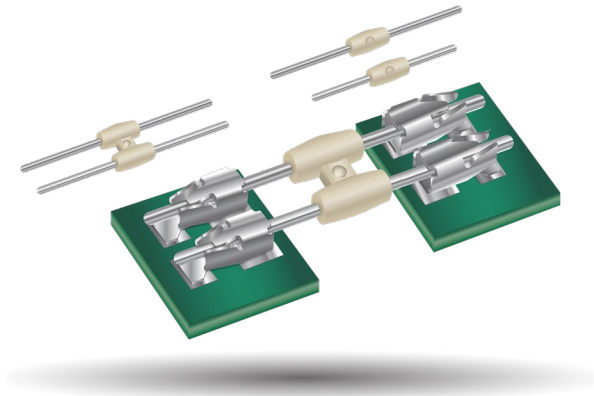
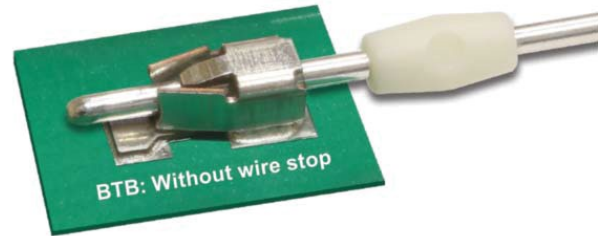


# Jumper: 10-9296 BTB

## General Description



- Multiple jumper pins to be used in linear BTB applications
- 1.0mm pin diameter comes in a 38.15mm and 26mm length
  - 1.0mm pin to be used with 709296001025016
- 0.8mm pin diameter comes in a 16mm length
  - 0.8mm pin to be used with 709296001002016 and the 9296-202 series



## APPLICATIONS

- The 709296001025016 and 709296001002016 contacts without a wire stop, allow the pin header to pass straight thru the contacts until the final seating/mating dimension is achieved
- Single pin connection between linear PCB's
- 38mm pin allows for modules to be connected where the PCB is recessed within the plastic housing.

## FEATURES AND BENEFITS

- Absorption of PCB and module mating tolerances by allowing the unrestricted pin to pass through the contact by eliminating the traditional wire stop
- Two different pin lengths and pin diameters to accommodate a
- number of board-to-board and module-to-module connections
- The unique geometry of the insulator lends itself to water tightness when matched with a corresponding housing cavity

## ELECTRICAL

- Current Rating:
  - 1.0mm Pin Diameter = 6.5A
  - 0.8mm Pin Diameter = 5A
- Voltage Rating:
  - 300V (based on contact spacing)

## ENVIRONMENTAL

- Operating Temperature:
  - 40°C to +105°C

## MECHANICAL

- Insulator Material: Glass-Filled Nylon PA-66; UL94V0
- Contact Material: Brass
- Plating: Lead-Free Tin Over Nickel
- Durability: 3 Cycles

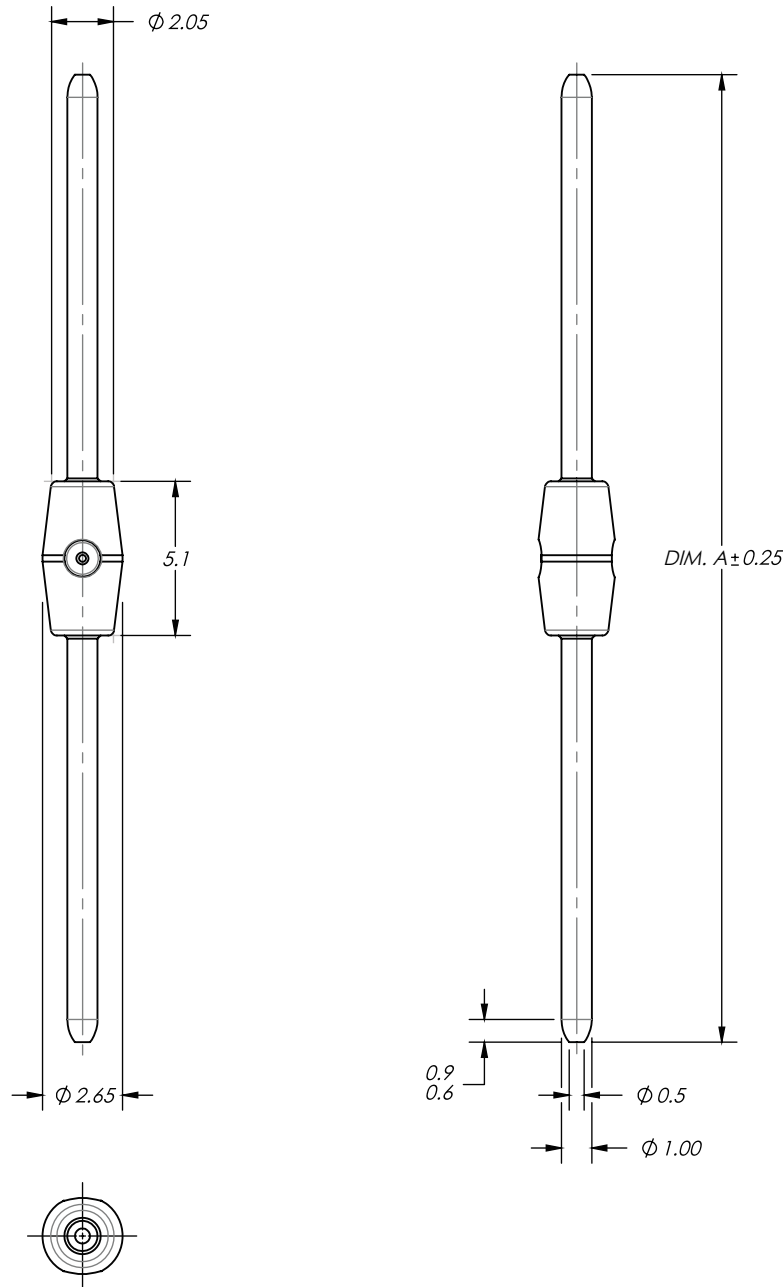
## HOW TO ORDER

<b>10</b>	<b>9296</b>	<b>00X</b>	<b>XXX</b>	<b>X</b>	<b>X</b>	<b>6</b>
Prefix	Series	Number of Positions	Pin Length	Housing Color	Pin Size/Spacing	Contact Plating
10 = Plug		001 = 1 pin 002 = 2 pin	0.8mm Dia. Pin 160 = 16mm 1.0mm Dia. Pin 260 = 26mm 381 = 38.15mm	Standard 9 = White/Natural Special Order 2 = Brown 3 = Blue 4 = Yellow 5 = Red 6 = Green 7 = Orange	Pin diameter/Spacing* 0 = $\phi$ 1.00 on 4.00mm Pitch 1 = $\phi$ 0.80 on 3.00mm Pitch	6 = Pure Tin

Certification: UL File #E90723



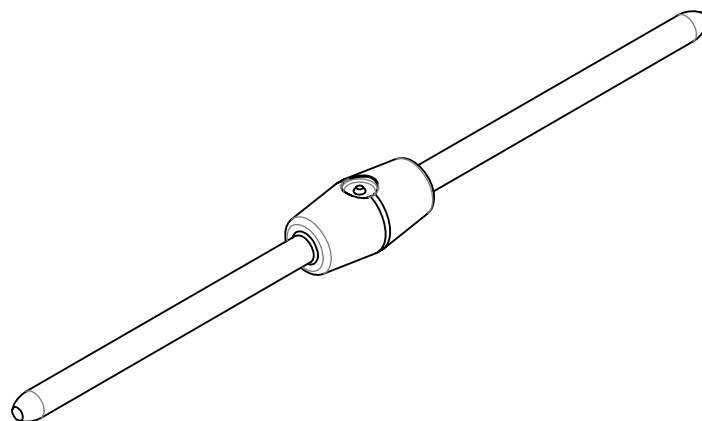
## 10-9296-001-XXX-X06 (1.0MM)



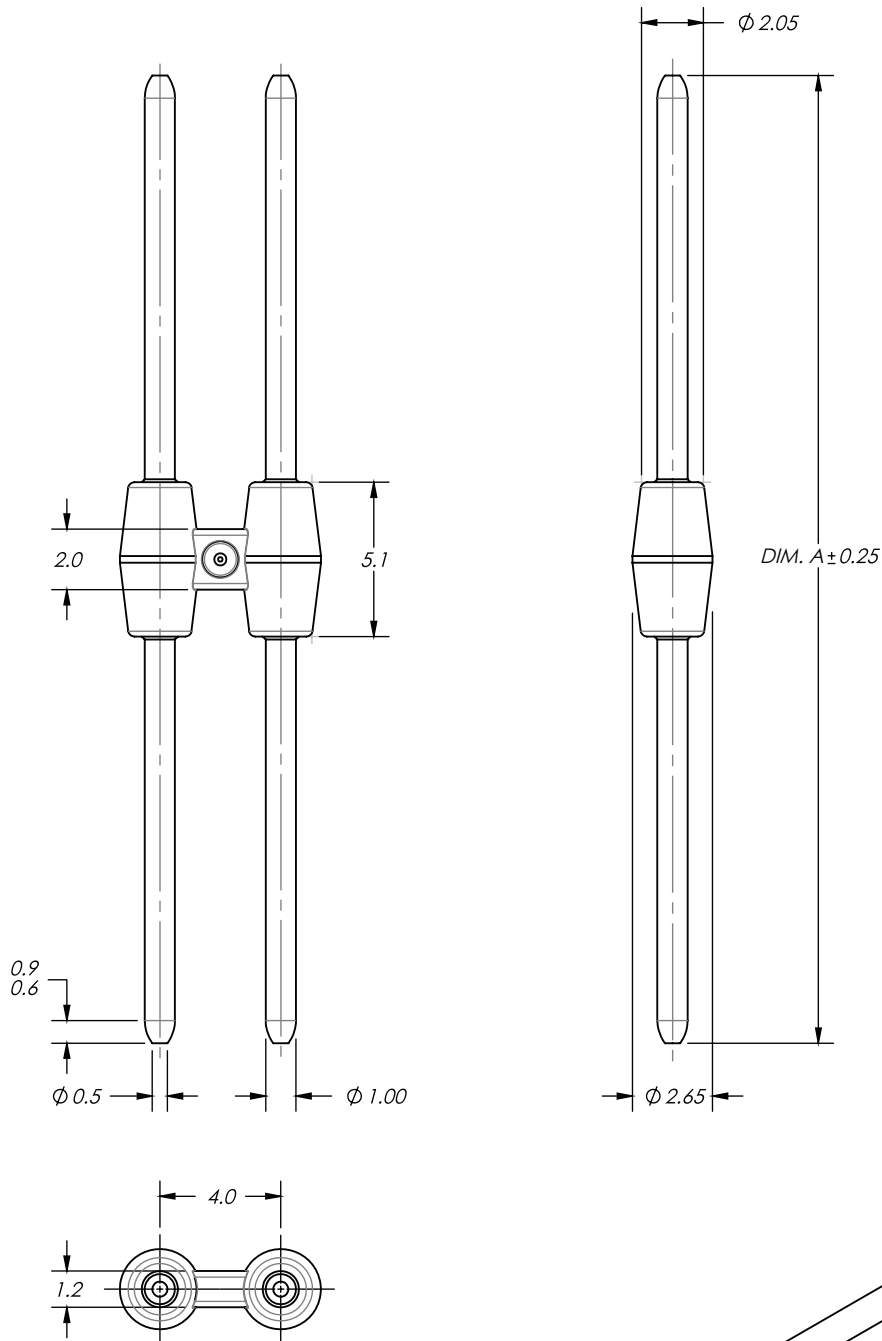
Part Number	Dim. A
10-9296-001-260-X06	26.0
10-9296-001-381-X06	38.15

### NOTES:

- HOUSING MATERIAL: GLASS-FILLED NYLON; PA-66;  
FLAME RETARDANT PER UL94V-0; COLOR: PER CODE.
- PIN MATERIAL: BRASS.
- PIN PLATING: LEAD-FREE TIN OVER NICKEL.
- PACKAGING TO BE BULK, 1,000 PER BAG.
- SPECIFICATIONS:
  - CURRENT RATING: 6.5A
  - INSULATION RESISTANCE: 1,000M $\Omega$  MINIMUM
  - CONTACT RESISTANCE: 25 $\Omega$  MAXIMUM
  - DIELECTRIC WITHSTANDING VOLTAGE: 1,600V AC/DC
  - OPERATING TEMPERATURE: SPEC -40°C TO +125°C - UL RATING UP TO 130°C.



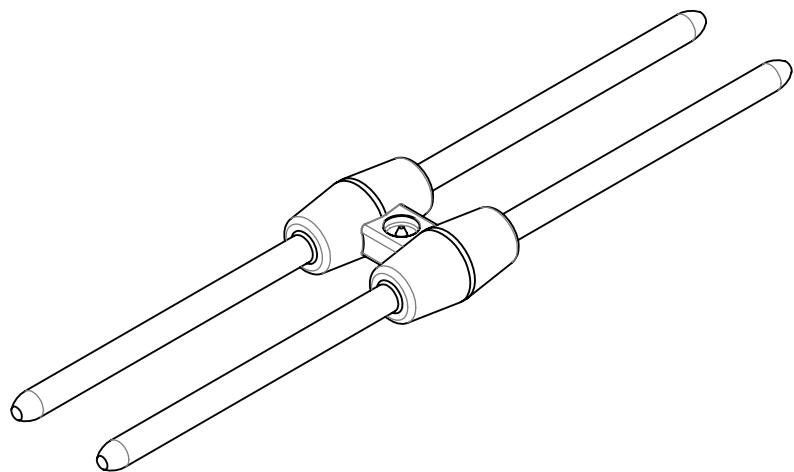
## 10-9296-002-XXX-X06 (1.0MM)



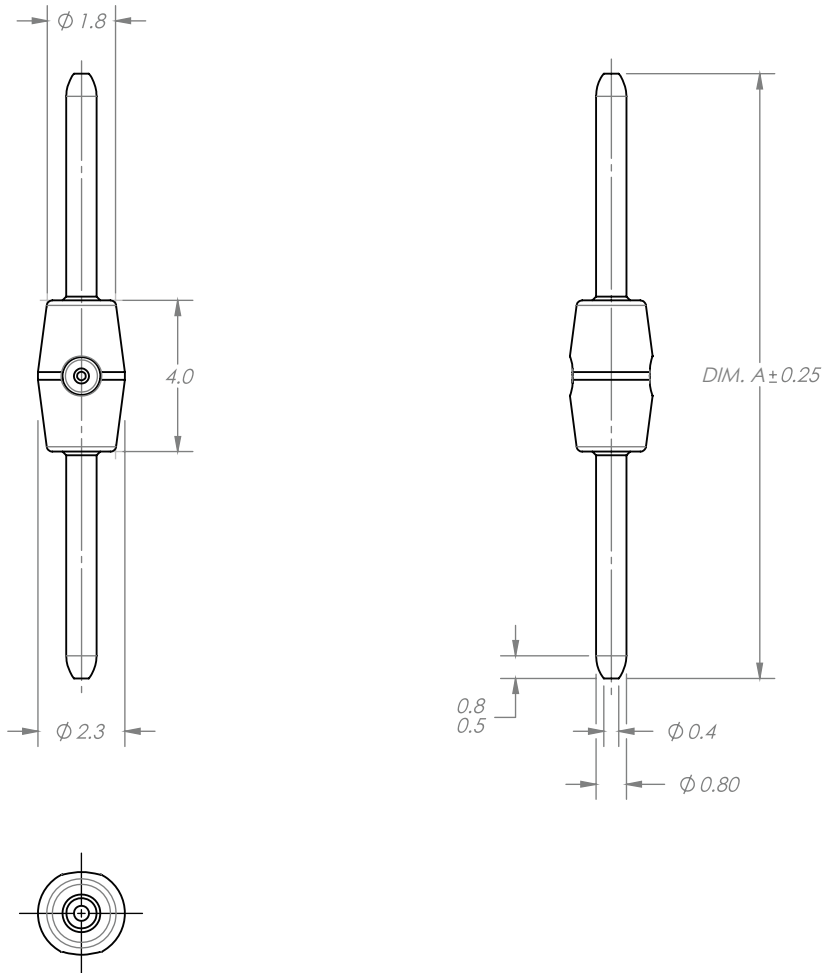
Part Number	Dim. A
10-9296-001-260-906	26.0
10-9296-001-381-906	38.15

### NOTES:

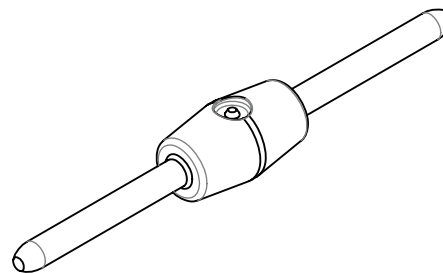
- HOUSING MATERIAL: GLASS-FILLED NYLON; PA-66;  
FLAME RETARDANT PER UL94V-0; COLOR: PER CODE.
- PIN MATERIAL: BRASS.
- PIN PLATING: LEAD-FREE TIN OVER NICKEL.
- PACKAGING TO BE BULK, 500 PER BAG.
- SPECIFICATIONS:
  - CURRENT RATING: 6.5A
  - INSULATION RESISTANCE: 1,000M $\Omega$  MINIMUM
  - CONTACT RESISTANCE: 25 $\Omega$  MAXIMUM
  - DIELECTRIC WITHSTANDING VOLTAGE: 1,600V AC/DC
  - OPERATING TEMPERATURE: SPEC -40°C TO +125°C - UL RATING UP TO 130°C.



## 10-9296-001-XXX-X16 (0.8MM)



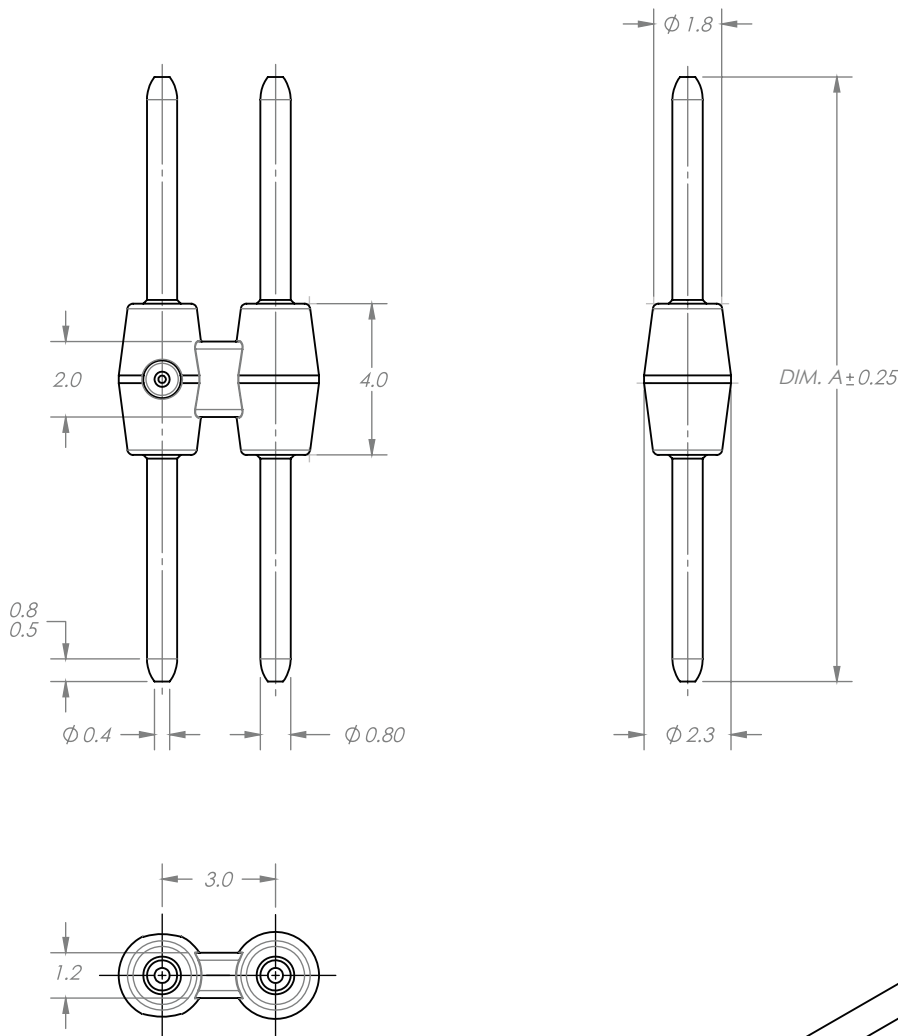
Part Number	Dim. A
10-9296-001-160-X16	26.0
T.B.D.	T.B.D.



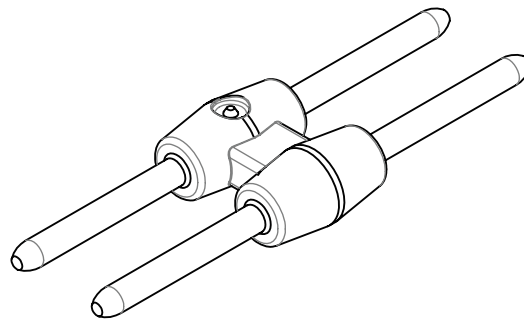
### NOTES:

1. HOUSING MATERIAL: GLASS-FILLED NYLON; PA-66;  
FLAME RETARDANT PER UL94V-0; COLOR: PER CODE.
2. PIN MATERIAL: BRASS.
3. PIN PLATING: LEAD-FREE TIN OVER NICKEL.
4. PACKAGING TO BE BULK, 1,000 PER BAG.
5. SPECIFICATIONS:
  - CURRENT RATING: 5.0 AMPS
  - INSULATION RESISTANCE: 1,000M $\Omega$  MINIMUM
  - CONTACT RESISTANCE: 25 $\Omega$  MAXIMUM
  - DIELECTRIC WITHSTANDING VOLTAGE: 1,600V AC/DC
  - OPERATING TEMPERATURE: SPEC -40°C TO +125°C - UL RATING UP TO 130°C.
6. GENERAL TOLERANCE -  $\pm 0.2$ .

## 10-9296-002-XXX-X16 (0.8MM)



Part Number	Dim. A
10-9296-001-160-X16	16.0
T.B.D.	T.B.D.



### NOTES:

1. HOUSING MATERIAL: GLASS-FILLED NYLON; PA-66;  
FLAME RETARDANT PER UL94V-0; COLOR: PER CODE.
2. PIN MATERIAL: BRASS.
3. PIN PLATING: LEAD-FREE TIN OVER NICKEL.
4. PACKAGING TO BE BULK, 1,000 PER BAG.
5. SPECIFICATIONS:
  - CURRENT RATING: 5.0 AMPS
  - INSULATION RESISTANCE: 1,000M $\Omega$  MINIMUM
  - CONTACT RESISTANCE: 25 $\Omega$  MAXIMUM
  - DIELECTRIC WITHSTANDING VOLTAGE: 1,600V AC/DC
  - OPERATING TEMPERATURE: SPEC -40°C TO +125°C - UL RATING UP TO 130°C.
6. GENERAL TOLERANCE -  $\pm 0.2$ .

## X-ON Electronics

Largest Supplier of Electrical and Electronic Components

*Click to view similar products for [Board to Board & Mezzanine Connectors](#) category:*

*Click to view products by [Kyocera AVX](#) manufacturer:*

Other Similar products are found below :

[589158040000018](#) [MDF7C-18P-2.54DSA\(55\)](#) [FCN-230C068-11](#) [FCN-268F012-G/BD](#) [FCN-268F036-G/BD](#) [FCN-268M012-G/0D](#) [FCN-268M024-G/1D](#) [FCN-723J004/1](#) [MIS-048-01-F-D-DP-K](#) [832-10-034-10-001000](#) [FX4C-80S-1.27DSA](#) [FCN-214Q030-G/0](#) [FCN-234P048-G/0](#) [FCN-235D050-G/C](#) [210-93-314-41-105000](#) [2-22603-0](#) [MDF7-40DP-2.54DSA\(55\)](#) [AXG720047](#) [5031084030](#) [MIT-114-03-F-D-K](#) [55323-1519](#) [DF33-2P-3.3DSA\(24\)](#) [YFT-20-05-H-03-SB-K](#) [503308-3040](#) [026-6203-PDB](#) [027-6203-PDB](#) [069159702701000](#) [10123981-102LF](#) [101A10019X](#) [55650-0588-C](#) [68682-310LF](#) [68684-306](#) [75140-7012](#) [87471-650](#) [194261-1](#) [FCN-268F024-G0D](#) [10124054-515LF](#) [68685-603](#) [8-1616154-3](#) [MIS-019-01-F-D](#) [FCN-268M024-G/3D](#) [20021832-06016C1LF](#) [KX15-20KLDL-E1000E](#) [MDF7-16DP-2.54DSA\(55\)](#) [AXE810124](#) [FCN-214J100-G/0](#) [FCN-230C068-E/S](#) [AXE812124](#) [AXE816124](#) [AXE720127](#)