

| NO. | DESCRIPTION  | PART NO. | QTY | MATERIAL               | DRW NO. | REMARKS                |
|-----|--------------|----------|-----|------------------------|---------|------------------------|
| 1   | INSULATOR    |          | 1   | HEAT RESISTING PLASTIC |         | COLOR:BLACK<br>UL94V-0 |
| 2   | CONTACT      |          | N   | COPPER-ALLOY           |         | Au, Be-Free            |
| 3   | ANCHOR PLATE |          | 2   | COPPER-ALLOY           |         | Au, Be-Free            |

| 極数<br>NO. OF<br>POS. | A     | B     | C     | D     | E     | F     | G     |
|----------------------|-------|-------|-------|-------|-------|-------|-------|
| 6                    | 0.70  | 2.40  | 3.40  | 1.80  | 2.30  | 1.31  | 2.82  |
| 10                   | 1.40  | 3.10  | 4.10  | 2.50  | 3.00  | 2.01  | 3.52  |
| 12                   | 1.75  | 3.45  | 4.45  | 2.85  | 3.35  | 2.36  | 3.87  |
| 16                   | 2.45  | 4.15  | 5.15  | 3.55  | 4.05  | 3.06  | 4.57  |
| 18                   | 2.80  | 4.50  | 5.50  | 3.90  | 4.40  | 3.41  | 4.92  |
| 24                   | 3.85  | 5.55  | 6.55  | 4.95  | 5.45  | 4.46  | 5.97  |
| 30                   | 4.90  | 6.60  | 7.60  | 6.00  | 6.50  | 5.51  | 7.02  |
| 34                   | 5.60  | 7.30  | 8.30  | 6.70  | 7.20  | 6.21  | 7.72  |
| 40                   | 6.65  | 8.35  | 9.35  | 7.75  | 8.25  | 7.26  | 8.77  |
| 42                   | 7.00  | 8.70  | 9.70  | 8.10  | 8.60  | 7.61  | 9.12  |
| 44                   | 7.35  | 9.05  | 10.05 | 8.45  | 8.95  | 7.96  | 9.47  |
| 46                   | 7.70  | 9.40  | 10.40 | 8.80  | 9.30  | 8.31  | 9.82  |
| 48                   | 8.05  | 9.75  | 10.75 | 9.15  | 9.65  | 8.66  | 10.17 |
| 50                   | 8.40  | 10.10 | 11.10 | 9.50  | 10.00 | 9.01  | 10.52 |
| 54                   | 9.10  | 10.80 | 11.80 | 10.20 | 10.70 | 9.71  | 11.22 |
| 60                   | 10.15 | 11.85 | 12.85 | 11.25 | 11.75 | 10.76 | 12.27 |

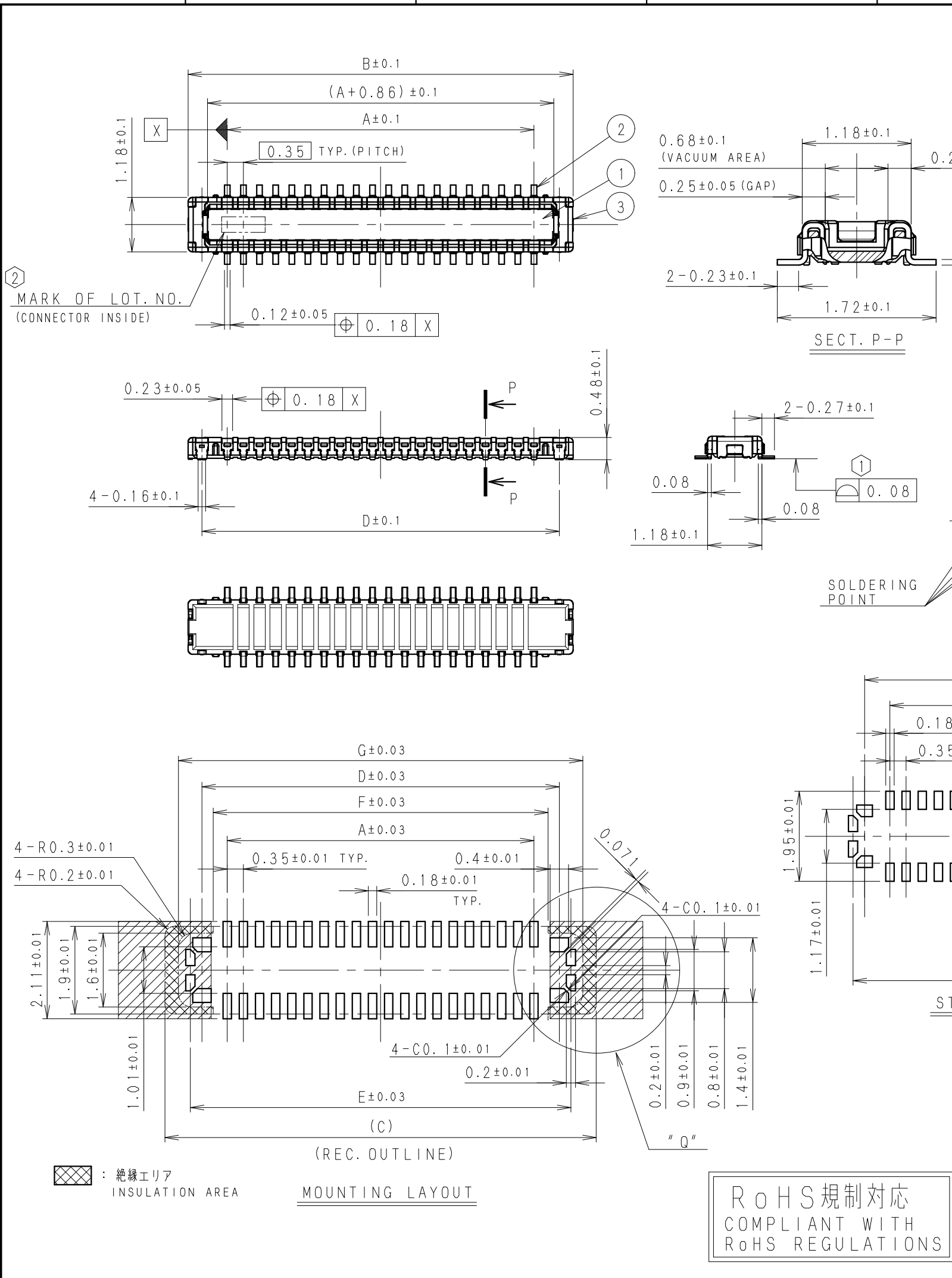
※この表は1ページ目のみ適用  
 ※THIS CHART IS APPLICABLE TO SHEET-1 ONLY.

注記  
NOTE

- ① テール及び金具底面の相互の輪郭度は、0.08MAX.  
COPLANARITY OF CONTACT TAIL AND ANCHOR PLATE IS 0.08MAX.
  - ② 図示の位置にLOT NO. を刻印する。(レーザー)  
LOT NO. SHALL BE MARKED AT THE SPECIFIED POSITION. (LASER)
- $n$  S (6P)      K  $n$  S (10P~18P)  
 工場コード      工場コード  
 製造週              製造週  
 「K」表示(固定)
- K 3 0 1 S (24P~)  
 工場コード  
 製造日 1, 2, ~29, 30, 31.  
 製造月 1, 2, ~9, X, Y, Z.  
 「K」表示(固定)

3. STENCIL LAYOUTは左図を推奨とする。  
 尚、MOUNTING LAYOUTに対し  
 開口率は70%としている。

※この注記は1ページ目のみ適用  
 ※THIS NOTES IS APPLICABLE TO SHEET-1 ONLY.

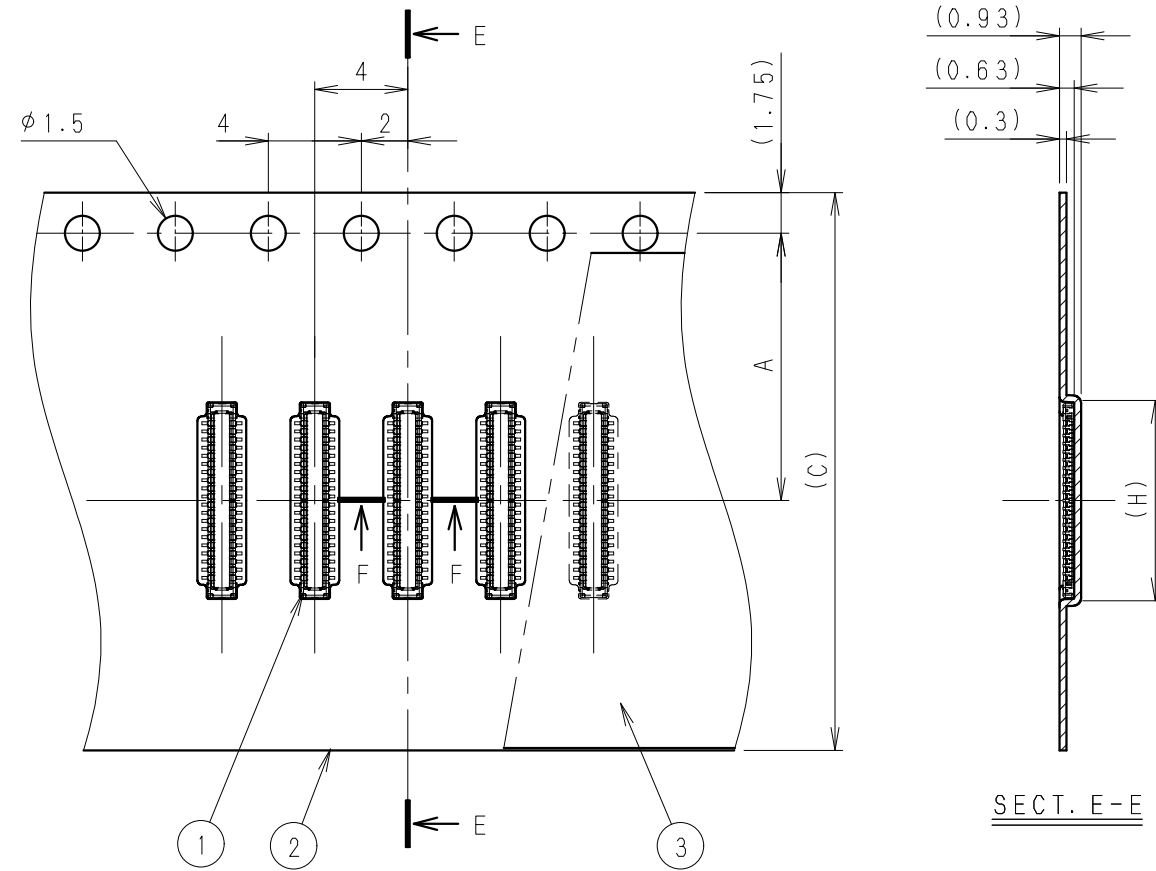


RoHS規制対応  
 COMPLIANT WITH  
 RoHS REGULATIONS

| TOLERANCE / 一般公差 (S) |               | PRODUCT SPEC / 製品規格 |            |  |         |            |         |          |          |
|----------------------|---------------|---------------------|------------|--|---------|------------|---------|----------|----------|
| X < 10               | $\pm 0.2$     | UNIT                | ANGLE      | O  | EDN-030 | 2020/07/29 | YK. LIN | RS. CHEN | T. SATO  |
| $10 \leq X < 30$     | $\pm 0.25$    | mm                  | 3RD        | NO.  | EDN/DCN | DATE       | ISSUE   | CHECKED  | APPROVED |
| $30 \leq X$          | $\pm 0.3$     | SCALE               | DATE       | PART NAME / 品名   |         |            |         |          |          |
| ANGLE / 角度           | $\pm 3^\circ$ | NTS                 | 2020/07/29 | SERIES 5861 PLUG ASSY<br>0.35mm PITCH BOARD TO BOARD H=0.6 |         |            |         |          |          |
| DRAWN                | DESIGNED      | CHECKED             | APPROVED   | PART NO. / 型番  |         |            |         |          |          |
| YK. LIN              | K. HIRATA     | RS. CHEN            | T. SATO    | 14 5861 XXX 024 829 + W                                    |         |            |         |          |          |
| DWG NO. / 図番         |               |                     |            | SHEET/REV  |         |            |         |          |          |
| BCS 5861001          |               |                     |            | 1/2 0  |         |            |         |          |          |

© 2020 KYOCERA Corporation

| NO. | DESCRIPTION    | PART NO.                | QTY   | MATERIAL    | DRW NO. | REMARKS                 |
|-----|----------------|-------------------------|-------|-------------|---------|-------------------------|
| 1   | CONNECTOR      | 14 5861 XXX 024 829 + W | 15000 |             |         | 10 5861 XXX 024 829 + W |
| 2   | EMBOSSED TAPE  |                         | 1     | POLYSTYRENE |         |                         |
| 3   | TOP COVER TAPE |                         | 1     | PET         |         |                         |
| 4   | REEL           |                         | 1     | POLYSTYRENE |         |                         |



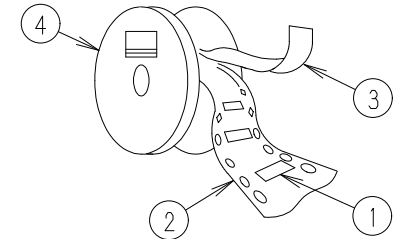
| 極数<br>NO. OF<br>POS. | A    | B | C    | D    | H     |
|----------------------|------|---|------|------|-------|
| 6                    | 5.5  | - | 12.0 | 18.4 | 2.50  |
| 10                   | 5.5  | - | 12.0 | 18.4 | 3.20  |
| 12                   | 5.5  | - | 12.0 | 18.4 | 3.55  |
| 16                   | 7.5  | - | 16.0 | 22.4 | 4.25  |
| 18                   | 7.5  | - | 16.0 | 22.4 | 4.60  |
| 24                   | 7.5  | - | 16.0 | 22.4 | 5.65  |
| 30                   | 7.5  | - | 16.0 | 22.4 | 6.70  |
| 34                   | 7.5  | - | 16.0 | 22.4 | 7.40  |
| 40                   | 11.5 | - | 24.0 | 30.4 | 8.45  |
| 42                   | 11.5 | - | 24.0 | 30.4 | 8.80  |
| 44                   | 11.5 | - | 24.0 | 30.4 | 9.15  |
| 46                   | 11.5 | - | 24.0 | 30.4 | 9.50  |
| 48                   | 11.5 | - | 24.0 | 30.4 | 9.85  |
| 50                   | 11.5 | - | 24.0 | 30.4 | 10.20 |
| 54                   | 11.5 | - | 24.0 | 30.4 | 10.90 |
| 60                   | 11.5 | - | 24.0 | 30.4 | 11.95 |

※この表は2ページ目のみ適用  
 ※THIS CHART IS APPLICABLE TO SHEET-2 ONLY.

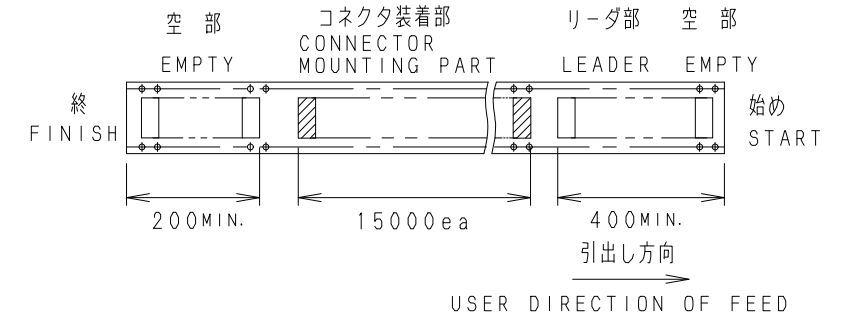
注記  
NOTE

1. 梱包数量 : 15000 個/リール  
 PACKING QUANTITY : 15000 ea/reel

2. 納入時のリール巻き方向  
 REELING DIRECTION IN DELIVERY

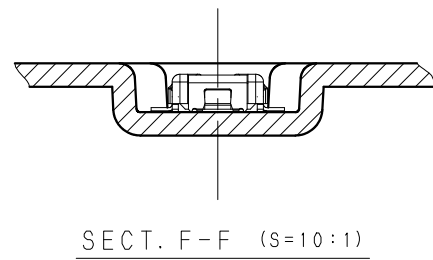
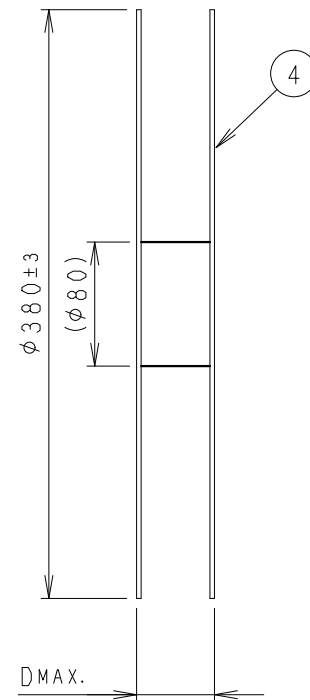
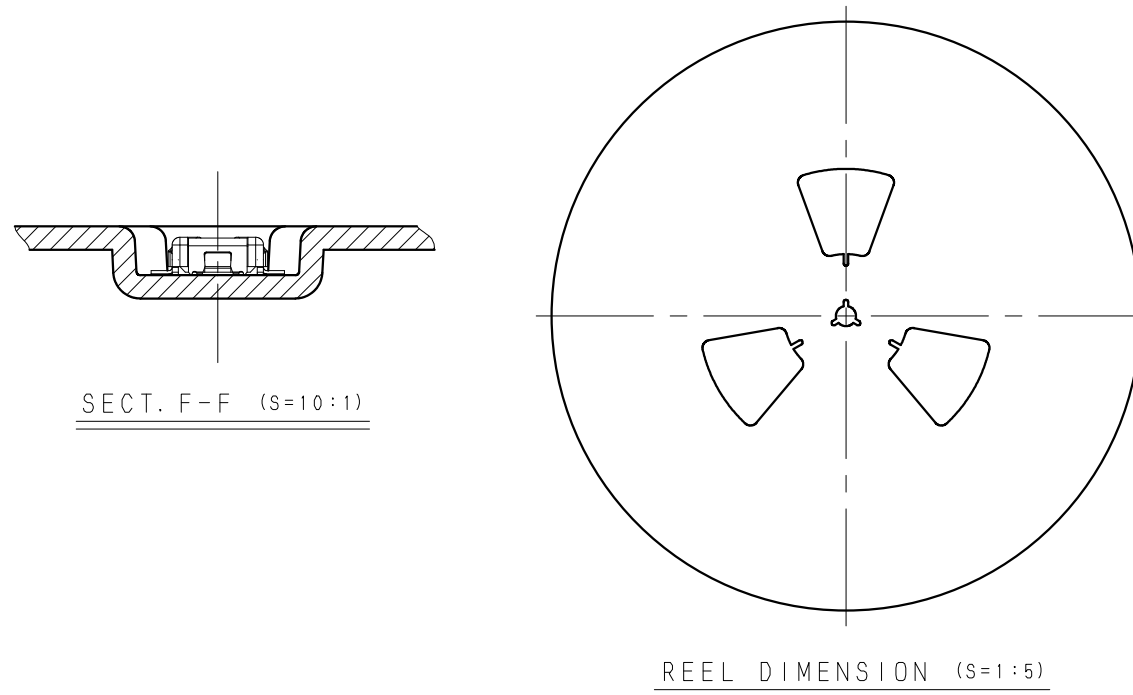


3. 引出し方向  
 USER DIRECTION OF FEED



4. 型番 P/N 14 5861 XXX 024 829 + W  
 極数 NO. OF POS.

※この注記の1~3は2ページ目のみ適用  
 ※THIS NOTES 1 TO 3 ARE APPLICABLE TO SHEET-2 ONLY.



RoHS規制対応  
 COMPLIANT WITH  
 RoHS REGULATIONS

| TOLERANCE / 一般公差 (S) |           | PRODUCT SPEC / 製品規格 |            | REFER TO SHEET 1/2                       |          |
|----------------------|-----------|---------------------|------------|--|----------|
| X < 10               | ±0.2      | UNIT                | ANGLE      | NO.                                      | EDN/DCN  |
| 10 ≤ X < 30          | ±0.25     | mm                  | 3RD        | DATE                                     | ISSUE    |
| 30 ≤ X               | ±0.3      | SCALE               | DATE       | CHECKED                                  | APPROVED |
| ANGLE / 角度           | ±3°       | 3 : 1               | 2020/07/29 | PART NAME / 品名                           |          |
| DRAWN                | DESIGNED  | CHECKED             | APPROVED   | SERIES 5861 PLUG EMBOSS TAPE ASSY SMT    |          |
| YK. LIN              | K. HIRATA | RS. CHEN            | T. SATO    | 0.35mm PITCH BOARD TO BOARD H=0.6 W=1.95 |          |
| DRAWN                |           |                     |            | PART NO. / 型番                            |          |
| YK. LIN              |           |                     |            | 14 5861 XXX 024 829 + W                  |          |
| DESIGNED             |           |                     |            | DWG NO. / 図番                             |          |
| K. HIRATA            |           |                     |            | BCS 5861001                              |          |
| CHECKED              |           |                     |            | SHEET/REV                                |          |
| RS. CHEN             |           |                     |            | 2/2 0                                    |          |
| APPROVED             |           |                     |            |  |          |
| T. SATO              |           |                     |            |  |          |

| NO. | DESCRIPTION  | PART NO. | QTY | MATERIAL               | DRW NO. | REMARKS                |
|-----|--------------|----------|-----|------------------------|---------|------------------------|
| 1   | INSULATOR    |          | 1   | HEAT RESISTING PLASTIC |         | COLOR:BLACK<br>UL94V-0 |
| 2   | CONTACT      |          | N   | COPPER-ALLOY           |         | Au, Be-Free            |
| 3   | ANCHOR PLATE |          | 2   | COPPER-ALLOY           |         | Au, Be-Free            |

| 極数<br>NO. OF<br>POS. | A     | B     | C     | D     | E | F     |
|----------------------|-------|-------|-------|-------|---|-------|
| 6                    | 0.70  | 2.42  | 3.40  | 2.10  |   | 3.32  |
| 10                   | 1.40  | 3.12  | 4.10  | 2.80  |   | 4.02  |
| 12                   | 1.75  | 3.47  | 4.45  | 3.15  |   | 4.37  |
| 16                   | 2.45  | 4.17  | 5.15  | 3.85  |   | 5.07  |
| 18                   | 2.80  | 4.52  | 5.50  | 4.20  |   | 5.42  |
| 24                   | 3.85  | 5.57  | 6.55  | 5.25  |   | 6.47  |
| 30                   | 4.90  | 6.62  | 7.60  | 6.30  |   | 7.52  |
| 34                   | 5.60  | 7.32  | 8.30  | 7.00  |   | 8.22  |
| 40                   | 6.65  | 8.37  | 9.35  | 8.05  |   | 9.27  |
| 42                   | 7.00  | 8.72  | 9.70  | 8.40  |   | 9.62  |
| 44                   | 7.35  | 9.07  | 10.05 | 8.75  |   | 9.97  |
| 46                   | 7.70  | 9.42  | 10.40 | 9.10  |   | 10.32 |
| 48                   | 8.05  | 9.77  | 10.75 | 9.45  |   | 10.67 |
| 50                   | 8.40  | 10.12 | 11.10 | 9.80  |   | 11.02 |
| 54                   | 9.10  | 10.82 | 11.80 | 10.50 |   | 11.72 |
| 60                   | 10.15 | 11.87 | 12.85 | 11.55 |   | 12.77 |

※この表は1ページ目のみ適用  
 ※THIS CHART IS APPLICABLE TO SHEET-1 ONLY.

注記  
 NOTE

① テール及び金具底面の相互の輪郭度は、0.08MAX.  
 COPLANARITY OF CONTACT TAIL  
 AND ANCHOR PLATE IS 0.08MAX.

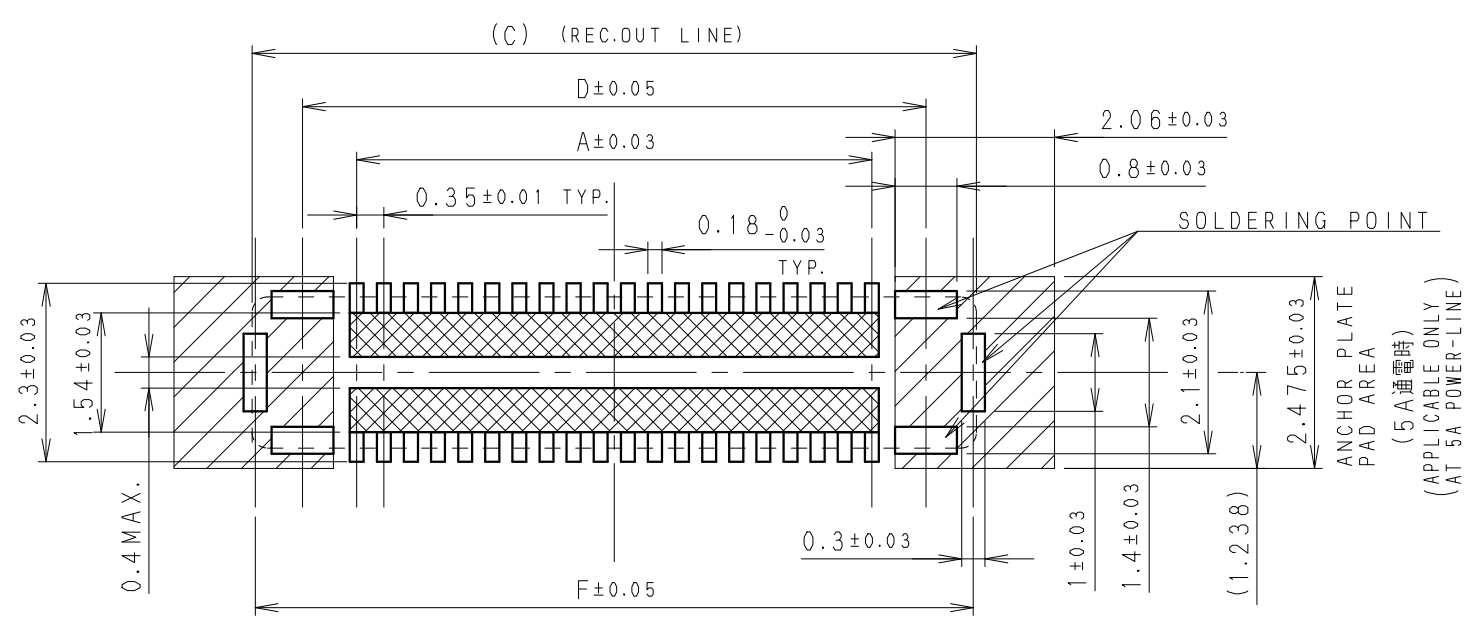
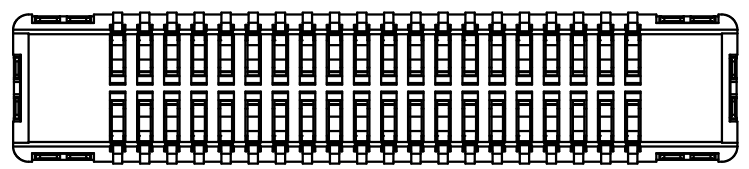
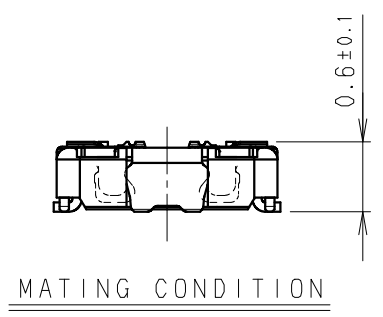
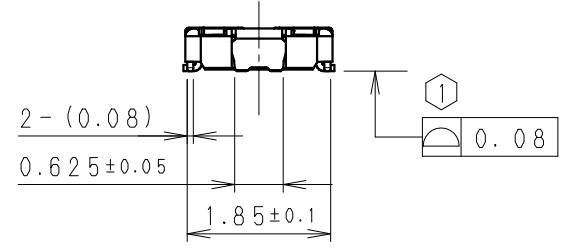
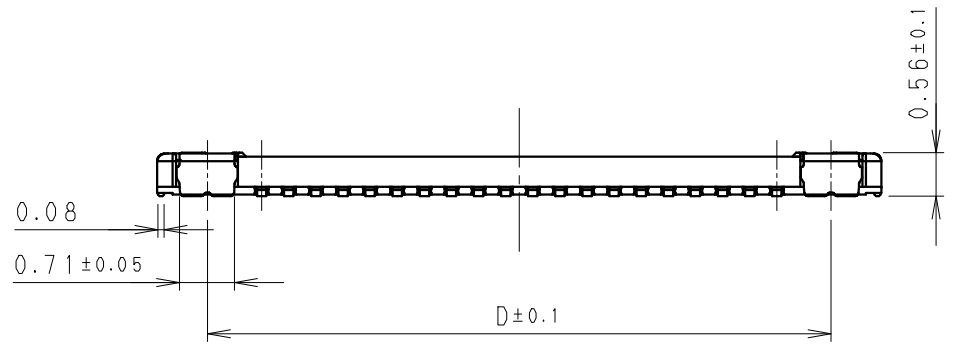
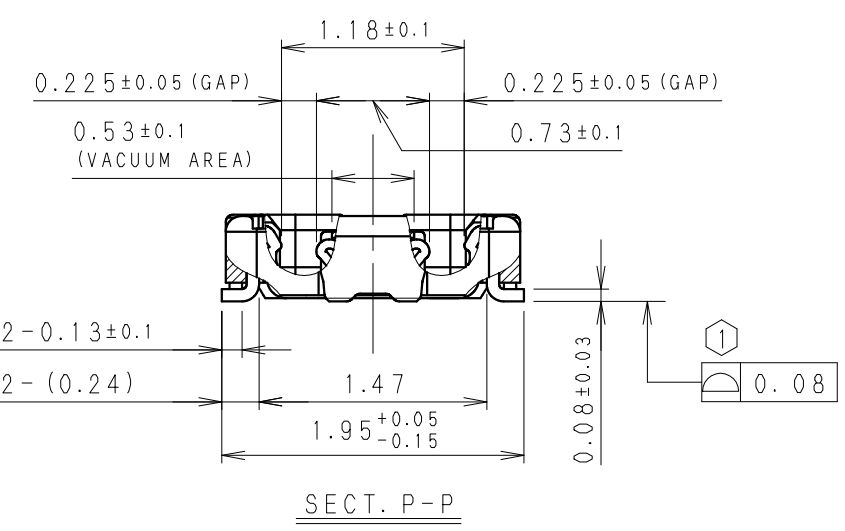
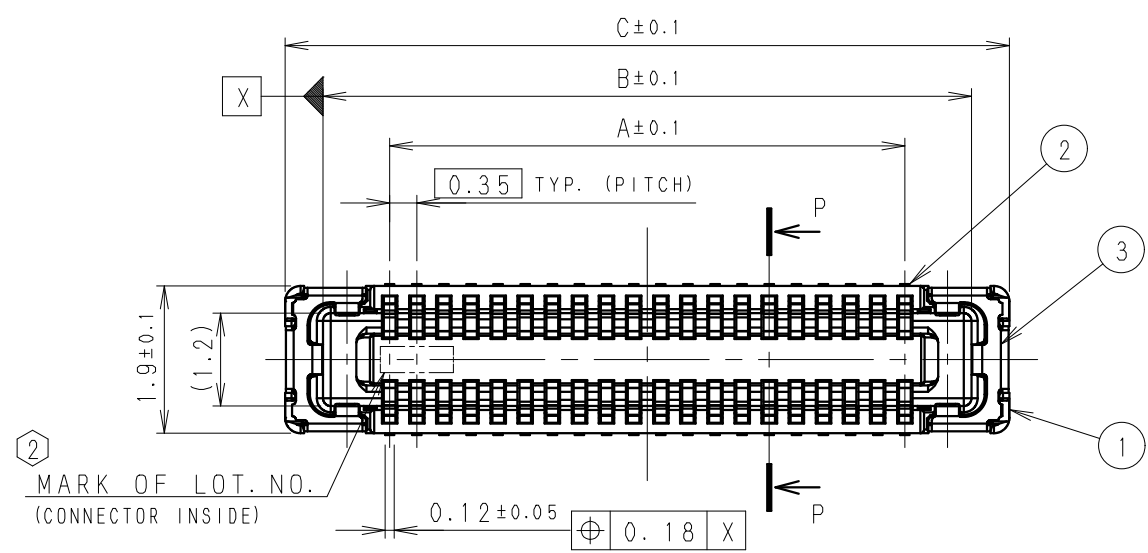
② 図示の位置にLOT NO. を刻印する。(レーザー)  
 LOT NO. SHALL BE MARKED  
 AT THE SPECIFIED POSITION. (LASER)

n S (6P) K n S (10P~18P)  
 工場コード 工場コード  
 製造週 製造週  
 「K」表示(固定)

K 3 01 S (24P~)  
 工場コード  
 製造日 1、2、~29、30、31.  
 製造月 1、2、~9、X、Y、Z.  
 「K」表示(固定)

※この注記は1ページ目のみ適用  
 ※THIS NOTES IS APPLICABLE TO SHEET-1 ONLY.

RoHS規制対応  
 COMPLIANT WITH  
 RoHS REGULATIONS



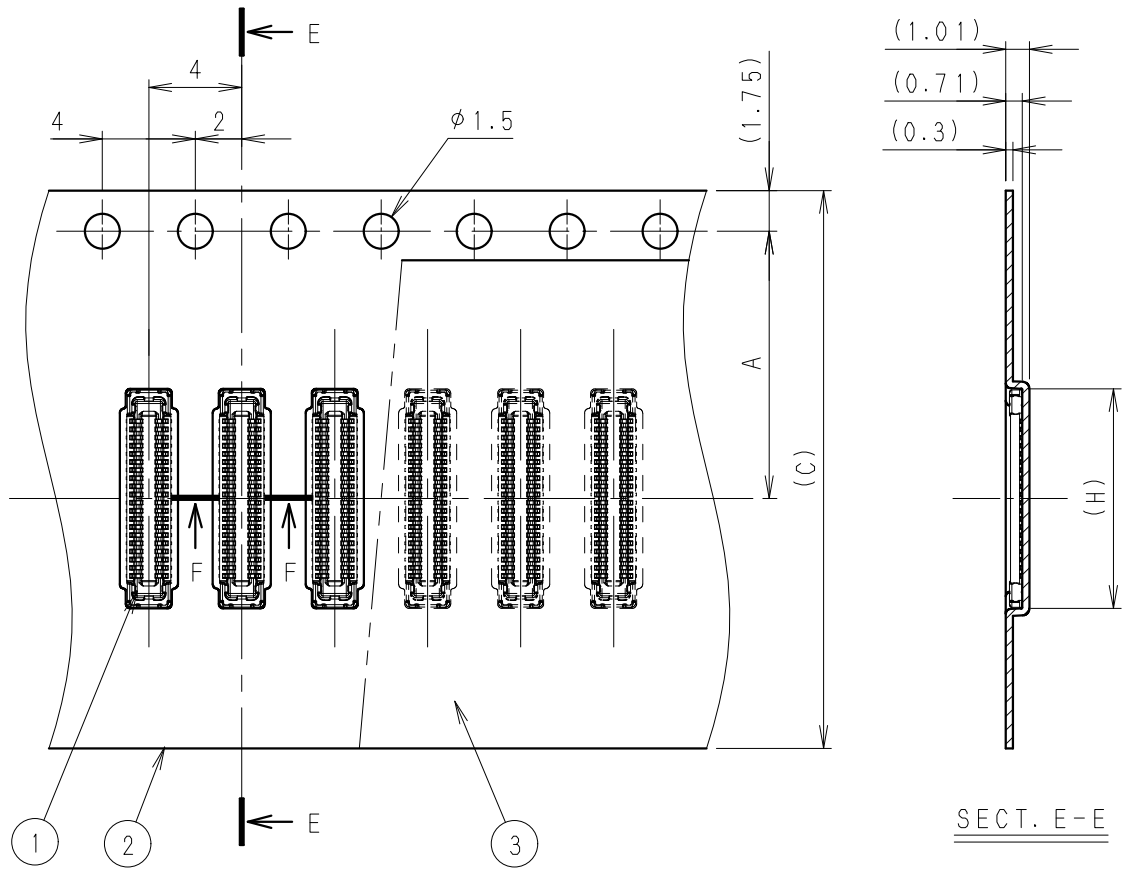
MOUNTING LAYOUT

☒ : 絶縁エリア  
 INSULATION AREA

| TOLERANCE / 一般公差 (S) |           | PRODUCT SPEC / 製品規格 |            |   |         |            |         |          |          |
|----------------------|-----------|---------------------|------------|---|---------|------------|---------|----------|----------|
| X < 10               | ±0.2      | UNIT                | ANGLE      | 0   | EDN-030 | 2020/07/29 | YK. LIN | RS. CHEN | T. SATO  |
| 10 ≤ X < 30          | ±0.25     | mm                  | 3RD        | NO.   | EDN/DCN | DATE       | ISSUE   | CHECKED  | APPROVED |
| 30 ≤ X               | ±0.3      | SCALE               | DATE       | PART NAME / 品名  |         |            |         |          |          |
| ANGLE / 角度           | ±3°       | N1S                 | 2020/07/29 | SERIES 5861 REC ASSY<br>0.35mm PITCH BOARD TO BOARD H=0.6 |         |            |         |          |          |
| DRAWN                | DESIGNED  | CHECKED             | APPROVED   | PART NO. / 型番   |         |            |         |          |          |
| YK. LIN              | K. HIRATA | RS. CHEN            | T. SATO    | 24 5861 XXX 004 829 + W                                   |         |            |         |          |          |
| DWG NO. / 図番         |           |                     |            | SHEET   |         |            | REV     |          |          |
| BCS 5861002          |           |                     |            | 1 / 2   |         |            | 0       |          |          |



| NO. | DESCRIPTION    | PART NO.                | QTY   | MATERIAL    | DRW NO. | REMARKS                 |
|-----|----------------|-------------------------|-------|-------------|---------|-------------------------|
| 1   | CONNECTOR      | 24 5861 XXX 004 829 + W | 15000 |             |         | 20 5861 XXX 004 829 + W |
| 2   | EMBOSSED TAPE  |                         | 1     | POLYSTYRENE |         |                         |
| 3   | TOP COVER TAPE |                         | 1     | PET         |         |                         |
| 4   | REEL           |                         | 1     | POLYSTYRENE |         |                         |



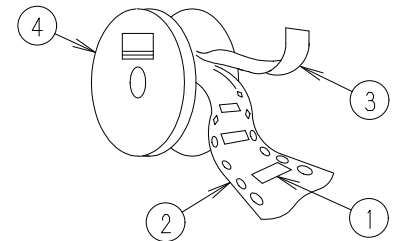
| 極数<br>NO. OF<br>POS. | A    | B | C    | D    | H     |
|----------------------|------|---|------|------|-------|
| 6                    | 5.5  | - | 12.0 | 18.4 | 3.50  |
| 10                   | 5.5  | - | 12.0 | 18.4 | 4.20  |
| 12                   | 5.5  | - | 12.0 | 18.4 | 4.55  |
| 16                   | 7.5  | - | 16.0 | 22.4 | 5.25  |
| 18                   | 7.5  | - | 16.0 | 22.4 | 5.60  |
| 24                   | 7.5  | - | 16.0 | 22.4 | 6.65  |
| 30                   | 7.5  | - | 16.0 | 22.4 | 7.70  |
| 34                   | 7.5  | - | 16.0 | 22.4 | 8.40  |
| 40                   | 11.5 | - | 24.0 | 30.4 | 9.45  |
| 42                   | 11.5 | - | 24.0 | 30.4 | 9.80  |
| 44                   | 11.5 | - | 24.0 | 30.4 | 10.15 |
| 46                   | 11.5 | - | 24.0 | 30.4 | 10.50 |
| 48                   | 11.5 | - | 24.0 | 30.4 | 10.85 |
| 50                   | 11.5 | - | 24.0 | 30.4 | 11.20 |
| 54                   | 11.5 | - | 24.0 | 30.4 | 11.90 |
| 60                   | 11.5 | - | 24.0 | 30.4 | 12.95 |

※この表は2ページ目にも適用  
 ※THIS CHART IS APPLICABLE TO SHEET-2 ONLY.

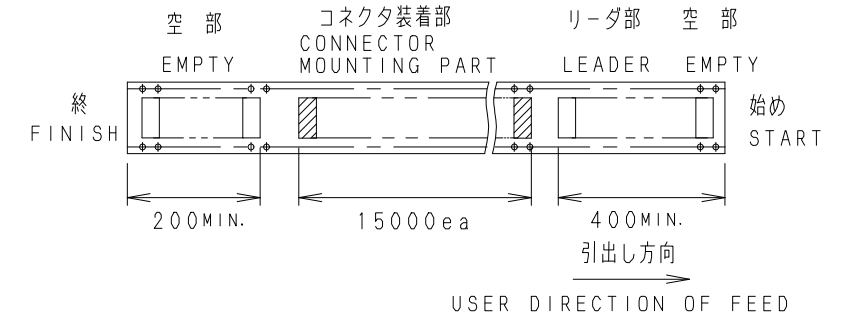
注記  
NOTE

1. 梱包数量 : 15000 個/リール  
 PACKING QUANTITY : 15000 ea/reel

2. 納入時のリール巻き方向  
 REELING DIRECTION IN DELIVERY

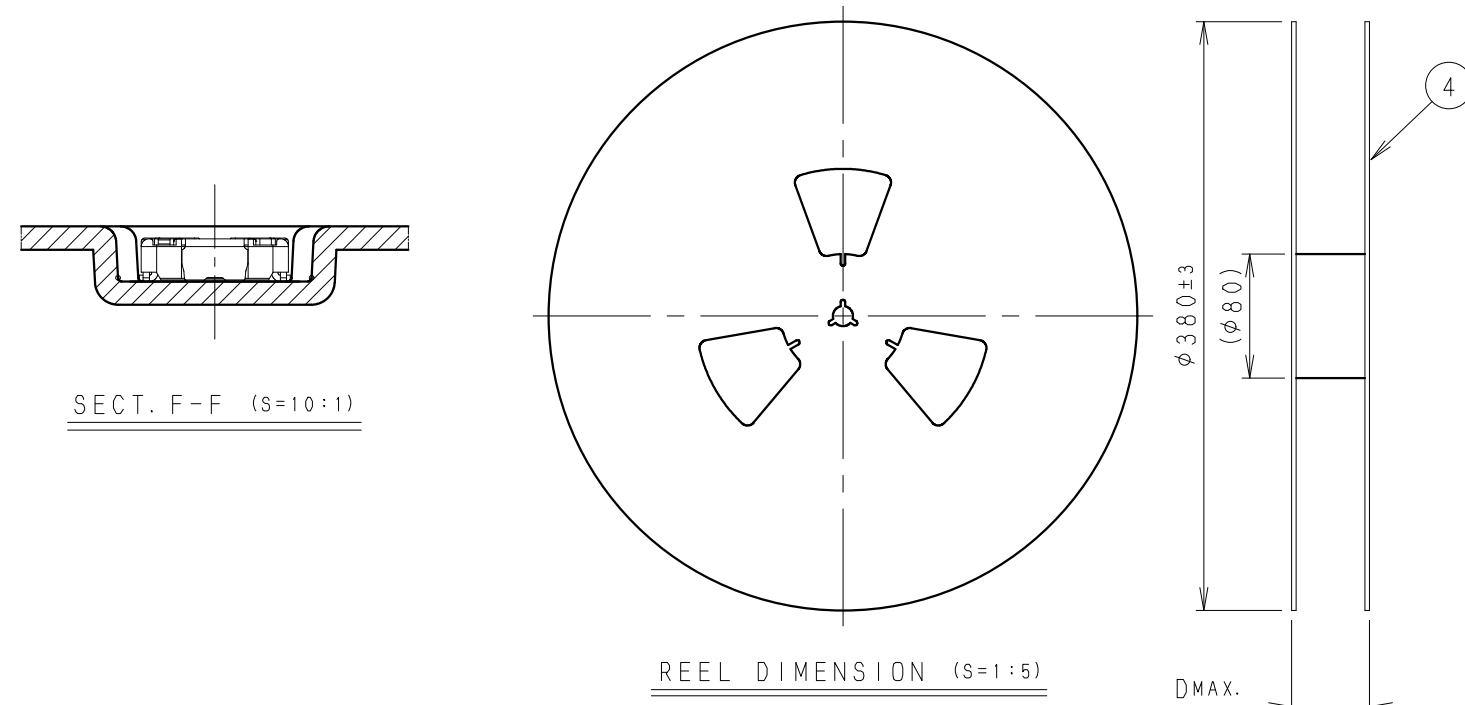


3. 引出し方向  
 USER DIRECTION OF FEED



4. 型番 P/N 24 5861 XXX 004 829 + W  
 極数 NO. OF POS.

※この注記の1~3は2ページ目にも適用  
 ※THIS NOTES 1 TO 3 ARE APPLICABLE TO SHEET-2 ONLY.



RoHS規制対応  
 COMPLIANT WITH  
 RoHS REGULATIONS

| TOLERANCE / 一般公差 (S) |           | PRODUCT SPEC / 製品規格 |            | REFER TO SHEET 1/2                       |          |                |       |
|----------------------|-----------|---------------------|------------|--|----------|----------------|-------|
| X < 10               | ±0.2      | UNIT                | ANGLE      | NO.                                      | EDN/DCN  | DATE           | ISSUE |
| 10 ≤ X < 30          | ±0.25     | mm                  | 3RD        | CHECKED                                  | APPROVED | PART NAME / 品名 |       |
| 30 ≤ X               | ±0.3      | SCALE               | DATE       | SERIES 5861 REC EMBOSS TAPE ASSY SMT     |          |                |       |
| ANGLE / 角度           | ±3°       | 3 : 1               | 2020/07/29 | 0.35mm PITCH BOARD TO BOARD H=0.6 W=1.95 |          |                |       |
| DRAWN                | DESIGNED  | CHECKED             | APPROVED   | PART NO. / 型番                            |          |                |       |
| YK. LIN              | K. HIRATA | RS. CHEN            | T. SATO    | 24 5861 XXX 004 829 + W                  |          |                |       |
| DWG NO. / 図番         |           |                     |            | SHEET/REV                                |          |                |       |
| BCS 5861002          |           |                     |            | 2/2 0                                    |          |                |       |

## X-ON Electronics

Largest Supplier of Electrical and Electronic Components

*Click to view similar products for [Board to Board & Mezzanine Connectors](#) category:*

*Click to view products by [Kyocera AVX](#) manufacturer:*

Other Similar products are found below :

[589158040000018](#) [MDF7C-18P-2.54DSA\(55\)](#) [FCN-268F036-G/BD](#) [FCN-268M012-G/0D](#) [FCN-268M024-G/1D](#) [MIS-048-01-F-D-DP-K](#)  
[832-10-034-10-001000](#) [FX4C-80S-1.27DSA](#) [93696-330](#) [224393](#) [FCN-235D050-G/C](#) [210-93-314-41-105000](#) [MDF7-40DP-2.54DSA\(55\)](#)  
[55323-1519](#) [069159702701000](#) [101A10019X](#) [105061100000861+](#) [75140-7012](#) [87471-650](#) [1744382-4](#) [063209](#) [10124054-515LF](#) [68685-603](#)  
[8-1616154-3](#) [541371078](#) [IL-WX-10PB-HF-B-E1000E](#) [FX23-40P-0.5SV15B](#) [FCN-214J100-G/0](#) [354184](#) [P50-028-DDS-TG](#) [53309-2471](#)  
[54546-2071](#) [1586617-1](#) [504248-1210](#) [504248-2010](#) [1-1437355-2](#) [9159005551906](#) [NDS100-004-BF](#) [93696-730LF](#) [91922-31141LF](#) [505274-](#)  
[3440](#) [501493-2410](#) [504208-3410](#) [505006-0811](#) [505274-2040](#) [202436-1600](#) [202477-0414](#) [71660-7580](#) [73420-5192](#) [360-10-107-00-001000](#)