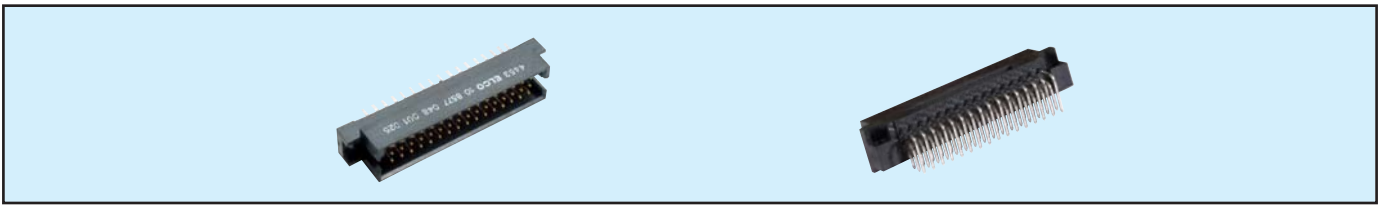


# Male Style 1/2 C High Temperature



## Series 8557 – 3 rows (3 x 16)

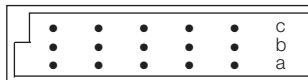


| Contact Design and Termination Length | Number of Contacts | Loading Description    | Part Number Performance classes according to DIN 41612 |                     |
|---------------------------------------|--------------------|------------------------|--|---------------------|
|                                       |                    |                        | II   | I                   |
| 3.4 mm (Y)<br>Straight                | 48                 | a + b + c fully loaded | 10 8557 048 001 025                                    | 10 8557 048 001 049 |
|                                       | 32                 | a + c fully loaded     | 10 8557 048 001 026                                    | 10 8557 048 001 050 |
|                                       | 16                 | a loading only         | 10 8557 048 001 027                                    | 10 8557 048 001 051 |
| 3.0 mm (Y)<br>Right Angled            | 48                 | a + b + c fully loaded | 10 8557 048 002 025                                    | 10 8557 048 002 049 |
|                                       | 32                 | a + c fully loaded     | 10 8557 048 002 026                                    | 10 8557 048 002 050 |
|                                       | 16                 | a loading only         | 10 8557 048 002 027                                    | 10 8557 048 002 051 |
|                                       | 46 + 2             | fully loaded + ground  | 10 8557 048 102 025                                    | 10 8557 048 102 049 |
| 2.3 mm (Y)<br>Right Angled            | 48                 | a + b + c fully loaded | 10 8557 048 008 025                                    | 10 8557 048 008 049 |
|                                       | 32                 | a + c fully loaded     | 10 8557 048 008 026                                    | 10 8557 048 008 050 |
|                                       | 16                 | a loading only         | 10 8557 048 008 027                                    | 10 8557 048 008 051 |

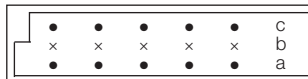
NB: Alternative Prefix Variations Available: 16, please refer to Page 10.

Additional Plating & Loading Variations: Please contact your local AVX sales office or distributor.

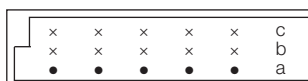
### LOADING DESCRIPTION



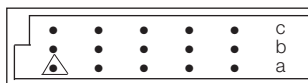
48 contacts, rows a + b + c fully loaded



32 contacts, rows a + c fully loaded



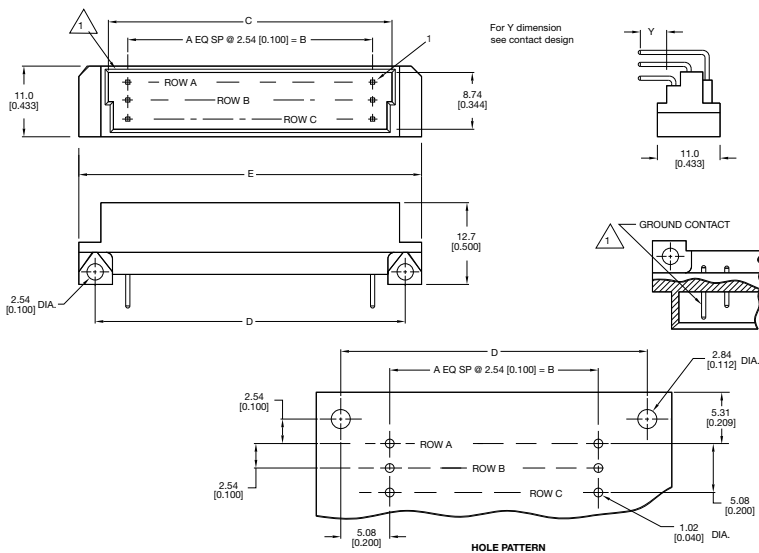
16 contacts, row a loading only



46 + 2 contacts, fully loaded with ground in A1 & A16

△ denotes ground pin

### DIMENSIONS



Unit: millimeters (inches)

| No. Contact Positions | Contact Rows | A  | B                | C                | D                | E                |
|-----------------------|--------------|----|------------------|------------------|------------------|------------------|
| 48                    | 3 (3 x 16)   | 15 | 38.10<br>(1.500) | 44.70<br>(1.760) | 48.26<br>(1.900) | 53.90<br>(2.122) |

# Female Style 1/2 C High Temperature

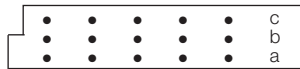
## Series 8557 – 3 rows (3 x 16)



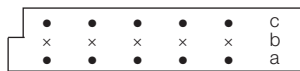
| Contact Design and Termination Length            | Number of Contacts | Loading Description    | Part Number Performance classes according to DIN 41612 |                     |
|--|--------------------|------------------------|--|---------------------|
|  |                    |                        | II   | I                   |
| 0.6 x 0.6 mm Post Profile<br>4.5 mm (Y) Straight | 48                 | a + b + c fully loaded | 20 8557 048 001 025                                    | 20 8557 048 001 049 |
|  | 32                 | a + c fully loaded     | 20 8557 048 001 026                                    | 20 8557 048 001 050 |
|  | 16                 | a loading only         | 20 8557 048 001 027                                    | 20 8557 048 001 051 |
| 0.6 x 0.6 mm Post Profile<br>2.9 mm (Y) Straight | 48                 | a + b + c fully loaded | 20 8557 048 002 025                                    | 20 8557 048 002 049 |
|  | 32                 | a + c fully loaded     | 20 8557 048 002 026                                    | 20 8557 048 002 050 |
|  | 16                 | a loading only         | 20 8557 048 002 027                                    | 20 8557 048 002 051 |

NB: Alternative Prefix Variations Available: 26, please refer to Page 10.  
Additional Plating & Loading Variations: Please contact your local AVX sales office or distributor.

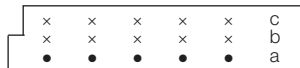
### LOADING DESCRIPTION



48 contacts, rows a + b + c fully loaded

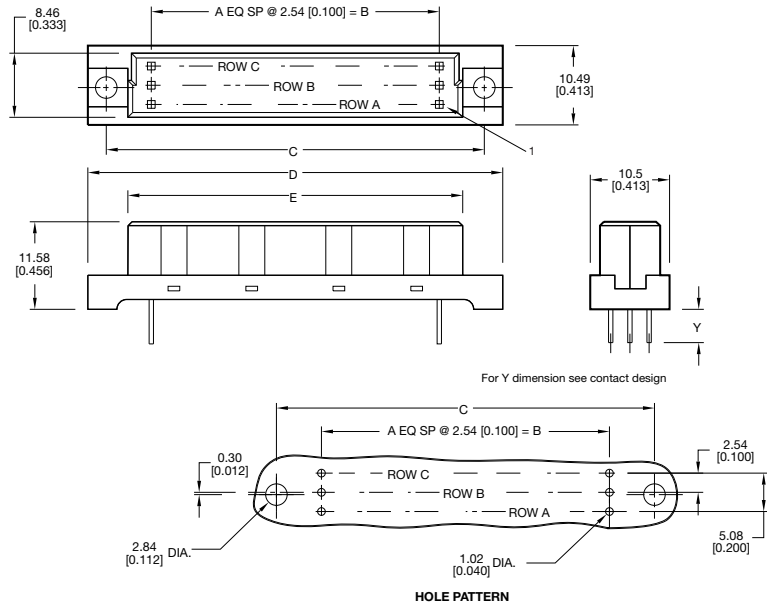


32 contacts, rows a + c fully loaded



16 contacts, row a loading only

### DIMENSIONS



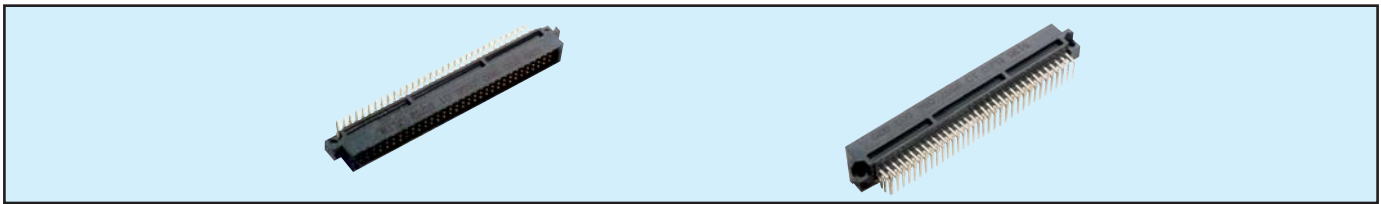
Unit: millimeters (inches)

| No. Contact Positions | Contact Rows | A  | B                | C                | D                | E                |
|-----------------------|--------------|----|------------------|------------------|------------------|------------------|
| 48                    | 3 (3 x 16)   | 15 | 38.10<br>(1.500) | 50.00<br>(1.969) | 54.89<br>(2.161) | 44.30<br>(1.744) |

# Male Style C High Temperature



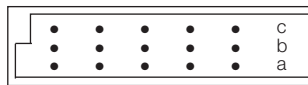
## Series 8557 – 3 rows (3 x 32)



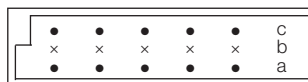
| Contact Design and Termination Length | Number of Contacts | Loading Description    | Part Number Performance classes according to DIN 41612 |                     |
|---------------------------------------|--------------------|------------------------|--|---------------------|
|                                       |                    |                        | II   | I                   |
| 3.4 mm (Y)<br>Straight                | 96                 | a + b + c fully loaded | 10 8557 096 001 025                                    | 10 8557 096 001 049 |
|                                       | 64                 | a + c fully loaded     | 10 8557 096 001 026                                    | 10 8557 096 001 050 |
|                                       | 32                 | a + c even loading     | 10 8557 096 001 033                                    | 10 8557 096 001 057 |
|                                       | 32                 | a loading only         | 10 8557 096 001 027                                    | 10 8557 096 001 051 |
| 3.0 mm (Y)<br>Right Angled            | 96                 | a + b + c fully loaded | 10 8557 096 002 025                                    | 10 8557 096 002 049 |
|                                       | 64                 | a + c fully loaded     | 10 8557 096 002 026                                    | 10 8557 096 002 050 |
|                                       | 32                 | a + c even loading     | 10 8557 096 002 033                                    | 10 8557 096 002 057 |
|                                       | 32                 | a loading only         | 10 8557 096 002 027                                    | 10 8557 096 002 051 |
| 2.3 mm (Y)<br>Right Angled            | 96                 | a + b + c fully loaded | 10 8557 096 008 025                                    | 10 8557 096 008 049 |
|                                       | 64                 | a + c fully loaded     | 10 8557 096 008 026                                    | 10 8557 096 008 050 |
|                                       | 32                 | a + c even loading     | 10 8557 096 008 033                                    | 10 8557 096 008 057 |
|                                       | 32                 | a loading only         | 10 8557 096 008 027                                    | 10 8557 096 008 051 |

NB: Alternative Prefix Variations Available: 16, please refer to Page 10.  
Additional Plating & Loading Variations: Please contact your local AVX sales office or distributor.

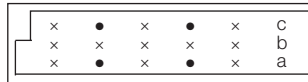
### LOADING DESCRIPTION



96 contacts, rows a + b + c fully loaded



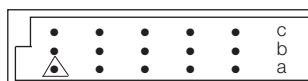
64 contacts, rows a + c fully loaded



32 contacts, rows a + c even loading



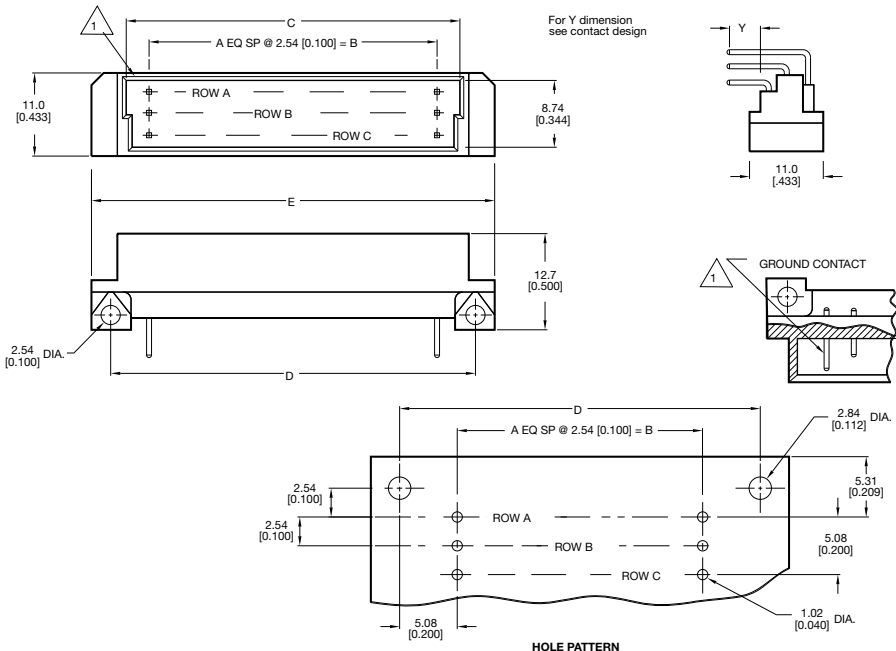
32 contacts, row a loading only



94 + 2 contacts, fully loaded with ground in A1 & A32

△ denotes ground pin

### DIMENSIONS



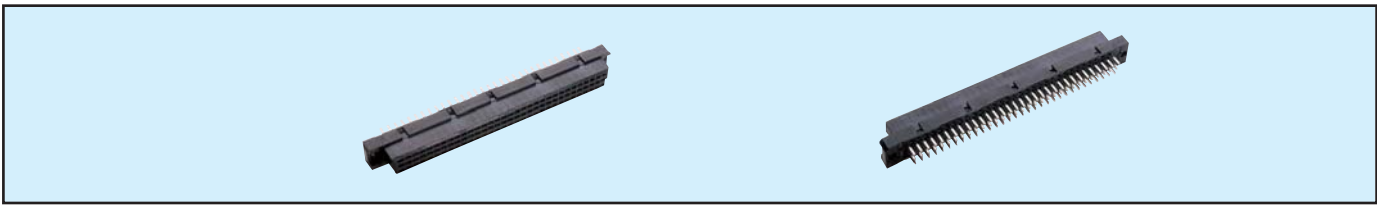
Unit: millimeters (inches)

| No. Contact Positions | Contact Rows | A  | B                | C                | D                | E                |
|-----------------------|--------------|----|------------------|------------------|------------------|------------------|
| 96                    | 3 (3 x 32)   | 31 | 78.74<br>(3.100) | 85.29<br>(3.358) | 88.90<br>(3.500) | 93.90<br>(3.697) |

# Female Style C High Temperature



## Series 8557 – 3 rows (3 x 32)



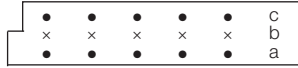
| Contact Design and Termination Length            | Number of Contacts | Loading Description    | Part Number Performance classes according to DIN 41612 |                     |
|--|--------------------|------------------------|--|---------------------|
|  |                    |                        | II   | I                   |
| 0.6 x 0.6 mm Post Profile<br>4.5 mm (Y) Straight | 96                 | a + b + c fully loaded | 20 8557 096 001 025                                    | 20 8557 096 001 049 |
|  | 64                 | a + c fully loaded     | 20 8557 096 001 026                                    | 20 8557 096 001 050 |
|  | 32                 | a + c even loading     | 20 8557 096 001 033                                    | 20 8557 096 001 057 |
|  | 32                 | a loading only         | 20 8557 096 001 027                                    | 20 8557 096 001 051 |
| 0.6 x 0.6 mm Post Profile<br>2.9 mm (Y) Straight | 96                 | a + b + c fully loaded | 20 8557 096 002 025                                    | 20 8557 096 002 049 |
|  | 64                 | a + c fully loaded     | 20 8557 096 002 026                                    | 20 8557 096 002 050 |
|  | 32                 | a + c even loading     | 20 8557 096 002 033                                    | 20 8557 096 002 057 |
|  | 32                 | a loading only         | 20 8557 096 002 027                                    | 20 8557 096 002 051 |

NB: Alternative Prefix Variations Available: 26, please refer to Page 10.  
 Additional Plating & Loading Variations: Please contact your local AVX sales office or distributor.

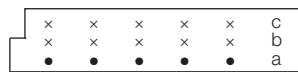
### LOADING DESCRIPTION



96 contacts, rows a + b + c fully loaded



64 contacts, rows a + c fully loaded

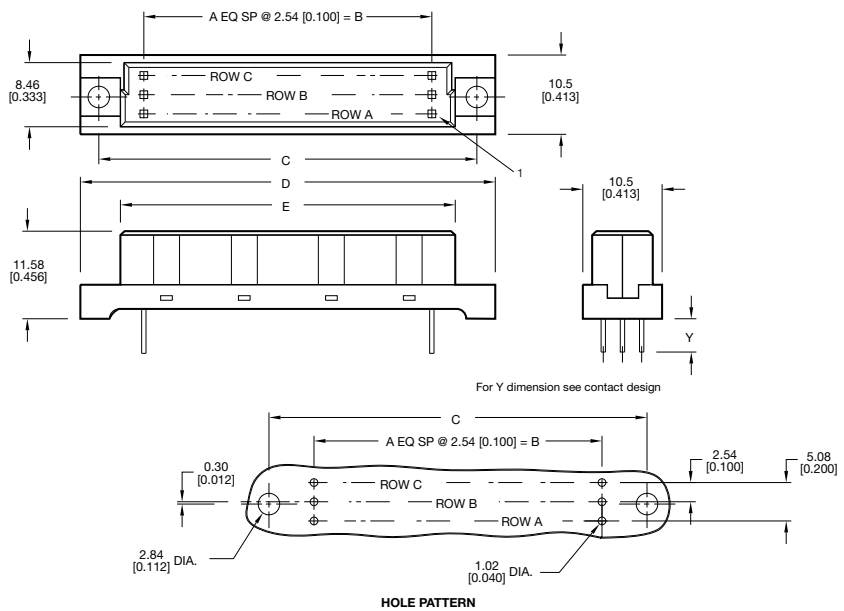


32 contacts, row a loading only



32 contacts, rows a + c even loading

### DIMENSIONS



Unit: millimeters (inches)

| No. Contact Positions | Contact Rows | A  | B                | C                | D                | E                |
|-----------------------|--------------|----|------------------|------------------|------------------|------------------|
| 96                    | 3 (3 x 32)   | 31 | 78.74<br>(3.100) | 90.00<br>(3.543) | 94.89<br>(3.736) | 84.91<br>(3.343) |

## X-ON Electronics

Largest Supplier of Electrical and Electronic Components

*Click to view similar products for [DIN 41612 Connectors](#) category:*

*Click to view products by [Kyocera AVX](#) manufacturer:*

Other Similar products are found below :

[004.767](#) [608489050008049](#) [691327-1](#) [74670-0732](#) [74680-0340](#) [75880-0015](#) [76453-0014](#) [86093159ALF](#) [9732967801](#) [QLC260R](#)  
[120X10019X](#) [120X10089X](#) [122A10249X](#) [122A11089X](#) [122A13089X](#) [122A10089X](#) [122A10129X](#) [122A10349X](#) [122A13359X](#) [1377391-4](#)  
[DIN-048CPC-SR1-MH](#) [1393583-2](#) [1393726-7](#) [140X10129X](#) [143-1913-000](#) [143-1908-000](#) [1484472-1](#) [2110070-1](#) [2110070-2](#) [CBC20T00-](#)  
[008FDS5-0-1-002VR](#) [172699-5036](#) [2-1393557-4](#) [2-1437084-2](#) [394506](#) [419-2080-402](#) [419-2085-302](#) [V42254B2202C968](#) [419-2086-201](#) [419-](#)  
[2087-002](#) [448657-1](#) [448847-3](#) [5-1393755-9](#) [02990000004](#) [033020](#) [054302](#) [043556](#) [0760557108](#) [09062483201750](#) [0850033067](#)  
[09031646555](#)