

ASSEM TECHNOLOGY 岱煒科技股份有限公司

岱煒科技股份有限公司
ASSEM TECHNOLOGY CO.,LTD.
SPECIFICATION FOR APPROVAL

PROJECT NAME: AH2 BTB

20-AH20S-XXXXX-XXX (Socket)

PART NO.: 20-AH20H-XXXXX-XXX (Header)

| Prepared by | Checked by | Approved by |
|-------------|--------------|--------------|
| Wayne Lien | Steven Chang | Taylor Chang |

PRODUCT NAME : 0.35mm pitch mating height 0.6mm BTB Connector

REV: X6

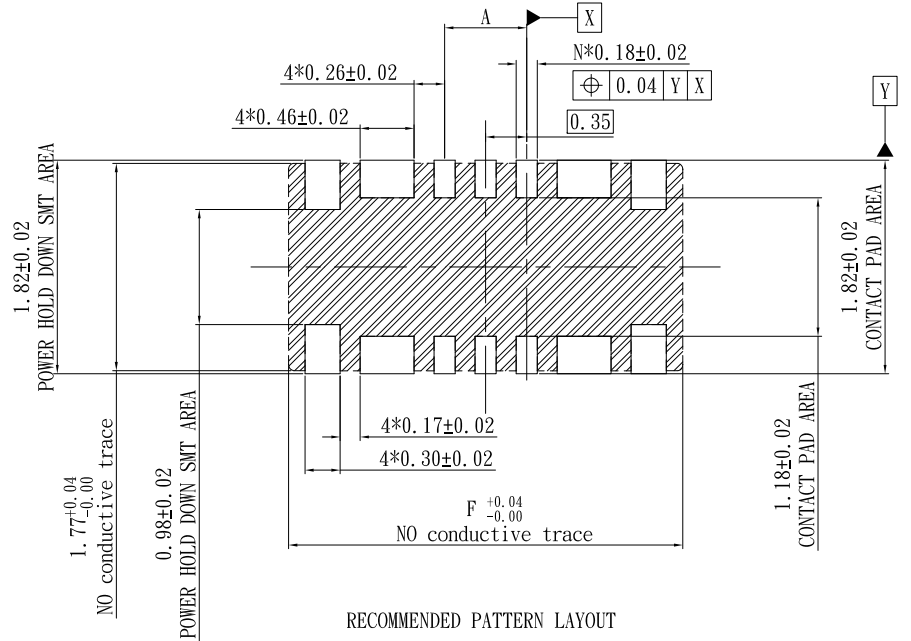
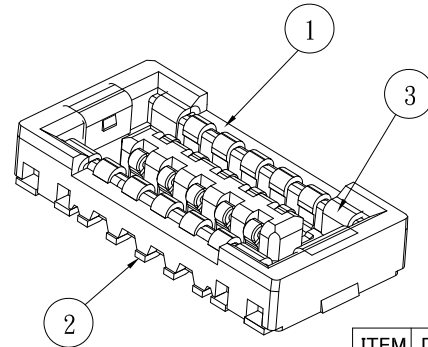
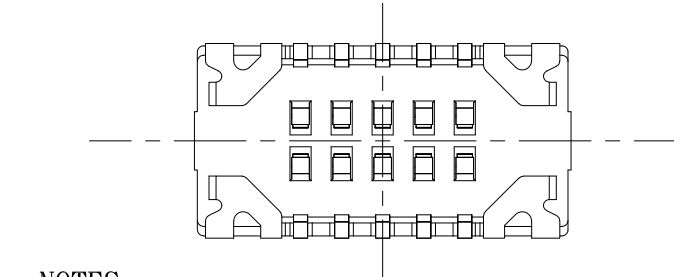
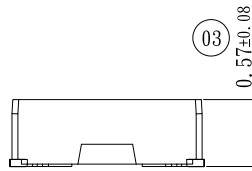
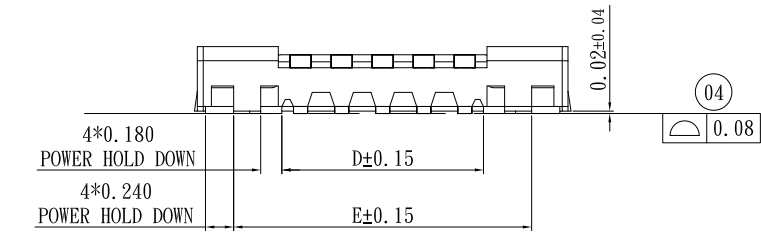
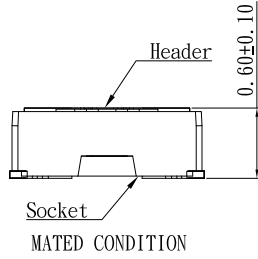
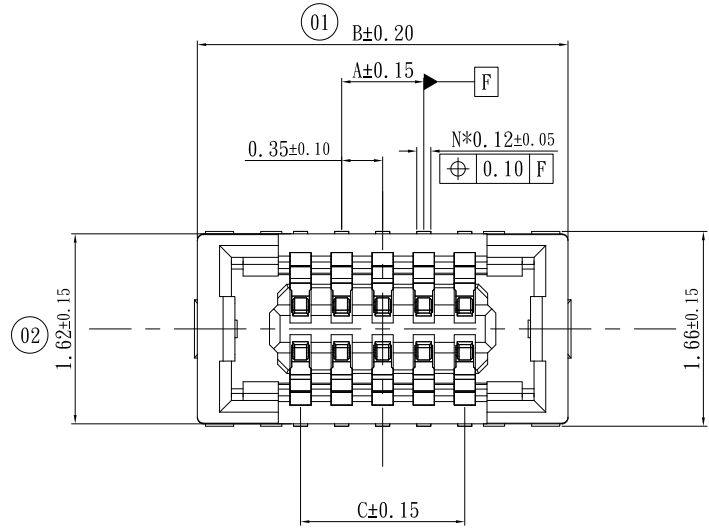
ISSUE DATE: 2022-11-01

PAGE: 1

Customer

| | | | | | | |
|------|----------|-------------|--------------|-------|--------|--------|
| REV. | ECN NO. | DESCRIPTION | DATE | PREP. | CHK | APPR. |
| X1 | DW002119 | NEW RELEASE | 2022. 12. 28 | Wayne | Steven | Taylor |

| NUMBER OF CONTACT | A | B | C | D | E | F |
|-------------------|------|------|------|------|------|------|
| 2 | 0 | 2.46 | 0.7 | 1.02 | 1.84 | 2.66 |
| 6 | 0.70 | 3.16 | 1.40 | 1.72 | 2.54 | 3.36 |
| 8 | 1.05 | 3.51 | 1.75 | 2.07 | 2.89 | 3.71 |
| 10 | 1.40 | 3.86 | 2.10 | 2.42 | 3.24 | 4.06 |
| 12 | 1.75 | 4.21 | 2.45 | 2.77 | 3.59 | 4.41 |
| 16 | 2.45 | 4.91 | 3.15 | 3.47 | 4.29 | 5.11 |



- NOTES :
- MARK "XX" IS MAJOR DIMENSION.
 - COPLANARITY : 0.08 MAX.
 - RoHS Compliant
 - Part No. : 20-AH20S-XXB00-001

No. OF SERIES _____

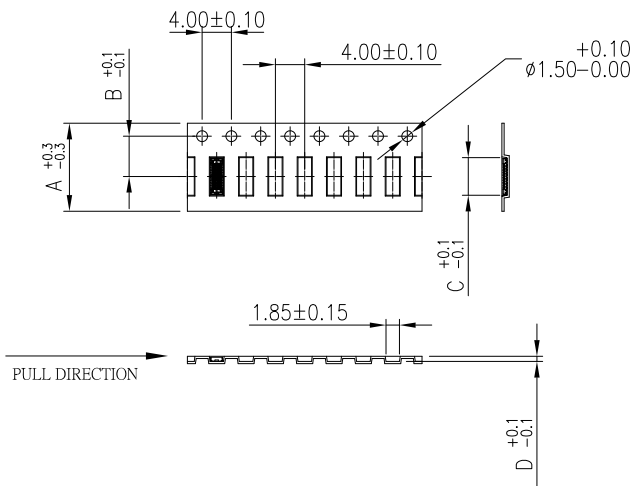
S : SOCKET _____ Contacts No. _____

| ITEM | DESCRIPTIONS | QTY. | MATERIAL | FINISH | REMARKS |
|------|--------------|------|-------------------|--|---------|
| ① | HOUSING | 1 | HIGH TEMP.PLASTIC | BLACK | UL94-V0 |
| ② | CONTACT | - | COPPER ALLOY | Contact area: Gold Flash over Ni 50µ" Min. Solder area:Gold Flash over Ni 50µ" Min. | - |
| ③ | POWER PIN | 2 | COPPER ALLOY | Contact area: Gold Flash over Ni 50µ" Min. Solder area:Gold Flash over Ni 50µ" Min. | - |

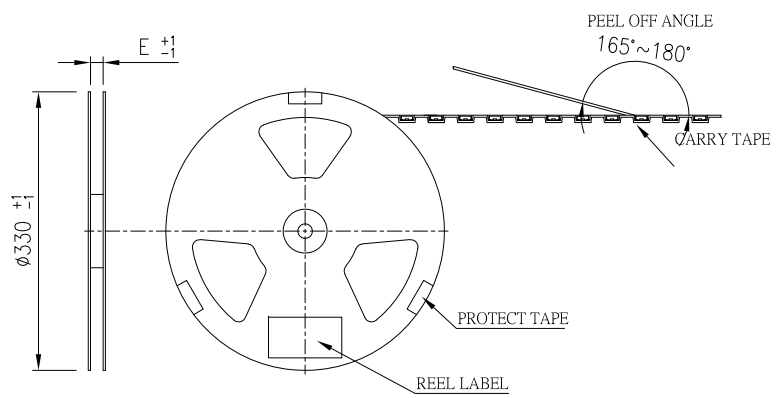
| | | | | | |
|-------------------|-------------|--------------------|--------|--|--------------|
| General tolerance | | P / N | | TITLE | |
| DIMENSION | ANGLES | 20-AH20S-XXB00-001 | | 0.35 Pitch AH2 Board to Board Mating height 0.6mm Socket Approval | |
| .X ±0.30 | X. ° ±2° | PREP. | Wayne | Original Date | 2022. 12. 28 |
| .XX ±0.20 | X.X' ±1° | CHK. | Steven | SCALE | UNIT |
| .XXX ±0.15 | X.XX' ±0.5° | APPD. | Taylor | 16:1 | mm |
| | | | | REV. | SHEET |
| | | | | X1 | 1 / 1 |

ATC ASSEM TECHNOLOGY CO., LTD.

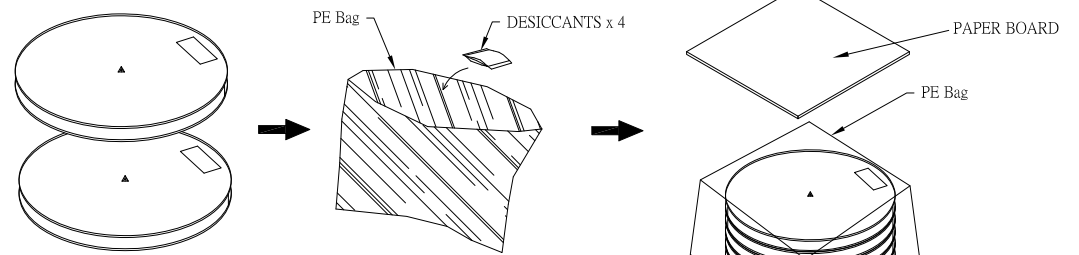
| | | | | | | | | | |
|---|---|-----------|------|----------|-------------|----------|-------|--------|--------|
| 1 | 2 | 3 | 4 | 5 | 6 | 7 | 8 | | |
| | | DCC ISSUE | REV. | ECN NO. | DESCRIPTION | DATE | PREP. | CHK | APPR. |
| | | | X1 | PS000075 | NEW RELEASE | 2023.1.9 | Wayne | Steven | Taylor |
| | | | | | | | | | |



Reel package (EIAJ ET - 7200B) MATERIAL : PS



Note :
 1.Part No. : 20-AH20S-XXB00-001
 No. Of Series
 S : Socket Contacts No.



| | | | | | | | | | |
|-----|-------|-------|-------|-------|-------|-----------|-------|-----------|-------|
| 16 | 16 | 6.75 | 5.10 | 0.77 | 17.4 | 15000 pcs | 5 | 75000 pcs | 145 |
| 12 | 12 | 5.5 | 4.40 | 0.77 | 12.5 | 15000 pcs | 5 | 75000 pcs | 145 |
| 10 | 12 | 5.5 | 4.05 | 0.77 | 12.5 | 15000 pcs | 5 | 75000 pcs | 145 |
| 8 | 12 | 5.5 | 3.70 | 0.77 | 12.5 | 15000 pcs | 5 | 75000 pcs | 145 |
| 6 | 12 | 5.5 | 3.35 | 0.77 | 12.5 | 15000 pcs | 5 | 75000 pcs | 145 |
| 2 | 12 | 5.5 | 2.65 | 0.77 | 12.5 | 15000 pcs | 5 | 75000 pcs | 145 |
| PIN | DIM A | DIM B | DIM C | DIM D | DIM E | Reel | Reels | Carton | DIM F |

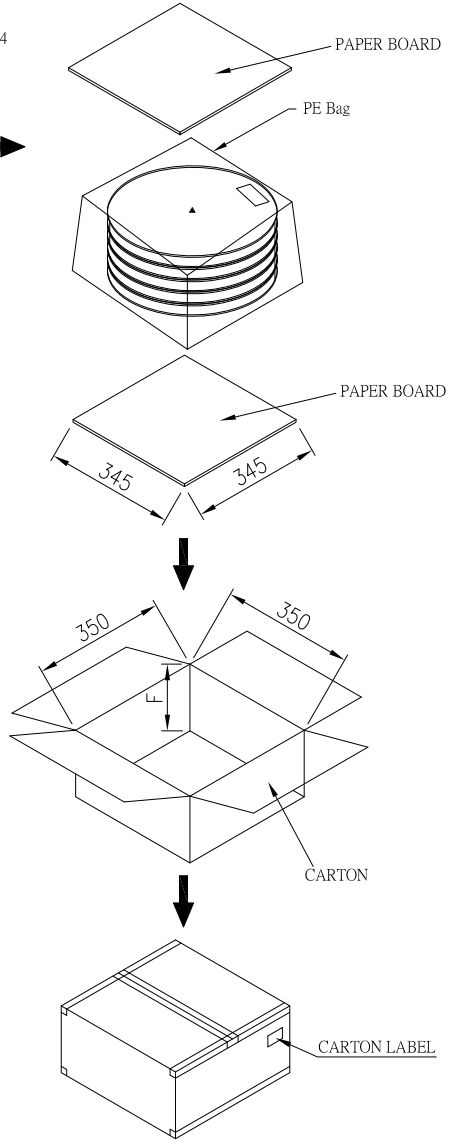
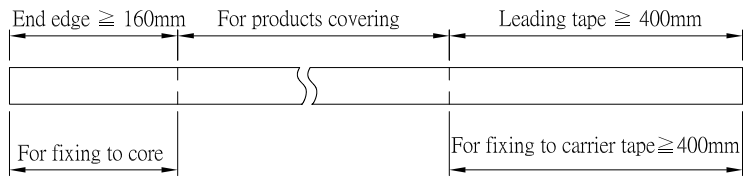
CARTON LABEL (10 * 6 * 1 mm)

| | |
|-------------|--|
| Description | |
| Part No. | |
| Quantity | |
| N. W | |
| G. W | |

REEL LABEL (10 * 6 * 1 mm)

| | |
|---------------------------|--|
| Assem Technology Co., Ltd | |
| Description | |
| Part No. | |
| Quantity | |
| Date Code | |

Cover Tape MATERIAL : PET

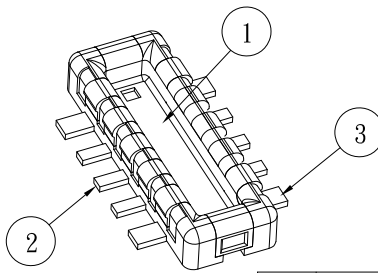
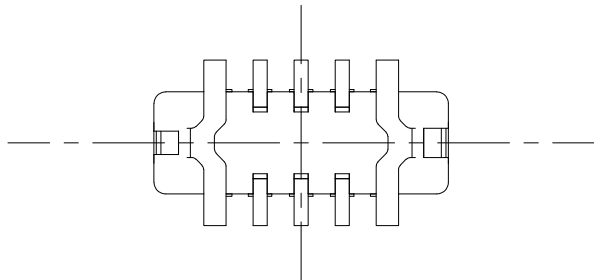
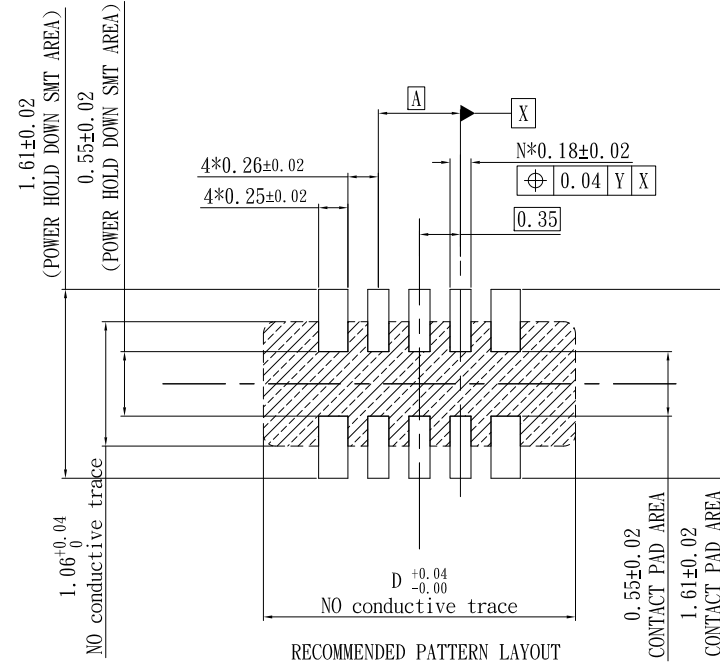
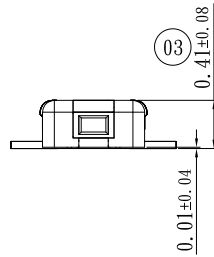
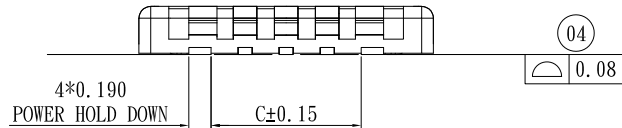
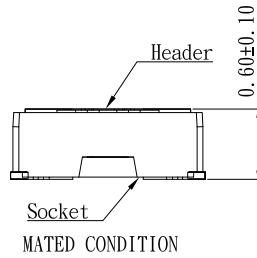
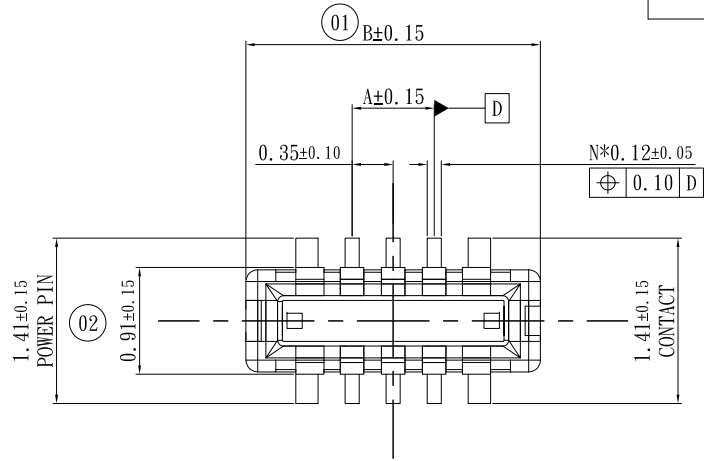


| | | | | | | | | | |
|--|--------------------|--------------------|--------|---------------|----------|--------------------|--|------|--------------------------------|
| General tolerance | | P / N | | | TITLE | | 0.35 Pitch AH2 Board to Board Mating height 0.6mm Socket PACKING SPEC. | | |
| DIMENSION | ANGLES | 20-AH20S-XXB00-001 | | | D / N | 20-AH20S-XXB00-001 | | | |
| .X ± 0.35 .XX ± 0.25 .XXX ± 0.15 | X° ±5° X.X° ±3° | PREP. | Wayne | Original Date | 2023/1/9 | SCALE | UNIT | REV. | SHEET |
| | | CHK. | Steven | ⊕ | 1:1 | mm | X1 | 1/1 | ATC ASSEM TECHNOLOGY CO., LTD. |
| | | APPD. | Taylor | | | | | | |

Customer

| | | | | | | |
|------|----------|-------------|--------------|-------|--------|--------|
| REV. | ECN NO. | DESCRIPTION | DATE | PREP. | CHK | APPR. |
| X1 | DW002119 | NEW RELEASE | 2022. 12. 29 | Wayne | Steven | Taylor |

| NUMBER OF CONTACT | A | B | C | D |
|-------------------|------|------|------|------|
| 2 | 0 | 1.81 | 0.58 | 1.96 |
| 6 | 0.70 | 2.51 | 1.28 | 2.66 |
| 8 | 1.05 | 2.86 | 1.63 | 3.01 |
| 10 | 1.40 | 3.21 | 1.98 | 3.36 |
| 12 | 1.75 | 3.56 | 2.33 | 3.71 |
| 16 | 2.45 | 4.26 | 3.03 | 4.41 |



- NOTES :
- MARK "XX" IS MAJOR DIMENSION.
 - COPLANARITY : 0.08 MAX.
 - RoHS Compliant
 - Part No. : 20-AH20H-XXA00-001

No. OF SERIES

H : HEADER

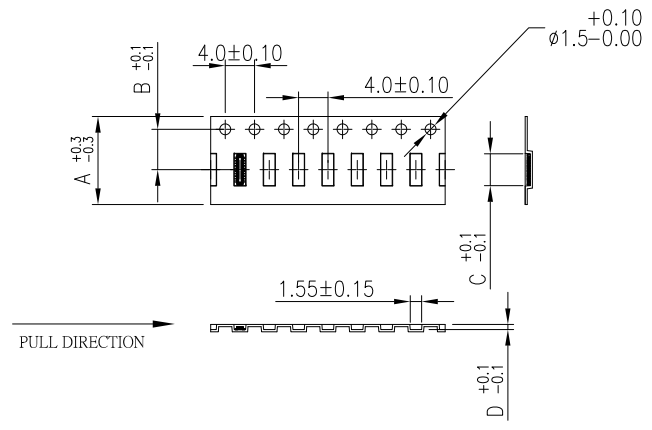
Contacts No.

| ITEM | DESCRIPTIONS | QTY. | MATERIAL | FINISH | REMARKS |
|------|--------------|------|-------------------|--|---------|
| ① | HOUSING | 1 | HIGH TEMP.PLASTIC | BLACK | UL94-V0 |
| ② | CONTACT | - | COPPER ALLOY | Contact area: Gold Flash over Ni 50µ" Min. Solder area:Gold Flash over Ni 50µ" Min. | - |
| ③ | POWER PIN | 2 | COPPER ALLOY | Contact area: Gold Flash over Ni 50µ" Min. Solder area:Gold Flash over Ni 50µ" Min. | - |

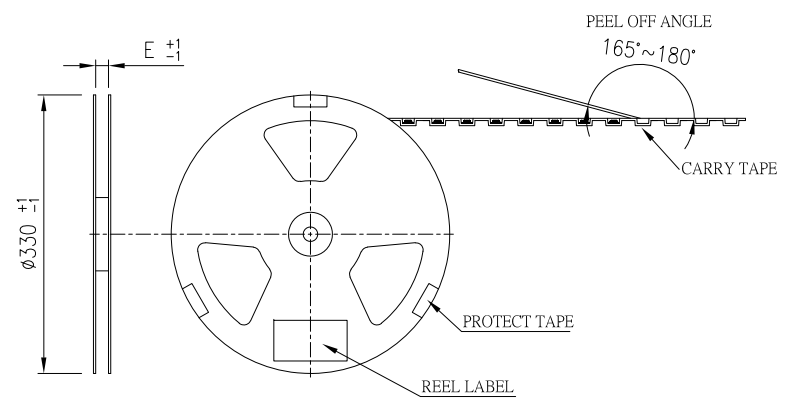
| | | | | | |
|-------------------|-------------|--------------------|--------|---|--------------|
| General tolerance | | P / N | | TITLE | |
| DIMENSION | ANGLES | 20-AH20H-XXB00-001 | | 0.35 Pitch AH2 Board to Board Mating height 0.6mm Header Approval | |
| .X ±0.30 | X. ° ±2° | PREP. | Wayne | Original Date | 2022. 12. 29 |
| .XX ±0.20 | X.X' ±1° | CHK. | Steven | SCALE | UNIT |
| .XXX ±0.15 | X.XX' ±0.5° | APPD. | Taylor | 16:1 | mm |
| | | | | REV. | SHEET |
| | | | | X1 | 1 / 1 |

ATC ASSEM TECHNOLOGY CO., LTD.

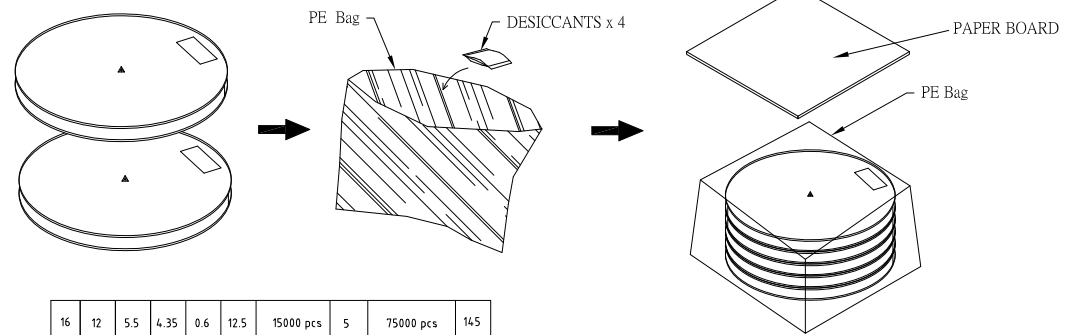
| | | | | | | | | | |
|---|---|-----------|---------|------------------|-------------------------|---------------|-------------|-------------|--------------|
| 1 | 2 | 3 | 4 | 5 | 6 | 7 | 8 | | |
| | | DCC ISSUE | REV. X1 | ECN NO. PS000075 | DESCRIPTION NEW RELEASE | DATE 2023.1.9 | PREP. Wayne | CHK. Steven | APPR. Taylor |



Reel package (EIAJ ET - 7200B) MATERIAL : PS



Note :
 Part No. : 20-AH20H-XXB00-001
 No. Of Series
 H : Header Contacts No.



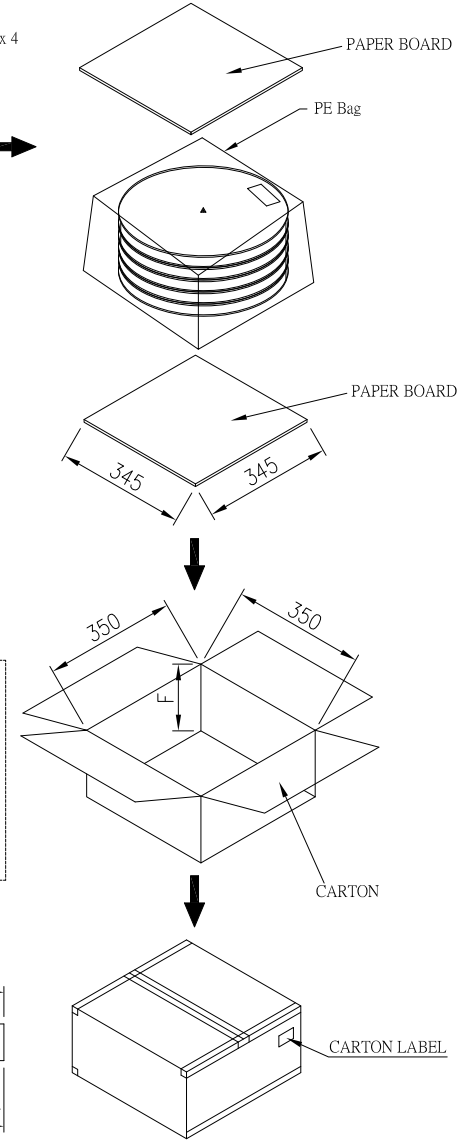
| | | | | | | | | | |
|-----|-------|-------|-------|-------|-------|-----------|-------|-----------|-------|
| 16 | 12 | 5.5 | 4.35 | 0.6 | 12.5 | 15000 pcs | 5 | 75000 pcs | 145 |
| 12 | 12 | 5.5 | 3.65 | 0.6 | 12.5 | 15000 pcs | 5 | 75000 pcs | 145 |
| 10 | 12 | 5.5 | 3.30 | 0.6 | 12.5 | 15000 pcs | 5 | 75000 pcs | 145 |
| 8 | 12 | 5.5 | 2.95 | 0.6 | 12.5 | 15000 pcs | 5 | 75000 pcs | 145 |
| 6 | 12 | 5.5 | 2.60 | 0.6 | 12.5 | 15000 pcs | 5 | 75000 pcs | 145 |
| 2 | 12 | 5.5 | 1.90 | 0.6 | 12.5 | 15000 pcs | 5 | 75000 pcs | 145 |
| PIN | DIM A | DIM B | DIM C | DIM D | DIM E | Reel | Reels | Carfon | DIM F |

CARTON LABEL (10 * 6 * 1 mm)

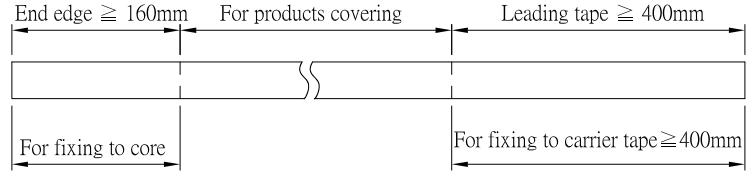
| | |
|-------------|--|
| Description | |
| Part No. | |
| Quantity | |
| N. W | |
| G. W | |

REEL LABEL (10 * 6 * 1 mm)

| | |
|---------------------------|--|
| Assem Technology Co., Ltd | |
| Description | |
| Part No. | |
| Quantity | |
| Date Code | |



Cover Tape MATERIAL : PET



| | | | | | | | | | |
|--|--|----------------------|--------------|--------------------|---------------|----------|-----------|--|------|
| General tolerance | | P / N | | | | TITLE | | 0.35 Pitch AH2 Board to Board Mating height 0.6mm Header PACKING SPEC. | |
| DIMENSION | | ANGLES | | 20-AH20H-XXB00-001 | | D / N | | 20-AH20H-XXB00-001 | |
| .X ± 0.35 .XX ± 0.25 .XXX ± 0.15 | | X° ± 5° X.X° ± 3° | | PREP. Wayne | Original Date | 2023/1/9 | | SCALE | UNIT |
| | | CHK. Steven | APPD. Taylor | 1:1 | mm | REV. X1 | SHEET 1/1 | ATC ASSEM TECHNOLOGY CO., LTD. | |

ASSEM TECHNOLOGY 岱煒科技股份有限公司

Change List

| Date | Version | Change List | Maker |
|------------|---------|--|-------|
| 2021/05/20 | X1 | New Version | Wayne |
| 2021/06/28 | X2 | PART NO. Update | Wayne |
| 2021/11/10 | X3 | Item 6.3 & Item 6.5 & Item 6.6 & Item 7.1 & Item 7.2 & Item 8.2 Update | Wayne |
| 2022/05/31 | X4 | Item 5.2 & Item 6.3 & Item 6.4 & Item 8.1 Update | Wayne |
| 2022/08/02 | X5 | Item 3.1 Update | Wayne |
| 2022/11/01 | X6 | Item 7.1 & Item 7.2 Update | Wayne |

CONFIDENTIAL, NO COPYING

PRODUCT NAME : 0.35mm pitch mating height 0.6mm BTB Connector

REV: X6

ISSUE DATE: 2022-11-01

PAGE: 2

TABLE OF CONTENT

SPECIFICATION OF PRODUCT 4

1. Scope 4

2. Applicable documents:..... 4

3. Requirements:..... 4

4. Manufacture Place : 4

5. Electrical Performance:..... 5

6. Environmental Performance: 6

7. Mechanical Performance:..... 7

8. Other Performance:..... 9

9. Recommended Reflow Profile 10

10. Test sequence..... 11

MATERIAL REFERENCE TABLE 12

CONFIDENTIAL, NO COPYING

PRODUCT NAME : 0.35mm pitch mating height 0.6mm BTB Connector

| | | |
|---------|------------------------|---------|
| REV: X6 | ISSUE DATE: 2022-11-01 | PAGE: 3 |
|---------|------------------------|---------|

SPECIFICATION OF PRODUCT

1. Scope:

This specification covers the requirements of product performance, and test methods provisions of 0.35mm pitch mating height 0.6mm with power pin Board-to-Board connector.

2. Applicable documents:

The following document from a part of this specification to the extent specified herein. In the event of conflict between the requirements of this specification and the product drawing, the product drawing shall take precedence. In the event of conflict between the requirements of this specification and the referenced documents, this specification shall take precedence.

3. Requirements:

3.1. Materials:

Signal Terminal (Socket /Header): Copper Alloy.

The plating description is based on product drawing

Power Terminal (Socket /Header): Copper Alloy.

The plating description is based on product drawing

Housing: Heat Resistance Plastic (UL 94V-0), Black.

3.2. Rating

3.2.1. Operating Conditions

Rated current: Signal terminal 0.3A per pin /Power terminal 3A Max. per pin

Rated voltage: 30V AC/DC

Operating temperature: -40°C ~ 85°C

Operating humidity: 85%R.H max.

3.2.2. Storage Conditions

Storage temperature: -25°C ~ 60°C

Storage Humidity: 85%R.H max. (No freezing or condensation)

4. Manufacture Place :

No.17, Minquan ST., Tucheng Dist., New Taipei City 23679, TAIWAN

PRODUCT NAME : 0.35mm pitch mating height 0.6mm BTB Connector

REV: X6

ISSUE DATE: 2022-11-01

PAGE: 4

ASSEM TECHNOLOGY 岱煒科技股份有限公司

5. Electrical Performance:

| No. | Items | Requirements | Test Procedures |
|-----|-----------------------|--|--|
| 5.1 | Breakdown Voltage | 150V AC for 1minute (Initial stage) | In accordance with EIA 364-20 a) Test voltage, 150V AC (rms) b) Duration, 60 seconds c) Measurement, neighboring contacts and contact to shell. |
| 5.2 | Insulation Resistance | 1000MΩ Min.(initial) After test : 500MΩ Min. | In accordance with EIA 364-21 a) Test voltage, 100V DC b) Measurement, neighboring contacts and contact to shell. |
| 5.3 | Contact Resistance | Signal circuit: 70mΩ Max. initial 100mΩ Max. after test. Power/GND circuit: 20mΩ Max. initial 50mΩ Max. after test. | In accordance with EIA-364-23. a) 20mV max. DC for the open circuit voltage b) 10mA DC for the closed circuit voltage |
| 5.4 | Temperature Rising | Over ambient $\Delta T 30^{\circ}\text{C}$ Max. | The temperature rise above ambient shall not exceed 30°C at any point when power up (see below) a) Signal circuit 0.3 A max. per contact. Power/GND circuit 3.0 A max. per contact. b) Ambient conditions, still air at $25 \pm 5^{\circ}\text{C}$. c) Header and Socket connectors shall be soldered to boards. When the connectors are mated, the board traces shall serially interconnect all the signal and ground contacts. d) Thermocouple shall be located near the interface of the center contact |

PRODUCT NAME : 0.35mm pitch mating height 0.6mm BTB Connector

REV: X6

ISSUE DATE: 2022-11-01

PAGE: 5

ASSEM TECHNOLOGY 岱焯科技股份有限公司

6. Environmental Performance:

| No. | Items | Requirements | Test Procedures |
|-----|-------------------------|---|---|
| 6.1 | Thermal Shock | <p>5 cycles</p> <p>Contact resistance After test: Signal circuit: 100mΩ Max. Power/GND circuit: 50mΩ Max. Insulation resistance : 500MΩ Min. AC 250V(rms) for 1 minute Appearance : No abnormality.</p> | <p>The mated connectors are tested in accordance with EIA 364-32 and the following details shall apply:</p> <p>a) Temperature range between -55 to +85°C b) Temperature transfer rate, less than 1 minute. c) Temperature dwell, 30 minutes at each temperature extreme. d) Duration, 5 cycles.</p> |
| 6.2 | High Temperature Life | <p>Contact resistance After test: Signal circuit: 100mΩ Max. Power/GND circuit: 50mΩ Max. Appearance : No abnormality</p> | <p>The mated connectors are tested in accordance with EIA 364-17</p> <p>a) Temperature, 85±2°C b) Duration, 250 hours.</p> |
| 6.3 | Humidity (Steady State) | <p>Contact resistance After test: Signal circuit: 100mΩ Max. Power/GND circuit: 50mΩ Max. Insulation resistance : 100MΩ Min. DC 100V(rms) for 1 minute Appearance : No abnormality.</p> | <p>The mated connectors are tested in accordance with EIA 364-31 and the following details shall apply:</p> <p>Appearance : No abnormality b) Temperature, 40±2°C c) Humidity, 90 to 95RH%. d) Duration, 240 hours.</p> |
| 6.4 | Humidity (Cycling) | <p>Contact resistance After test: Signal circuit: 100mΩ Max. Power/GND circuit: 50mΩ Max. Insulation resistance : 100MΩ Min. DC 100V(rms) for 1 minute Appearance : No abnormality.</p> | <p>The mated connectors are tested in accordance with EIA 364-31, method III.</p> <p>a) Temperature, 25 to 65°C b) Humidity, 90 to 98RH%. c) Duration, 10 cycles / 240 hours.</p> |
| 6.5 | Salt Spray | <p>Contact resistance After test: Signal circuit: 100mΩ Max. Power/GND circuit: 50mΩ Max. Appearance : No abnormality</p> | <p>The mated connectors are tested in accordance with MIL-STD-202G method 101E Condition B and the following details shall apply:</p> <p>a) Chamber temperature, 35 ± 2°C b) Salt water density, 5 ± 1% by weight. c) Duration, 48 hours.</p> |

PRODUCT NAME : 0.35mm pitch mating height 0.6mm BTB Connector

REV: X6

ISSUE DATE: 2022-11-01

PAGE: 6

ASSEM TECHNOLOGY 岱煒科技股份有限公司

| | | | |
|-----|--------------------------------|---|---|
| 6.6 | H ₂ S Resistance | Contact resistance After test: Signal circuit: 100mΩ Max. Power/GND circuit: 50mΩ Max. Appearance : No abnormality | The mated connectors are tested in Test Condition: a) Appearance: No abnormality. b) Chamber temperature, 40°C c) Humidity, 80 ± 5RH%. d) Concentration, 3 ± 1ppm. e) Duration, 48 hours. |
|-----|--------------------------------|---|---|

7. Mechanical Performance:

| No. | Items | Requirements | Test Procedures |
|-----|--------------------|---|--|
| 7.1 | Mating Force | Connector Mating Force: 2Pin Type : 8.8N Max 6Pin Type : 13.3N Max 8Pin Type : 15.5N Max. 10Pin Type : 17.7N Max. 12Pin Type : 20N Max. 16Pin Type : 24.4N Max. | In accordance with EIA 364-13 and the following details shall apply: a) Cross head speed, 25+/-3 mm/min. b) Mating Force, 2.0N x (n+6) Max. initially. c) Un-mating Force, 0.15N x (n+6) Min. after 10 cycles |
| 7.2 | Un-mating Force | Connector Un-mating Force: 2Pin Type : 1.2N Min. 6Pin Type : 1.8N Min. 8Pin Type : 2.1N Min. 10Pin Type : 2.4N Min. 12Pin Type : 2.7N Min. 16Pin Type : 3.3N Min. | |

PRODUCT NAME : 0.35mm pitch mating height 0.6mm BTB Connector

| | | |
|---------|------------------------|---------|
| REV: X6 | ISSUE DATE: 2022-11-01 | PAGE: 7 |
|---------|------------------------|---------|

ASSEM TECHNOLOGY 岱煒科技股份有限公司

| | | | |
|-----|------------|---|---|
| 7.3 | Vibration | <p>Appearance no damage, loose part nor crack.</p> <p>Contact resistance After test: Signal circuit: 100mΩ Max. Power/GND circuit: 50mΩ Max. Discontinuity : 1μs MAX. Appearance : No abnormality</p> | <p>In accordance with EIA 364-28 and the following details shall apply:</p> <p>a) Discontinuity: 100mA DC, no discontinuity greater than 1μs shall occur.</p> <p>b) Appearance : No abnormality.</p> <p>c) Frequency: 10-55-10Hz / approx., 1 minute.</p> <p>d) Direction: 3 mutually perpendicular directions.</p> <p>e) Total amplitude: 1.52mm.</p> <p>f) Sweep duration: 2 hours for each direction, 6 hours totally.</p> |
| 7.4 | Shock | <p>Appearance no damage, loose part nor crack.</p> <p>Contact resistance After test: Signal circuit: 100mΩ Max. Power/GND circuit: 50mΩ Max. Discontinuity : 1μs MAX. Appearance : No abnormality</p> | <p>The mated connectors are tested in accordance with EIA 364-27 and the following details shall apply:</p> <p>a) Discontinuity: 100mA DC, no discontinuity greater than 1μs shall occur.</p> <p>b) Without physical damage.</p> <p>c) Type: 50G, 11 ms pulse duration, 1/2 Sine.</p> <p>d) Direction: 6 mutually perpendicular directions.</p> <p>e) Duration: 3 cycles each direction.</p> |
| 7.5 | Durability | <p>10 cycles</p> <p>Contact resistance After test: Signal circuit: 100mΩ Max. Power/GND circuit: 50mΩ Max..</p> | <p>In accordance with EIA 364-09 and the following details shall apply</p> <p>a) Appearance : No abnormality</p> <p>b) Automatic equipment Mating/Un-Mating: 500 ± 50 cycle/hour.</p> |

PRODUCT NAME : 0.35mm pitch mating height 0.6mm BTB Connector

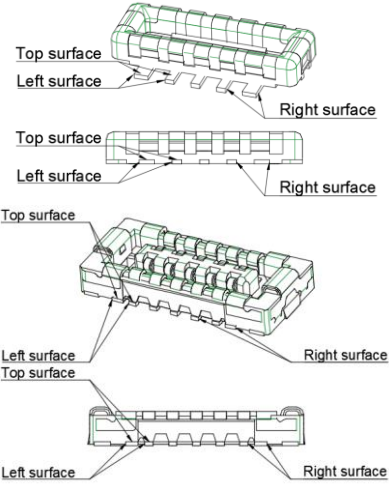
REV: X6

ISSUE DATE: 2022-11-01

PAGE: 8

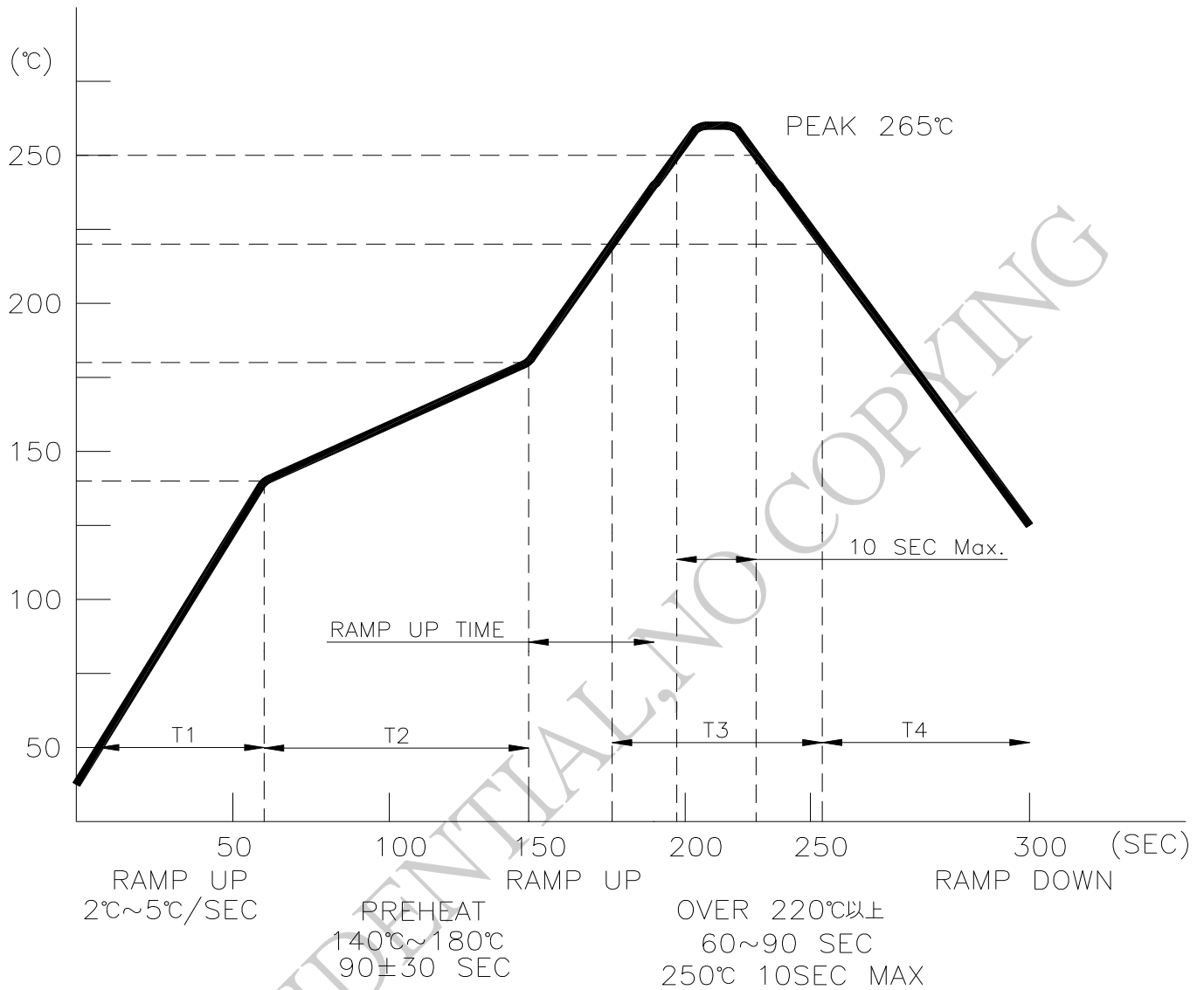
ASSEM TECHNOLOGY 岱煒科技股份有限公司

8. Other Performance:

| No. | Items | Requirements | Test Procedures |
|-----|---------------------------|---|---|
| 8.1 | Solder Ability | <p>The dipped PIN shall be evenly wet.</p> <p>Top surface : More than 50% Left surface : More than 95% Right surface : More than 95%</p>  | <p>Test Condition:</p> <p>a) Solder bath temperature, $245 \pm 5^\circ\text{C}$ b) Immersion duration, 5 ± 0.5 seconds. c) R-type flux with 5 to 10 seconds immersion.</p> |
| 8.2 | Soldering Resistance Heat | <p>Header:</p> <p>Metal mask thickness : 0.08mm Opening ratio : 80% Appearance : No abnormality</p> <p>Socket:</p> <p>Metal mask thickness : 0.1mm Opening ratio : 100% Appearance : No abnormality</p> | <p>In accordance with EIA 364-56</p> <p>a) Without physical damage, 2 cycles. b) Peak Temperature, 250 to 265°C c) Pre-heating, 140 to 180°C with 60 to 120 seconds. d) Reflow profile refer to section #9.0</p> |
| 8.3 | Soldering Iron Resistance | Appearance : No abnormality | <p>a) Iron temperature, $350 \pm 10^\circ\text{C}$ b) Duration, 5 ± 1 seconds with 3 times.</p> |

PRODUCT NAME : 0.35mm pitch mating height 0.6mm BTB Connector

9. Recommended Reflow Profile



| | | |
|-----|-------------------------------|-------------|
| T1: | Temperature Ramp Up Rate | 2°C~5°C/SEC |
| T2: | Preheat: 140°C~180°C | 90±30 SEC |
| T3: | Time Over 220°C | 60~90 SEC |
| T4: | Ramp Down Rate During Cooling | 4°C~7°C/SEC |
| | Peak Temperature | 265°C Max |

PRODUCT NAME : 0.35mm pitch mating height 0.6mm BTB Connector

ASSEM TECHNOLOGY 岱煒科技股份有限公司

10. Test sequence

| Test / Examination | Test Group | | | | | | | | | | | |
|---------------------------|------------|-----|-------|-----|-----|-----|-----|-----|-----|----|----|----|
| | A | B | C | D | E | F | G | H | J | K | L | M |
| Contact Resistance | | 2,6 | 1,3,5 | 1,5 | 1,3 | 1,5 | 1,5 | 1,3 | 1,3 | | | |
| Insulation Resistance | | | | 2,6 | | 2,6 | 2,6 | | | | | |
| Breakdown Voltage | | | | 3,7 | | 3,7 | 3,7 | | | | | |
| Temperature Rising | 1 | | | | | | | | | | | |
| Mating Force | | 1,5 | | | | | | | | | | |
| Un-mating Force | | 3,7 | | | | | | | | | | |
| Durability | | 4 | | | | | | | | | | |
| Vibration | | | 2 | | | | | | | | | |
| Shock | | | 4 | | | | | | | | | |
| Thermal Shock | | | | 4 | | | | | | | | |
| High Temperature Life | | | | | 2 | | | | | | | |
| Humidity (Steady State) | | | | | | 4 | | | | | | |
| Humidity (Cycling) | | | | | | | 4 | | | | | |
| Salt Spray | | | | | | | | 2 | | | | |
| H2S Resistance | | | | | | | | | 2 | | | |
| Solder-ability | | | | | | | | | | 1 | | |
| Soldering Resistance Heat | | | | | | | | | | | 1 | |
| Soldering Iron Resistance | | | | | | | | | | | | 1 |
| Sample Size | 5 | 5 | 5 | 5 | 5 | 5 | 5 | 5 | 5 | 10 | 10 | 10 |

PRODUCT NAME : 0.35mm pitch mating height 0.6mm BTB Connector

REV: X6

ISSUE DATE: 2022-11-01

PAGE: 11

MATERIAL REFERENCE TABLE

| Parts Name | General Name | Model No. | Heat Resistance Level |
|-----------------------|-------------------------|--------------|-----------------------|
| Housing | Heat Resistance Plastic | LCP | UL94V-0 |
| Socket Terminal | Croson Alloy | Copper Alloy | — |
| Header Terminal | Croson Alloy | Copper Alloy | --- |
| Socket Power Terminal | Croson Alloy | Copper Alloy | — |
| Header Power Terminal | Croson Alloy | Copper Alloy | --- |

CONFIDENTIAL, NO COPYING

PRODUCT NAME : 0.35mm pitch mating height 0.6mm BTB Connector

X-ON Electronics

Largest Supplier of Electrical and Electronic Components

Click to view similar products for [Board to Board & Mezzanine Connectors](#) category:

Click to view products by [Kyocera AVX](#) manufacturer:

Other Similar products are found below :

[589158040000018](#) [MDF7C-18P-2.54DSA\(55\)](#) [FCN-268F036-G/BD](#) [FCN-268M012-G/0D](#) [FCN-268M024-G/1D](#) [MIS-048-01-F-D-DP-K](#)
[832-10-034-10-001000](#) [FX4C-80S-1.27DSA](#) [93696-330](#) [224393](#) [FCN-235D050-G/C](#) [210-93-314-41-105000](#) [MDF7-40DP-2.54DSA\(55\)](#)
[55323-1519](#) [069159702701000](#) [101A10019X](#) [105061100000861+](#) [75140-7012](#) [87471-650](#) [1744382-4](#) [063209](#) [10124054-515LF](#) [68685-603](#)
[8-1616154-3](#) [541371078](#) [IL-WX-10PB-HF-B-E1000E](#) [FX23-40P-0.5SV15B](#) [FCN-214J100-G/0](#) [354184](#) [P50-028-DDS-TG](#) [53309-2471](#)
[54546-2071](#) [1586617-1](#) [504248-1210](#) [504248-2010](#) [1-1437355-2](#) [9159005551906](#) [NDS100-004-BF](#) [93696-730LF](#) [91922-31141LF](#) [505274-](#)
[3440](#) [501493-2410](#) [504208-3410](#) [505006-0811](#) [505274-2040](#) [202436-1600](#) [202477-0414](#) [71660-7580](#) [73420-5192](#) [360-10-107-00-001000](#)