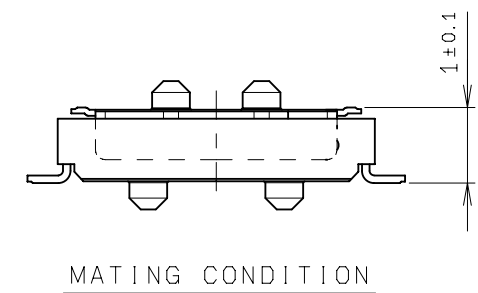
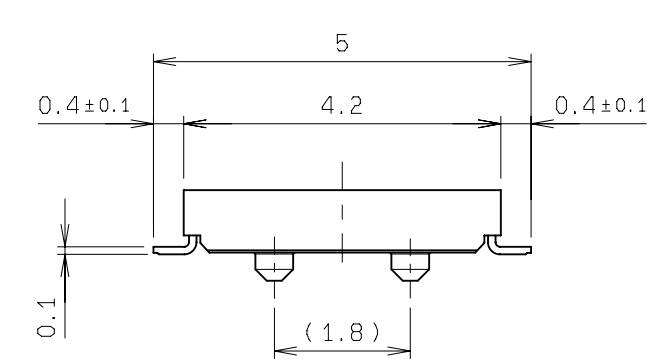
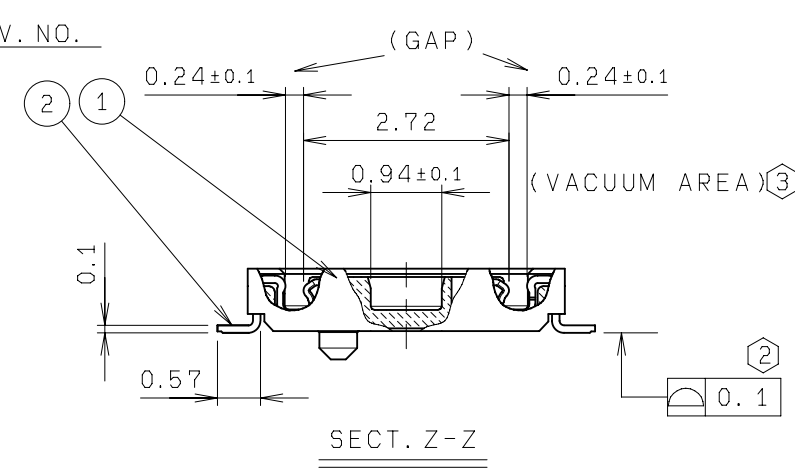
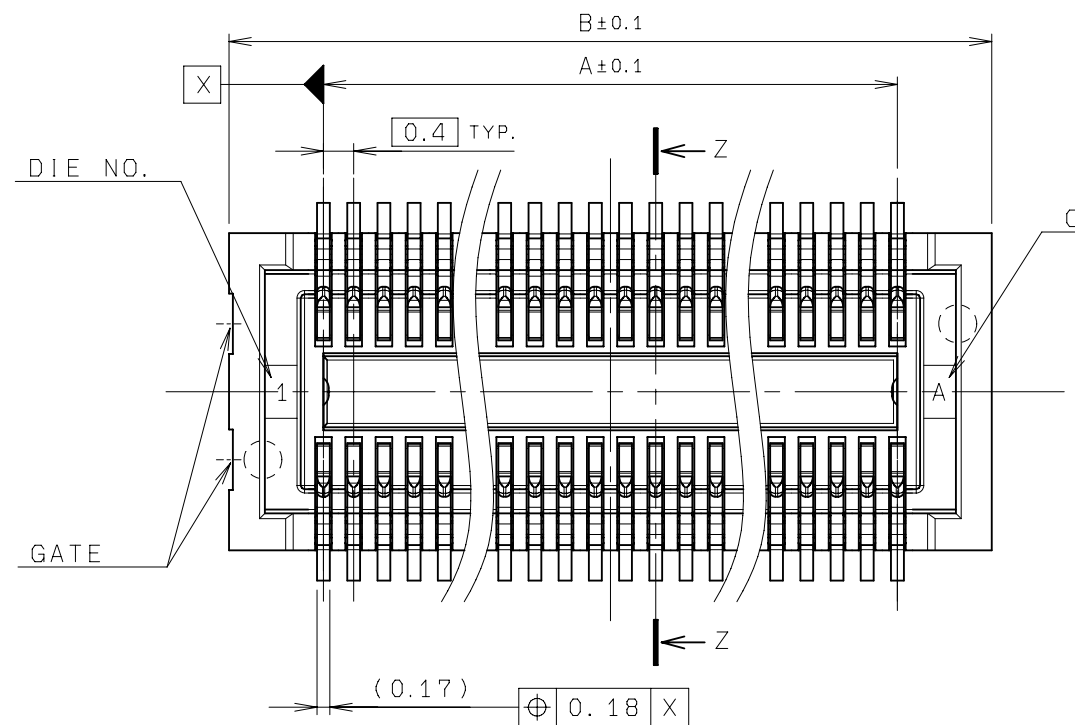


NO.	DESCRIPTION	PART NO.	QTY	MATERIAL	DRW NO.	REMARKS
1	INSULATOR		1	LCP		COLOR:BLACK
2	CONTACT		N	COPPER ALLOY		Au

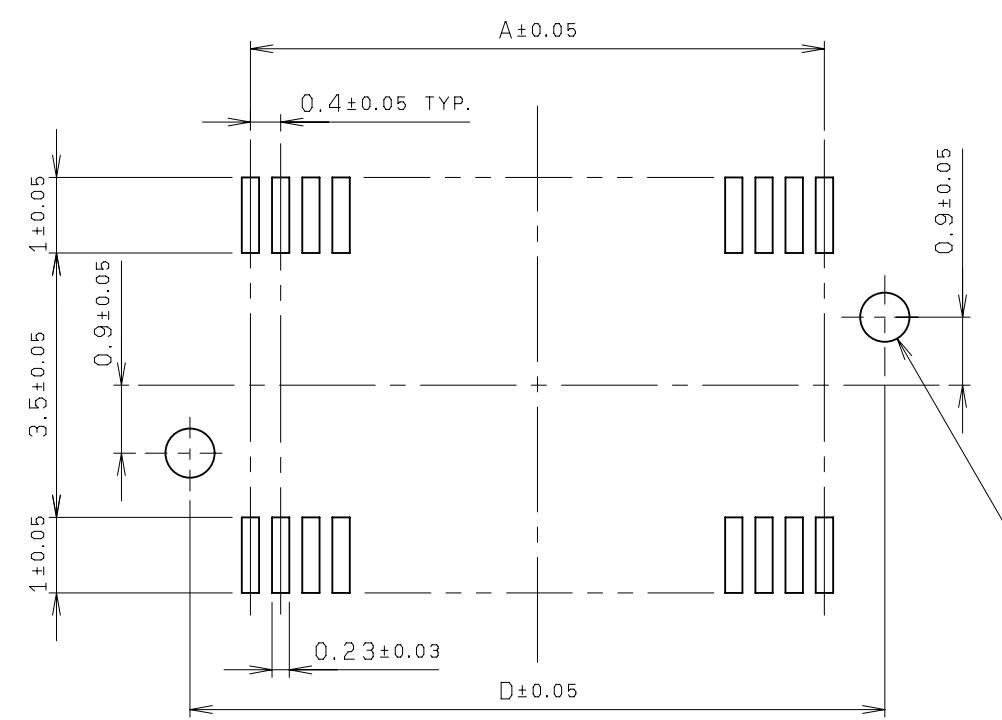
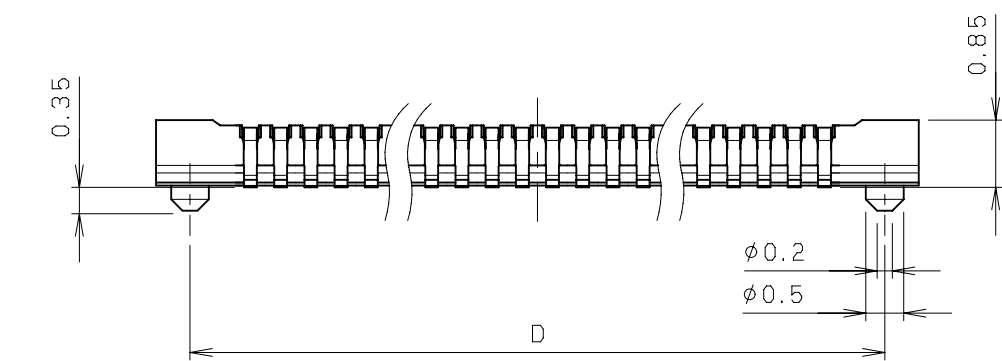


極数 NO. OF POS.	A	B	D
10	1.6	4.1	3.2
16	2.8	5.3	4.4
20	3.6	6.1	5.2
24	4.4	6.9	6.0
26	4.8	7.3	6.4
30	5.6	8.1	7.2
34	6.4	8.9	8.0
40	7.6	10.1	9.2
44	8.4	10.9	10.0
50	9.6	12.1	11.2
54	10.4	12.9	12.0
60	11.6	14.1	13.2
64	12.4	14.9	14.0
70	13.6	16.1	15.2
80	15.6	18.1	17.2

注記  
NOTE  
1. 型番  
P/N 20 5805 XXX 00X 829 H +  
極数  
NO. OF POS.  
バリエーション  
VARIATION

	ANCHOR PLATE	BOSS	GUIDE POST
0	-	-	-
1	-	◎	-

◎: WITH - : WITHOUT  
② テール及び金具底面の相互の輪郭度は、0.1MAX.  
COPLANARITY OF CONTACT TAIL AND ANCHOR PLATE IS 0.1MAX.  
③ 凸凹無き事。  
FLAT KEEPING AREA



2-φ0.65<sup>+0.1</sup><sub>0</sub>

ROHS規制対応  
COMPLIANT WITH  
ROHS REGULATIONS

TOLERANCE / 一般公差 (S)		PRODUCT SPEC / 製品規格							
X < 10	±0.2			A	DCN-977	10-31-07			
10 ≤ X < 30	±0.25	UNIT	ANGLE	O	EDN-890	8-09-06		A. TSUNEMURA	Y. SHIROYAMA
30 ≤ X	±0.3	mm	3RD	NO.	EDN/DCN	DATE	ISSUE	CHECKED	APPROVED
ANGLE / 角度	±3°	SCALE	DATE	PART NAME / 品名					
		3/1	8-09-06	SERIES 5805 REC ASSY ST SMT 0.4mm PITCH BOARD TO BOARD H=1.0 (LCP)					
DRAWN	DESIGNED	CHECKED	APPROVED	PART NO. / 型番					
T. KOMATSU	A. TSUNEMURA	Y. SHIROYAMA	N. HAYASHI	20 5805 XXX 00X 829 H +					
KYOCERA				DWG NO. / 図番		ISHEET/REV			
KYOCERA ELCO CORPORATION				BJS 5805033		1/1		A	

## X-ON Electronics

Largest Supplier of Electrical and Electronic Components

*Click to view similar products for [Board to Board & Mezzanine Connectors](#) category:*

*Click to view products by [Kyocera AVX](#) manufacturer:*

Other Similar products are found below :

[589158040000018](#) [MDF7C-18P-2.54DSA\(55\)](#) [FCN-230C068-11](#) [FCN-268F012-G/BD](#) [FCN-268F036-G/BD](#) [FCN-268M012-G/0D](#) [FCN-268M024-G/1D](#) [FCN-723J004/1](#) [MIS-048-01-F-D-DP-K](#) [832-10-034-10-001000](#) [FX4C-80S-1.27DSA](#) [FCN-214Q030-G/0](#) [FCN-234P048-G/0](#) [FCN-235D050-G/C](#) [210-93-314-41-105000](#) [2-22603-0](#) [MDF7-40DP-2.54DSA\(55\)](#) [AXG720047](#) [5031084030](#) [MIT-114-03-F-D-K](#) [55323-1519](#) [DF33-2P-3.3DSA\(24\)](#) [YFT-20-05-H-03-SB-K](#) [503308-3040](#) [026-6203-PDB](#) [027-6203-PDB](#) [069159702701000](#) [10123981-102LF](#) [101A10019X](#) [55650-0588-C](#) [68684-306](#) [75140-7012](#) [589159005003045](#) [194261-1](#) [FCN-268F024-G0D](#) [10124054-515LF](#) [68685-603](#) [8-1616154-3](#) [MIS-019-01-F-D](#) [589159005002045](#) [541371078](#) [IL-WX-10PB-HF-B-E1000E](#) [FCN-268M024-G/3D](#) [20021832-06016C1LF](#) [KX15-20KLDL-E1000E](#) [MDF7-16DP-2.54DSA\(55\)](#) [AXE810124](#) [FCN-214J100-G/0](#) [FCN-230C068-E/S](#) [AXE812124](#)