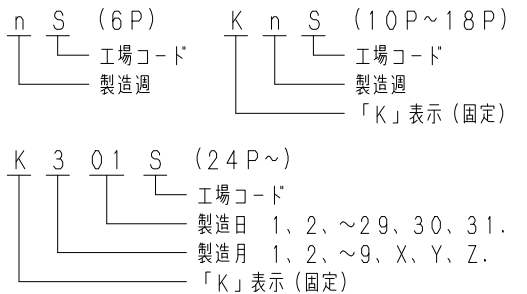


NO.	DESCRIPTION	PART NO.	QTY	MATERIAL	DRW NO.	REMARKS
1	INSULATOR		1	HEAT RESISTING PLASTIC		COLOR:BLACK UL94V-0
2	CONTACT		N	COPPER-ALLOY		Au, Be-Free
3	ANCHOR PLATE		2	COPPER-ALLOY		Au, Be-Free

極数 NO. OF POS.	A	B	C	D	E	F	G
6	0.70	2.40	3.40	1.80	2.30	1.31	2.82
10	1.40	3.10	4.10	2.50	3.00	2.01	3.52
12	1.75	3.45	4.45	2.85	3.35	2.36	3.87
16	2.45	4.15	5.15	3.55	4.05	3.06	4.57
18	2.80	4.50	5.50	3.90	4.40	3.41	4.92
24	3.85	5.55	6.55	4.95	5.45	4.46	5.97
30	4.90	6.60	7.60	6.00	6.50	5.51	7.02
34	5.60	7.30	8.30	6.70	7.20	6.21	7.72
40	6.65	8.35	9.35	7.75	8.25	7.26	8.77
42	7.00	8.70	9.70	8.10	8.60	7.61	9.12
44	7.35	9.05	10.05	8.45	8.95	7.96	9.47
46	7.70	9.40	10.40	8.80	9.30	8.31	9.82
48	8.05	9.75	10.75	9.15	9.65	8.66	10.17
50	8.40	10.10	11.10	9.50	10.00	9.01	10.52
54	9.10	10.80	11.80	10.20	10.70	9.71	11.22
60	10.15	11.85	12.85	11.25	11.75	10.76	12.27

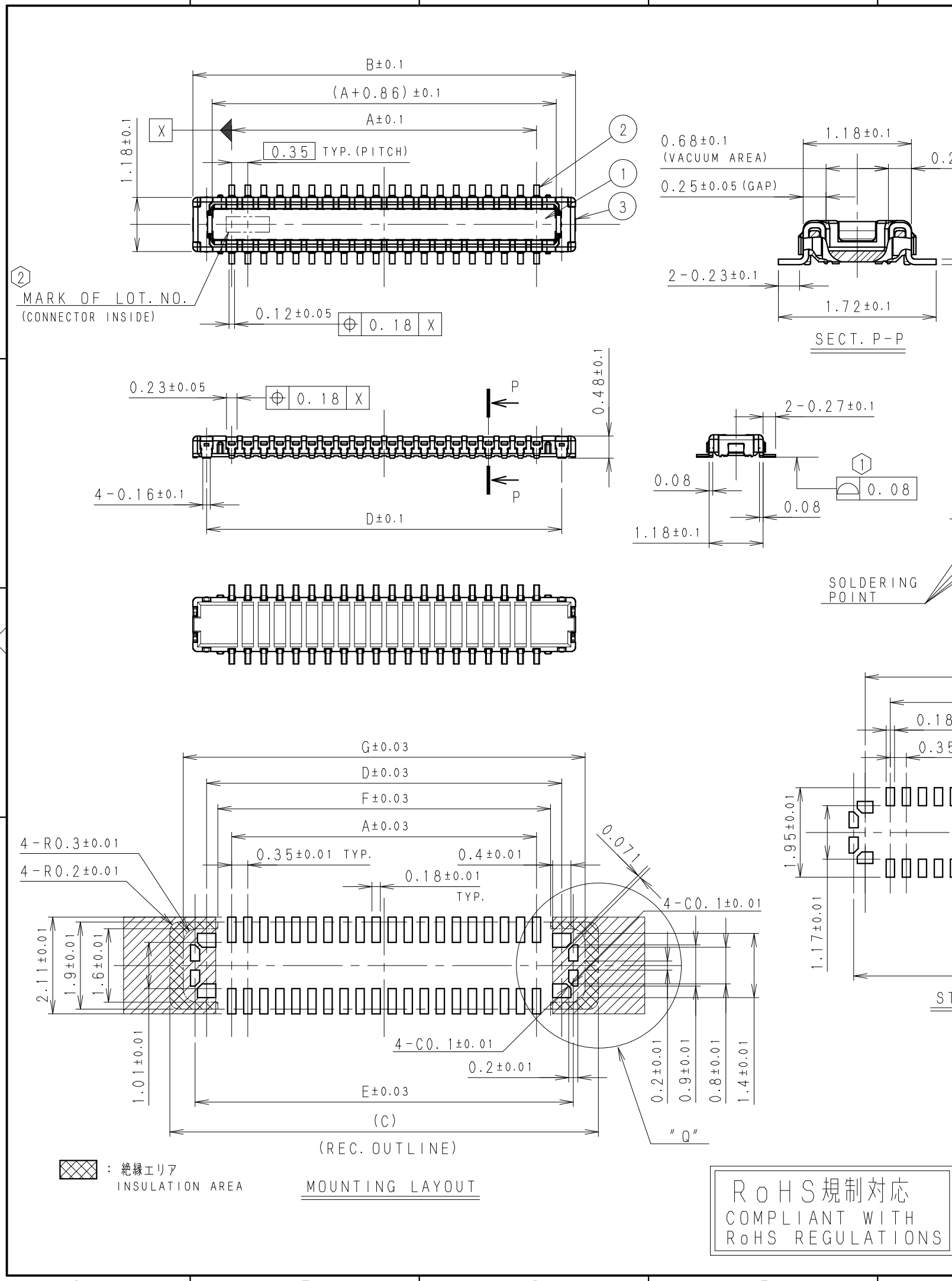
※この表は1ページ目のみ適用
 ※THIS CHART IS APPLICABLE TO SHEET-1 ONLY.

注記
NOTE

- ① テール及び金具底面の相互の輪郭度は、0.08MAX. COPLANARITY OF CONTACT TAIL AND ANCHOR PLATE IS 0.08MAX.
- ② 図示の位置にLOT NO. を刻印する。(レーザー)
 LOT NO. SHALL BE MARKED AT THE SPECIFIED POSITION. (LASER)


3. STENCIL LAYOUTは左図を推奨とする。
 尚、MOUNTING LAYOUTに対し開口率は70%としている。

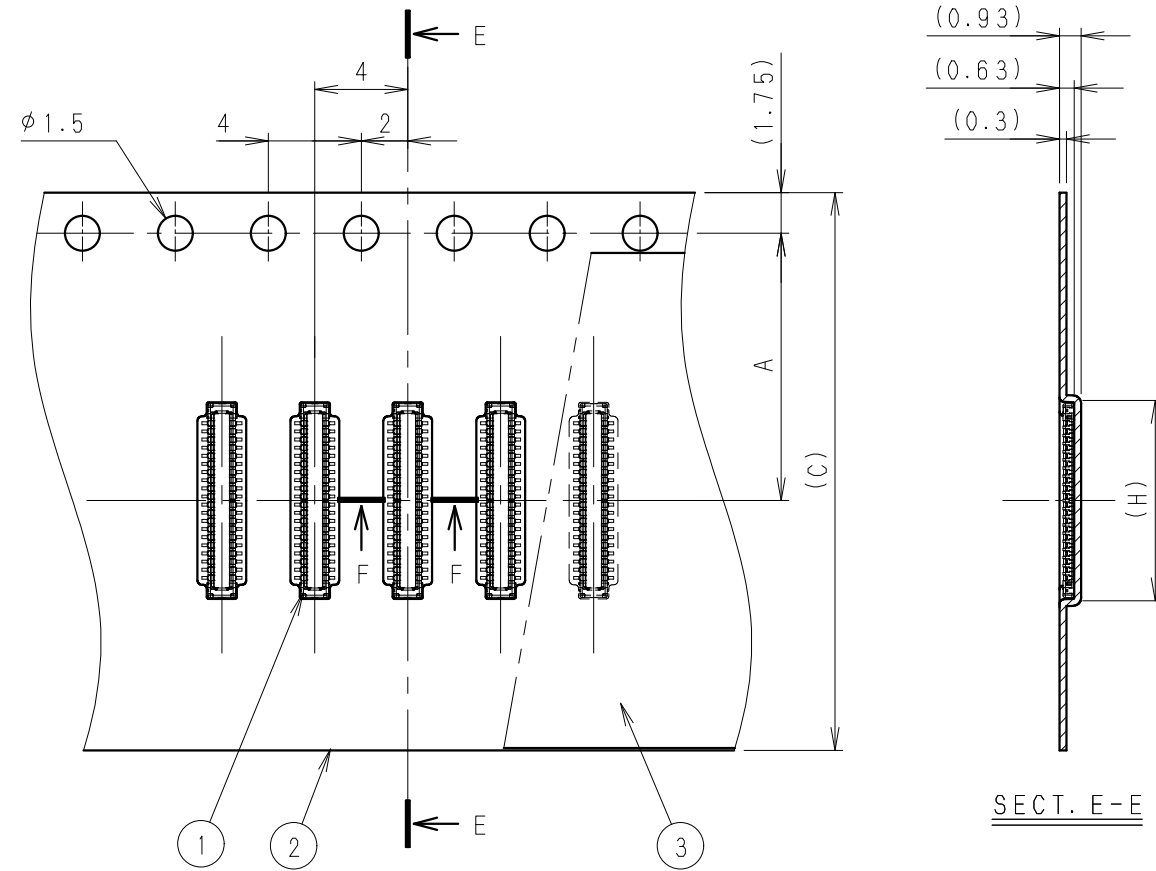
※この注記は1ページ目のみ適用
 ※THIS NOTES IS APPLICABLE TO SHEET-1 ONLY.



RoHS規制対応
 COMPLIANT WITH
 RoHS REGULATIONS

TOLERANCE / 一般公差 (S)		PRODUCT SPEC / 製品規格							
X < 10	±0.2	UNIT	ANGLE	O	EDN-030	2020/07/29	YK. LIN	RS. CHEN	T. SATO
10 ≤ X < 30	±0.25	mm	3RD	NO.	EDN/DCN	DATE	ISSUE	CHECKED	APPROVED
30 ≤ X	±0.3	SCALE	DATE	PART NAME / 品名					
ANGLE / 角度	±3°	NTS	2020/07/29	SERIES 5861 PLUG ASSY 0.35mm PITCH BOARD TO BOARD H=0.6					
DRAWN	DESIGNED	CHECKED	APPROVED	PART NO. / 型番					
YK. LIN	K. HIRATA	RS. CHEN	T. SATO	14 5861 XXX 024 829 + W					
DWG NO. / 図番				SHEET/REV					
BCS 5861001				1/2 0					

NO.	DESCRIPTION	PART NO.	QTY	MATERIAL	DRW NO.	REMARKS
1	CONNECTOR	14 5861 XXX 024 829 + W	15000			10 5861 XXX 024 829 + W
2	EMBOSSED TAPE		1	POLYSTYRENE		
3	TOP COVER TAPE		1	PET		
4	REEL		1	POLYSTYRENE		



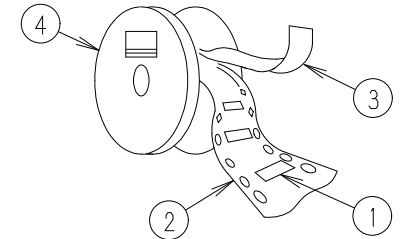
極数 NO. OF POS.	A	B	C	D	H
6	5.5	-	12.0	18.4	2.50
10	5.5	-	12.0	18.4	3.20
12	5.5	-	12.0	18.4	3.55
16	7.5	-	16.0	22.4	4.25
18	7.5	-	16.0	22.4	4.60
24	7.5	-	16.0	22.4	5.65
30	7.5	-	16.0	22.4	6.70
34	7.5	-	16.0	22.4	7.40
40	11.5	-	24.0	30.4	8.45
42	11.5	-	24.0	30.4	8.80
44	11.5	-	24.0	30.4	9.15
46	11.5	-	24.0	30.4	9.50
48	11.5	-	24.0	30.4	9.85
50	11.5	-	24.0	30.4	10.20
54	11.5	-	24.0	30.4	10.90
60	11.5	-	24.0	30.4	11.95

※この表は2ページ目にも適用
 ※THIS CHART IS APPLICABLE TO SHEET-2 ONLY.

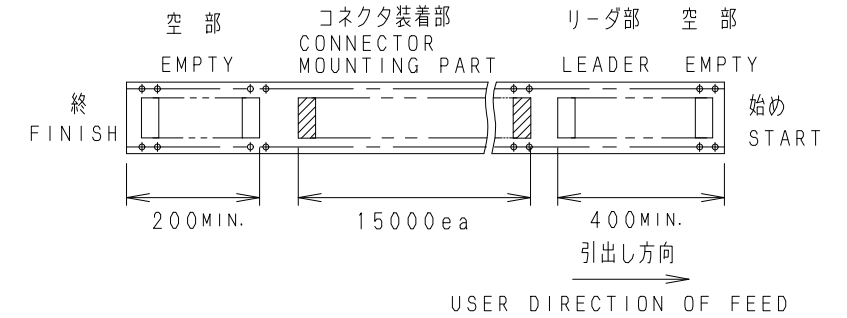
注記
NOTE

1. 梱包数量 : 15000 個/リール
 PACKING QUANTITY : 15000 ea/reel

2. 納入時のリール巻き方向
 REELING DIRECTION IN DELIVERY

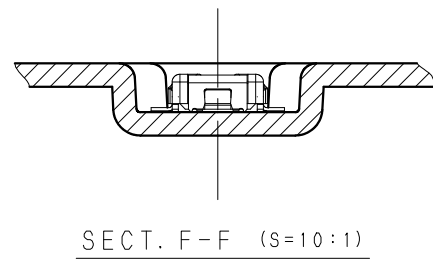
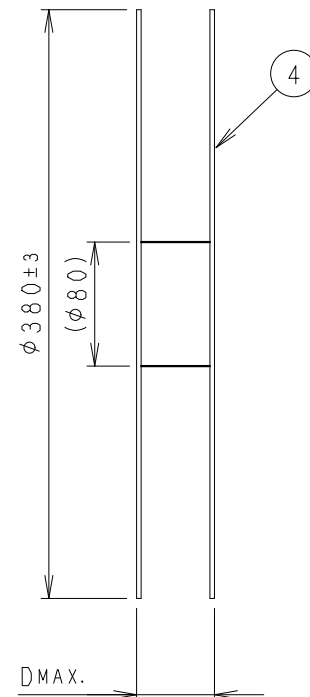
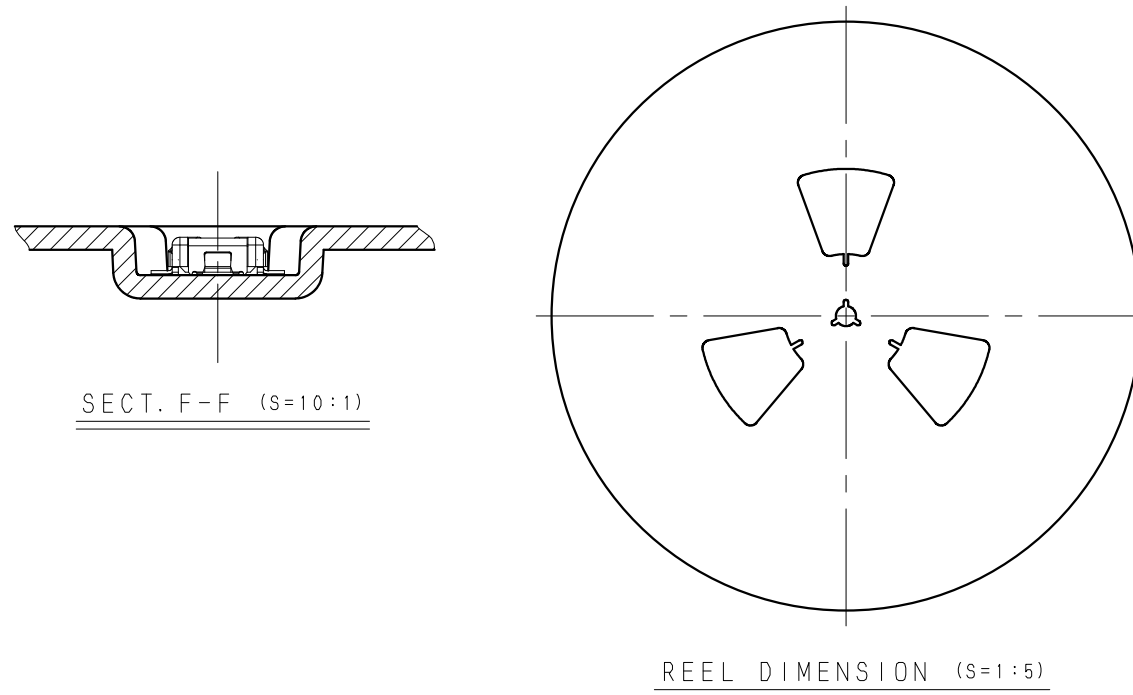


3. 引出し方向
 USER DIRECTION OF FEED



4. 型番 P/N 14 5861 XXX 024 829 + W
 極数 NO. OF POS.

※この注記の1~3は2ページ目にも適用
 ※THIS NOTES 1 TO 3 ARE APPLICABLE TO SHEET-2 ONLY.



RoHS規制対応
 COMPLIANT WITH
 RoHS REGULATIONS

TOLERANCE / 一般公差 (S)		PRODUCT SPEC / 製品規格		REFER TO SHEET 1/2	
X < 10	±0.2	UNIT	ANGLE	NO.	EDN/DCN
10 ≤ X < 30	±0.25	mm	3RD	DATE	ISSUE
30 ≤ X	±0.3	SCALE	DATE	CHECKED	APPROVED
ANGLE / 角度	±3°	3 : 1	2020/07/29	PART NAME / 品名	
DRAWN YK. LIN		DESIGNED K. HIRATA	CHECKED RS. CHEN	SERIES 5861 PLUG EMBOSS TAPE ASSY SMT	
APPROVED T. SATO				0.35mm PITCH BOARD TO BOARD H=0.6 W=1.95	
		PART NO. / 型番		14 5861 XXX 024 829 + W	
		DWG NO. / 図番		BCS 5861001	
				SHEET REV	
				2/2 0	

NO.	DESCRIPTION	PART NO.	QTY	MATERIAL	DRW NO.	REMARKS
1	INSULATOR		1	HEAT RESISTING PLASTIC		COLOR:BLACK UL94V-0
2	CONTACT		N	COPPER-ALLOY		Au, Be-Free
3	ANCHOR PLATE		2	COPPER-ALLOY		Au, Be-Free

極数 NO. OF POS.	A	B	C	D	E	F
6	0.70	2.42	3.40	2.10		3.32
10	1.40	3.12	4.10	2.80		4.02
12	1.75	3.47	4.45	3.15		4.37
16	2.45	4.17	5.15	3.85		5.07
18	2.80	4.52	5.50	4.20		5.42
24	3.85	5.57	6.55	5.25		6.47
30	4.90	6.62	7.60	6.30		7.52
34	5.60	7.32	8.30	7.00		8.22
40	6.65	8.37	9.35	8.05		9.27
42	7.00	8.72	9.70	8.40		9.62
44	7.35	9.07	10.05	8.75		9.97
46	7.70	9.42	10.40	9.10		10.32
48	8.05	9.77	10.75	9.45		10.67
50	8.40	10.12	11.10	9.80		11.02
54	9.10	10.82	11.80	10.50		11.72
60	10.15	11.87	12.85	11.55		12.77

※この表は1ページ目のみ適用
 ※THIS CHART IS APPLICABLE TO SHEET-1 ONLY.

注記
 NOTE

① テール及び金具底面の相互の輪郭度は、0.08MAX.
 COPLANARITY OF CONTACT TAIL
 AND ANCHOR PLATE IS 0.08MAX.

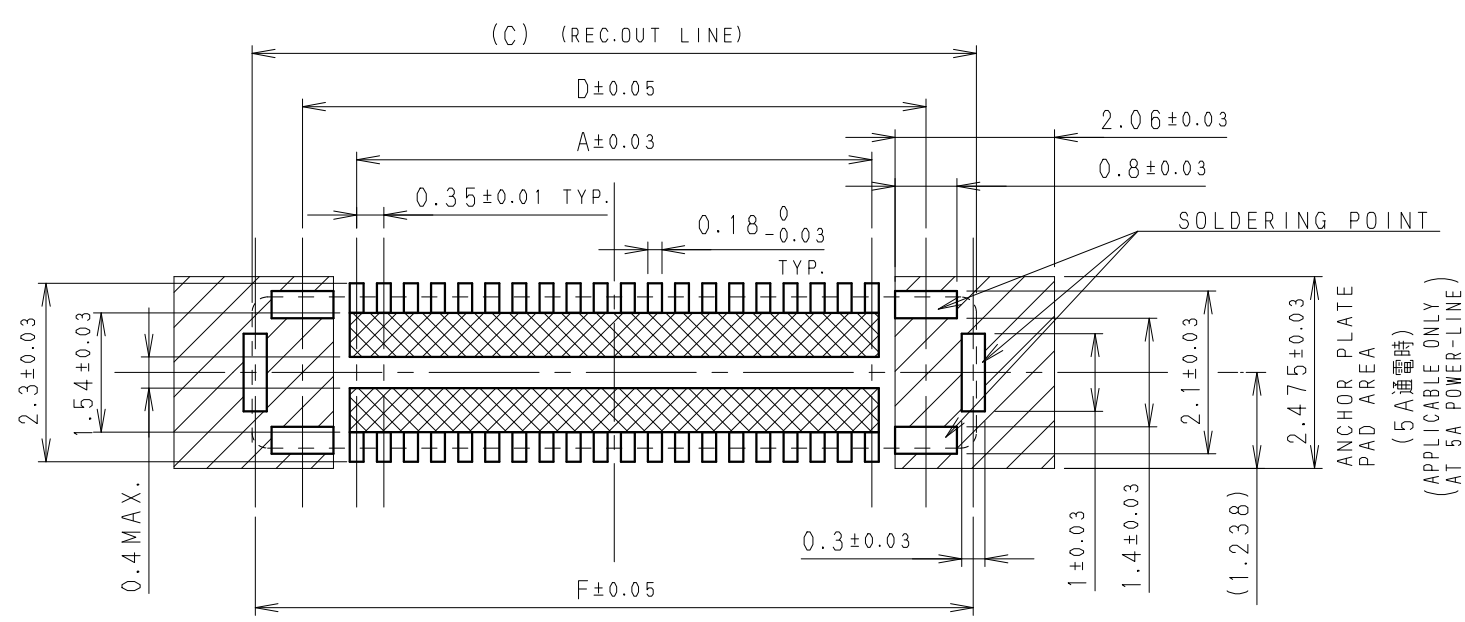
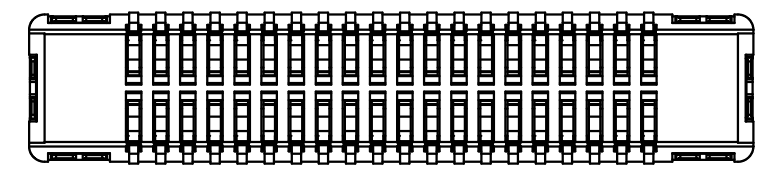
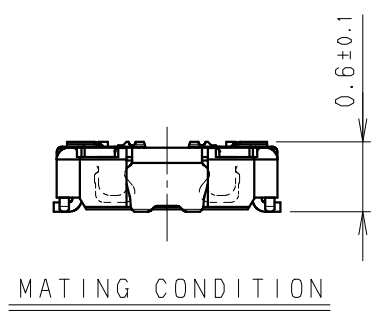
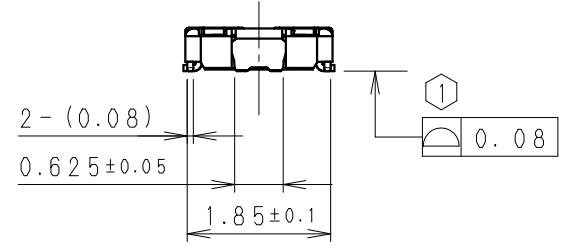
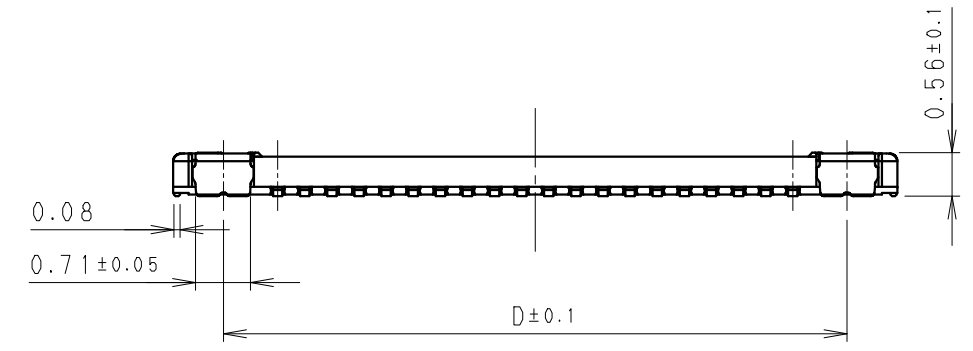
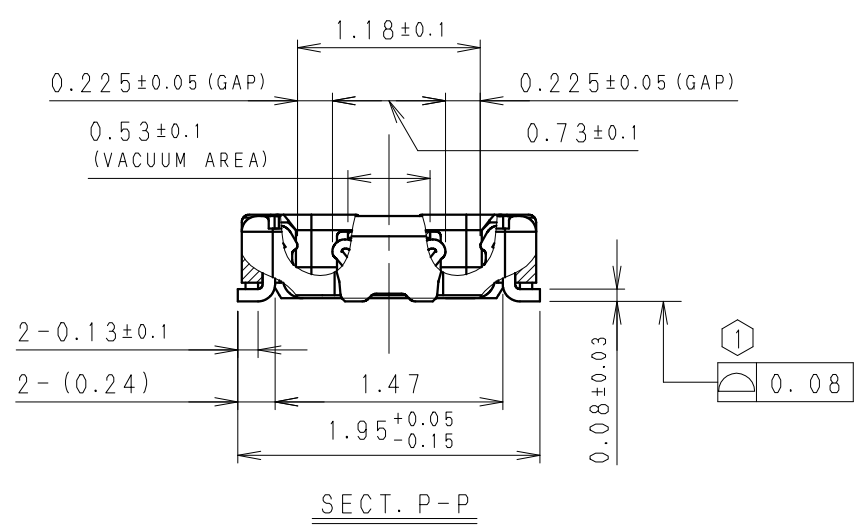
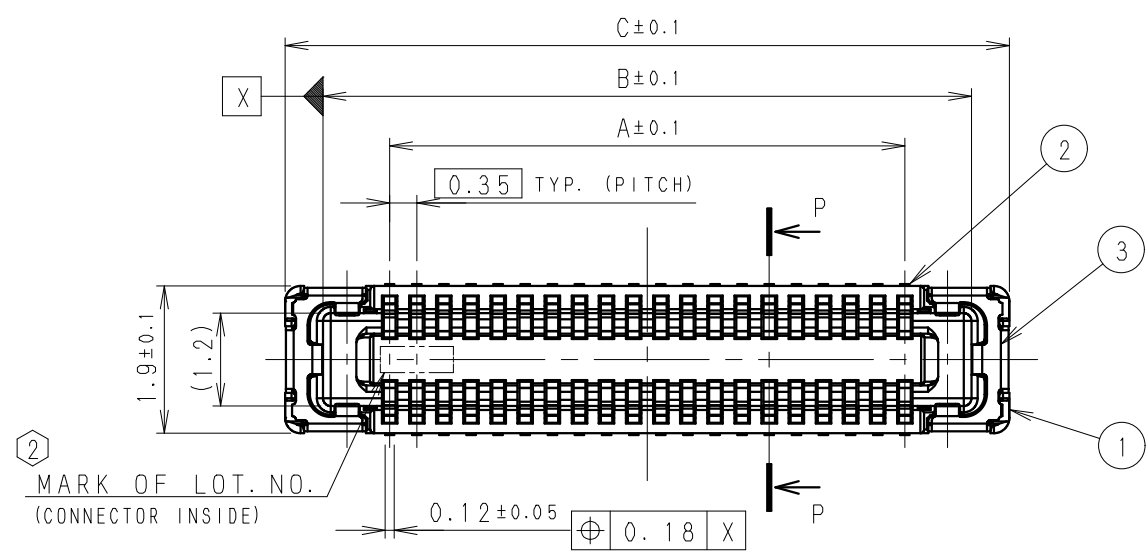
② 図示の位置にLOT NO. を刻印する。(レーザー)
 LOT NO. SHALL BE MARKED
 AT THE SPECIFIED POSITION. (LASER)

n S (6P) K n S (10P~18P)
 工場コード 工場コード
 製造週 製造週
 「K」表示(固定)

K 3 01 S (24P~)
 工場コード
 製造日 1, 2, ~29, 30, 31.
 製造月 1, 2, ~9, X, Y, Z.
 「K」表示(固定)

※この注記は1ページ目のみ適用
 ※THIS NOTES IS APPLICABLE TO SHEET-1 ONLY.

RoHS規制対応
 COMPLIANT WITH
 RoHS REGULATIONS

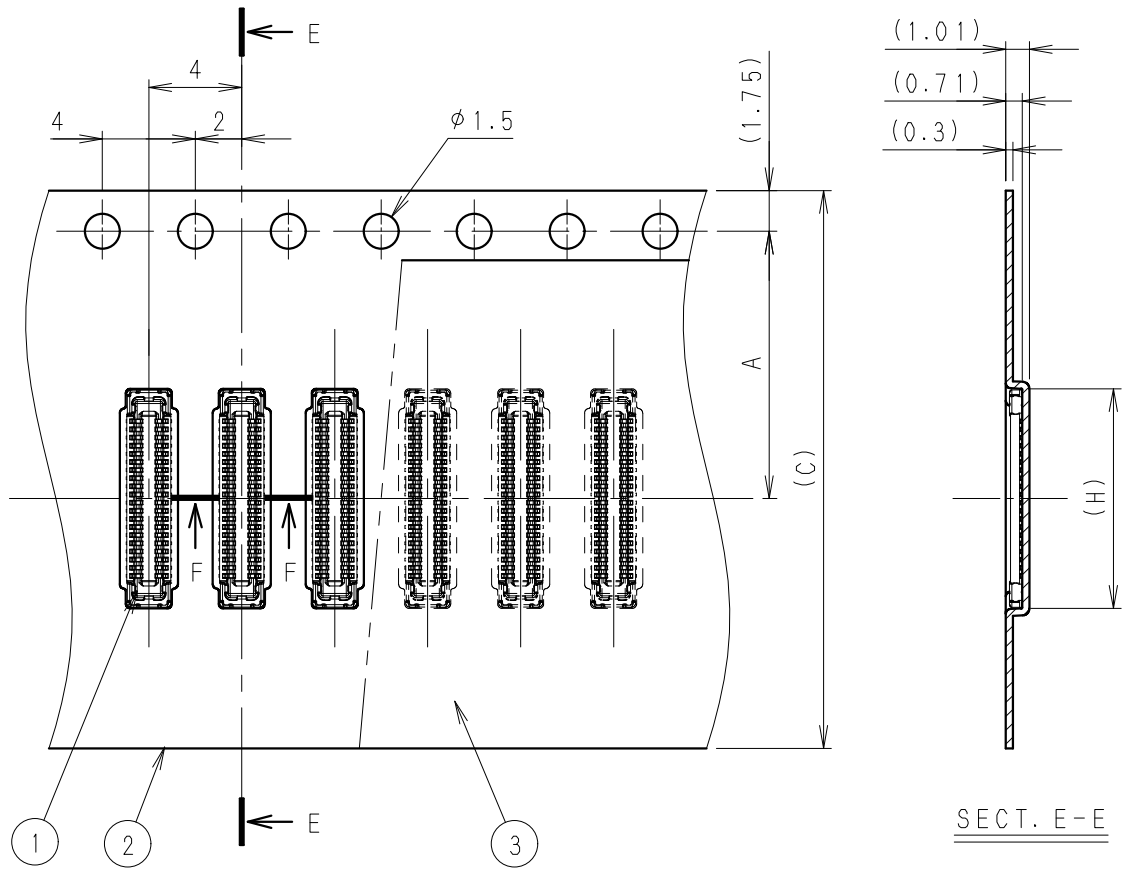


MOUNTING LAYOUT

☒ : 絶縁エリア
 INSULATION AREA

TOLERANCE / 一般公差 (S)		PRODUCT SPEC / 製品規格				
X < 10	±0.2	UNIT	ANGLE	0	EDN-030	2020/07/29
10 ≤ X < 30	±0.25	mm	3RD	NO.	EDN/DCN	DATE
30 ≤ X	±0.3	SCALE	DATE	ISSUE	CHECKED	APPROVED
ANGLE / 角度	±3°	NIS	2020/07/29	PART NAME / 品名		
				SERIES 5861 REC ASSY 0.35mm PITCH BOARD TO BOARD H=0.6		
DRAWN	DESIGNED	CHECKED	APPROVED	PART NO. / 型番		
YK. LIN	K. HIRATA	RS. CHEN	T. SATO	24 5861 XXX 004 829 + W		
DWG NO. / 図番				SHEET/REV		
BCS 5861002				1/2 0		

NO.	DESCRIPTION	PART NO.	QTY	MATERIAL	DRW NO.	REMARKS
1	CONNECTOR	24 5861 XXX 004 829 + W	15000			20 5861 XXX 004 829 + W
2	EMBOSSED TAPE		1	POLYSTYRENE		
3	TOP COVER TAPE		1	PET		
4	REEL		1	POLYSTYRENE		



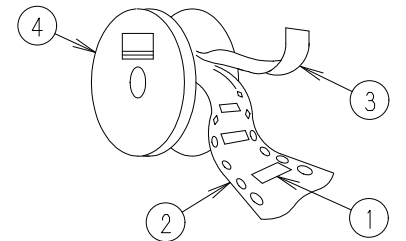
極数 NO. OF POS.	A	B	C	D	H
6	5.5	-	12.0	18.4	3.50
10	5.5	-	12.0	18.4	4.20
12	5.5	-	12.0	18.4	4.55
16	7.5	-	16.0	22.4	5.25
18	7.5	-	16.0	22.4	5.60
24	7.5	-	16.0	22.4	6.65
30	7.5	-	16.0	22.4	7.70
34	7.5	-	16.0	22.4	8.40
40	11.5	-	24.0	30.4	9.45
42	11.5	-	24.0	30.4	9.80
44	11.5	-	24.0	30.4	10.15
46	11.5	-	24.0	30.4	10.50
48	11.5	-	24.0	30.4	10.85
50	11.5	-	24.0	30.4	11.20
54	11.5	-	24.0	30.4	11.90
60	11.5	-	24.0	30.4	12.95

※この表は2ページ目のみ適用
 ※THIS CHART IS APPLICABLE TO SHEET-2 ONLY.

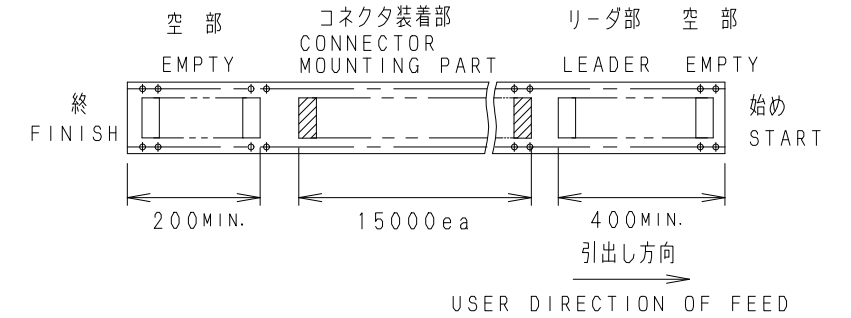
注記
NOTE

1. 梱包数量 : 15000 個/リール
 PACKING QUANTITY : 15000 ea/reel

2. 納入時のリール巻き方向
 REELING DIRECTION IN DELIVERY



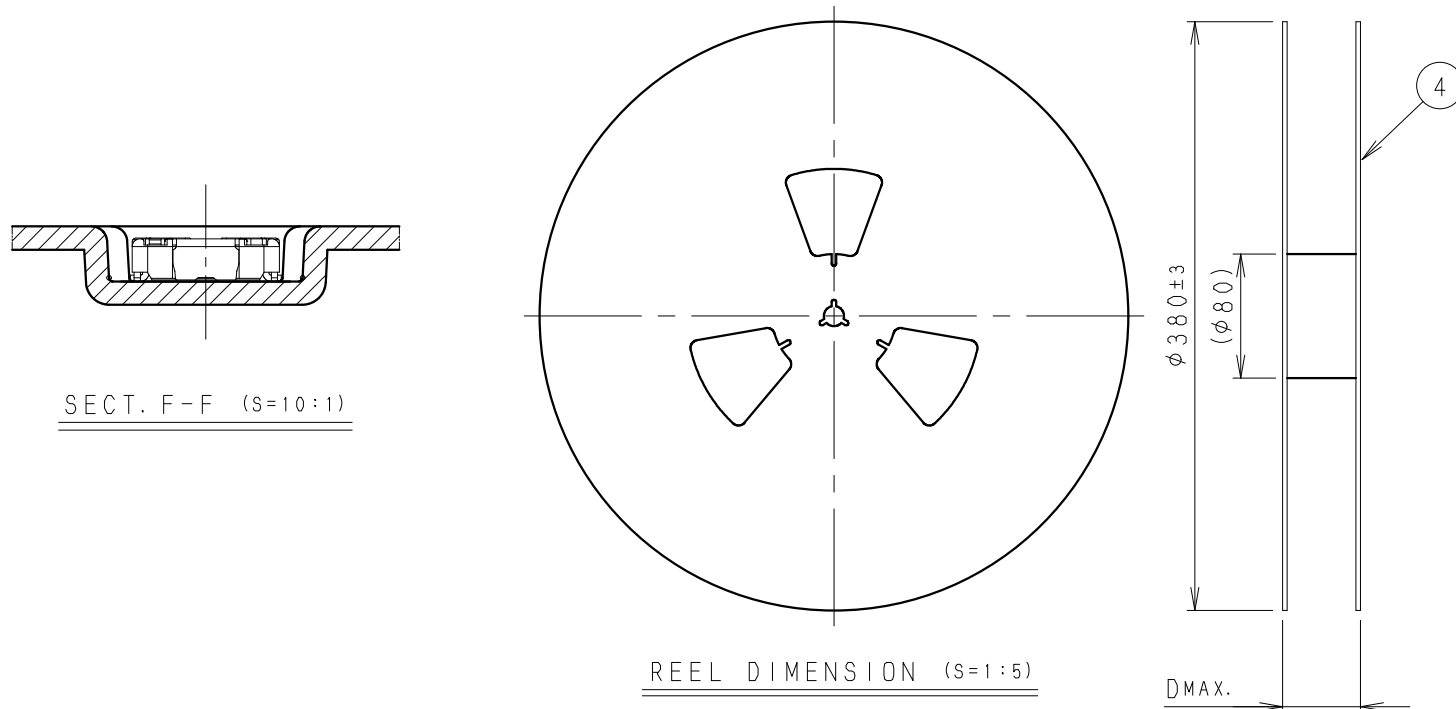
3. 引出し方向
 USER DIRECTION OF FEED



4. 型番 P/N 24 5861 XXX 004 829 + W
 極数 NO. OF POS.

※この注記の1~3は2ページ目のみ適用
 ※THIS NOTES 1 TO 3 ARE APPLICABLE TO SHEET-2 ONLY.

RoHS規制対応
 COMPLIANT WITH
 RoHS REGULATIONS



TOLERANCE / 一般公差 (S)		PRODUCT SPEC / 製品規格		REFER TO SHEET 1/2	
X < 10	±0.2	UNIT	ANGLE	NO.	EDN/DCN
10 ≤ X < 30	±0.25	mm	3RD	DATE	ISSUE
30 ≤ X	±0.3	SCALE	DATE	CHECKED	APPROVED
ANGLE / 角度	±3°	3 : 1	2020/07/29	PART NAME / 品名	
DRAWN	DESIGNED	CHECKED	APPROVED	SERIES 5861 REC EMBOSS TAPE ASSY SMT	
YK. LIN	K. HIRATA	RS. CHEN	T. SATO	0.35mm PITCH BOARD TO BOARD H=0.6 W=1.95	
DRAWN / 型番				PART NO. / 型番	
KYOCERA				24 5861 XXX 004 829 + W	
DWG NO. / 図番				SHEET/REV	
BCS 5861002				2/2 0	

X-ON Electronics

Largest Supplier of Electrical and Electronic Components

Click to view similar products for [Board to Board & Mezzanine Connectors](#) category:

Click to view products by [Kyocera AVX](#) manufacturer:

Other Similar products are found below :

[589158040000018](#) [MDF7C-18P-2.54DSA\(55\)](#) [FCN-268F036-G/BD](#) [FCN-268M012-G/0D](#) [FCN-268M024-G/1D](#) [MIS-048-01-F-D-DP-K](#)
[832-10-034-10-001000](#) [FX4C-80S-1.27DSA](#) [93696-330](#) [224393](#) [FCN-235D050-G/C](#) [210-93-314-41-105000](#) [MDF7-40DP-2.54DSA\(55\)](#)
[55323-1519](#) [069159702701000](#) [101A10019X](#) [105061100000861+](#) [75140-7012](#) [87471-650](#) [1744382-4](#) [063209](#) [10124054-515LF](#) [68685-603](#)
[8-1616154-3](#) [541371078](#) [IL-WX-10PB-HF-B-E1000E](#) [FX23-40P-0.5SV15B](#) [FCN-214J100-G/0](#) [354184](#) [P50-028-DDS-TG](#) [53309-2471](#)
[54546-2071](#) [1586617-1](#) [504248-1210](#) [504248-2010](#) [1-1437355-2](#) [9159005551906](#) [NDS100-004-BF](#) [93696-730LF](#) [91922-31141LF](#) [505274-](#)
[3440](#) [501493-2410](#) [504208-3410](#) [505006-0811](#) [505274-2040](#) [202436-1600](#) [202477-0414](#) [71660-7580](#) [73420-5192](#) [360-10-107-00-001000](#)