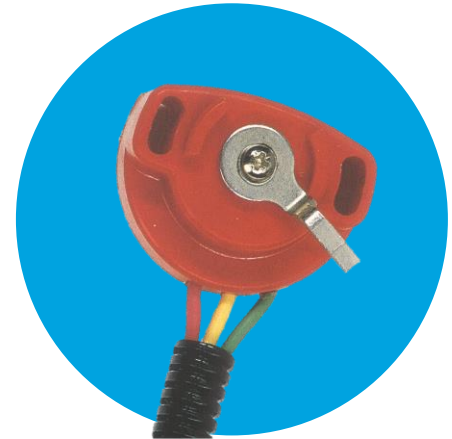
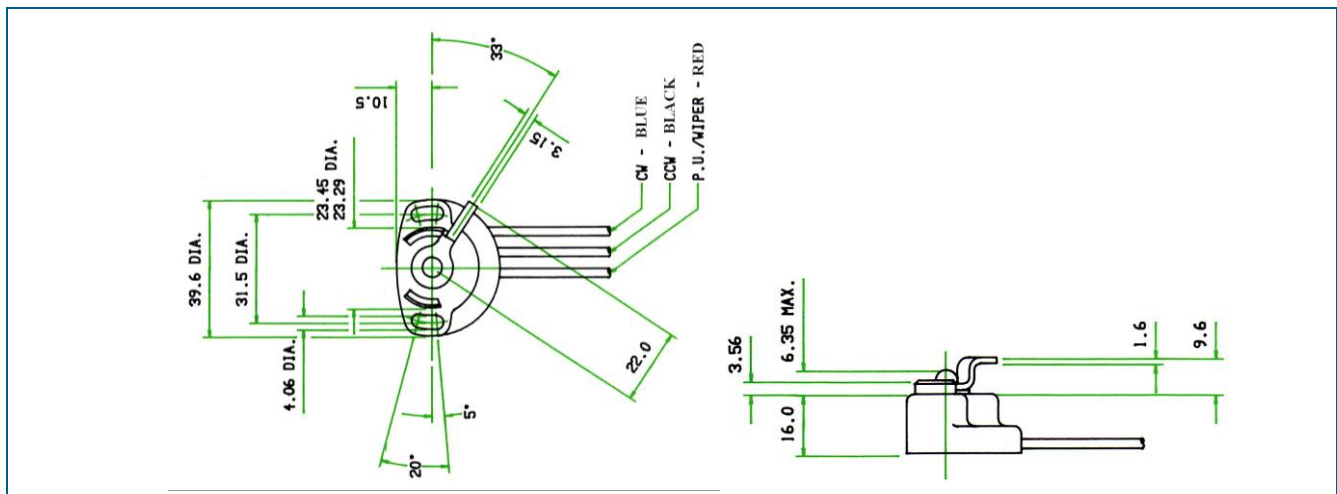


# Conductive Polymer Automotive potentiometer



## Carpot CP17/543 type

- High performance potentiometer
- Lever operation
- Spring return to zero
- Radial mounting slots
- Flying Leads
- Glass filled nylon housing



## Technical data

Standard resistance	4150 Ohms +/- 20%	Wiper protection resistor	42% of value
Hysteresis	< 0.3%	Output signal temperature coefficient	<25 ppm / 0°C
Angel of effective rotation	94° +/- 3°	Output smoothness	0.5%
Total mechanical rotation	125° +/- 5°	Independent linearity	+/- 2%
Operation temperature	-40°C to +130°C	Operational torque	10 mNm min. / 85 mNm max.
End stop torque	800 mNm maximum	Rotational life	5 x 10 <sup>6</sup> cycles

Conductive polymer potentiometer for automotive and other similar demanding applications. A high performance cost effective potentiometer, with long endurance life and protection from engine compartment environment. Termination via 280 mm long flying leads.

## X-ON Electronics

Largest Supplier of Electrical and Electronic Components

*Click to view similar products for [Potentiometers](#) category:*

*Click to view products by [Kyocera AVX](#) manufacturer:*

Other Similar products are found below :

[58C2-2](#) [590SX1N32F103SS](#) [591SXJ48S252SC](#) [591SXP56S252SC](#) [591SXP56S503SC](#) [D31409](#) [70B1G048K502X-A](#) [70B1M032S502W](#)  
[70B1N056S202W](#) [70B8N056F502W](#) [70J8N048S104U](#) [70L1N040P103W](#) [70L1N048P103X](#) [70L1N048S103W](#) [GA2L040S102UC](#)  
[GA2L040S103UC](#) [GS1G044P103UA](#) [GS1N048P103UA](#) [GS1T032S103UA](#) [A43-1500](#) [A43-20K](#) [A47-200K](#) [A4720K](#) [RA20LASD251A](#)  
[132-2-0-202](#) [132-0-0-202](#) [RK14K1220-F25-C0-A103](#) [RK14K1220F25C0C104](#) [RK14K1220-F25-C1-B103](#) [14910FAGJSX10102KA](#)  
[14910FBGLFY00103KA](#) [14910AABHSX10103KA](#) [14910FAGJSX10104KA](#) [152-01031](#) [C0342008 5K](#) [P270-109A](#) [J97589](#) [23M728](#)  
[248BBHS0XB25104MA](#) [RV170F-10-15R1-B500K-0021](#) [RV8NAYSB104A](#) [917523A](#) [A43-40](#) [A43-750](#) [A43S-5](#) [A47-15K](#) [A4750K](#)  
[SPPG048S103U](#) [SPPG056P103U](#) [SWE-10](#)