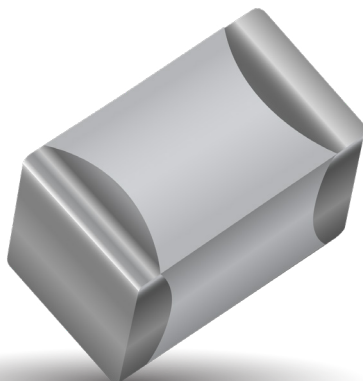


RF/Microwave Capacitors

RF/Microwave Multilayer Capacitors (MLC)

600F Ultra-Low ESR, High Q, NPO Capacitors



FEATURES

- Lowest ESR in Class
- Highest Working Voltage in Class - 250 V
- Standard EIA Size: 0805
- Laser Marking (Optional)
- High Self-Resonance Frequencies

AVX 600 SERIES OVERVIEW

| AVX Series | AVX Case Size | EIA Case Size |
|------------|---------------|---------------|
| 600 | L | 0402 |
| 600 | S | 0603 |
| 600 | F | 0805 |

APPLICATIONS

- Cellular Base Stations
- Broadband Wireless Services
- Satellite Communications
- Subscriber-based Wireless Devices
- WiFi (802.11)
- Public Safety Radio

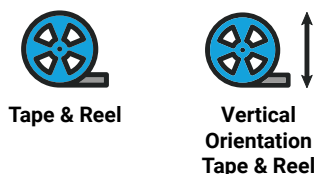
CIRCUIT APPLICATIONS

- Filter Networks
- High Q Frequency Sources
- Matching Networks
- Tuning, Coupling, Bypass and DC Blocking

ELECTRICAL SPECIFICATIONS

| | |
|--|---|
| Temperature Coefficient (TCC) | 0 ± 30 PPM/°C |
| Capacitance Range | 0.1 pF to 240 pF |
| Operating Temperature | -55°C to +125°C* |
| Quality Factor | Greater than 2,000 @ 1 MHz |
| Insulation Resistance (IR) | 10 ⁵ Megohms min. @ 25°C at rated WVDC 10 ⁴ Megohms min. @ 125°C at rated WVDC |
| Working Voltage (WVDC) | 200 V |
| Dielectric Withstanding Voltage (DWV) | 250% of rated WVDC for 5 seconds |
| Aging Effects | None |
| Piezoelectric Effects | None |

PACKAGING OPTIONS



ENVIRONMENTAL CHARACTERISTICS

| | |
|----------------------------|--|
| Thermal Shock | 5 Cycles, -55°C to 125°C |
| Moisture Resistance | Mil-STD-202, Method 106 |
| Life Test | 2000 hours at 125°C at 2X WVDC |
| Solderability | Solder Coverage > 90% of end termination |
| Terminal Strength | 4 lbs. typ., 2 lb. min. |
| Military Approval | DSCC Drawing Number 05001 |

RF/Microwave Capacitors

RF/Microwave Multilayer Capacitors (MLC)

600F Ultra-Low ESR, High Q, NPO Capacitors



CAPACITANCE VALUES

| Value (pF) | Cap Code | Marking | Tolerances | Value (pF) | Cap Code | Marking | Tolerances | Value (pF) | Cap Code | Marking | Tolerances |
|------------|----------|---------|------------|------------|----------|---------|---------------|------------|----------|---------|---------------|
| 0.1 | 0R1 | A9 | A, B | 3.3 | 3R3 | N0 | A, B, C, D | 30 | 300 | M1 | F, G, J, K, M |
| 0.2 | 0R2 | H9 | A, B | 3.6 | 3R6 | P0 | A, B, C, D | 33 | 330 | N1 | F, G, J, K, M |
| 0.3 | 0R3 | M9 | A, B, C | 3.9 | 3R9 | Q0 | A, B, C, D | 36 | 360 | P1 | F, G, J, K, M |
| 0.4 | 0R4 | d9 | A, B, C | 4.3 | 4R3 | R0 | A, B, C, D | 39 | 390 | Q1 | F, G, J, K, M |
| 0.5 | 0R5 | f9 | A, B, C | 4.7 | 4R7 | S0 | A, B, C, D | 43 | 430 | R1 | F, G, J, K, M |
| 0.6 | 0R6 | m9 | A, B, C | 5.1 | 5R1 | T0 | A, B, C, D | 47 | 470 | S1 | F, G, J, K, M |
| 0.7 | 0R7 | n9 | A, B, C | 5.6 | 5R6 | U0 | A, B, C, D | 51 | 510 | T1 | F, G, J, K, M |
| 0.8 | 0R8 | t9 | A, B, C | 6.2 | 6R2 | V0 | A, B, C, D | 56 | 560 | U1 | F, G, J, K, M |
| 0.9 | 0R9 | y9 | A, B, C | 6.8 | 6R8 | W0 | B, C, J, K | 62 | 620 | V1 | F, G, J, K, M |
| 1.0 | 1R0 | A0 | A, B, C, D | 7.5 | 7R5 | X0 | B, C, J, K | 68 | 680 | W1 | F, G, J, K, M |
| 1.1 | 1R1 | B0 | A, B, C, D | 8.2 | 8R2 | Y0 | B, C, J, K | 75 | 750 | X1 | F, G, J, K, M |
| 1.2 | 1R2 | C0 | A, B, C, D | 9.1 | 9R1 | Z0 | B, C, J, K | 82 | 820 | Y1 | F, G, J, K, M |
| 1.3 | 1R3 | D0 | A, B, C, D | 10 | 100 | A1 | F, G, J, K, M | 91 | 910 | Z1 | F, G, J, K, M |
| 1.5 | 1R5 | E0 | A, B, C, D | 11 | 110 | B1 | F, G, J, K, M | 100 | 101 | A2 | F, G, J, K, M |
| 1.6 | 1R6 | F0 | A, B, C, D | 12 | 120 | C1 | F, G, J, K, M | 110 | 111 | B2 | F, G, J, K, M |
| 1.8 | 1R8 | G0 | A, B, C, D | 15 | 150 | E1 | F, G, J, K, M | 120 | 121 | C2 | F, G, J, K, M |
| 2.0 | 2R0 | H0 | A, B, C, D | 18 | 180 | G1 | F, G, J, K, M | 150 | 151 | E2 | F, G, J, K, M |
| 2.2 | 2R2 | J0 | A, B, C, D | 20 | 200 | H1 | F, G, J, K, M | 180 | 181 | G2 | F, G, J, K, M |
| 2.4 | 2R4 | K0 | A, B, C, D | 22 | 220 | J1 | F, G, J, K, M | 200 | 201 | H2 | F, G, J, K, M |
| 2.7 | 2R7 | L0 | A, B, C, D | 24 | 240 | K1 | F, G, J, K, M | 220 | 221 | J2 | F, G, J, K, M |
| 3.0 | 3R0 | M0 | A, B, C, D | 27 | 270 | L1 | F, G, J, K, M | 240 | 241 | K2 | F, G, J, K, M |

HOW TO ORDER

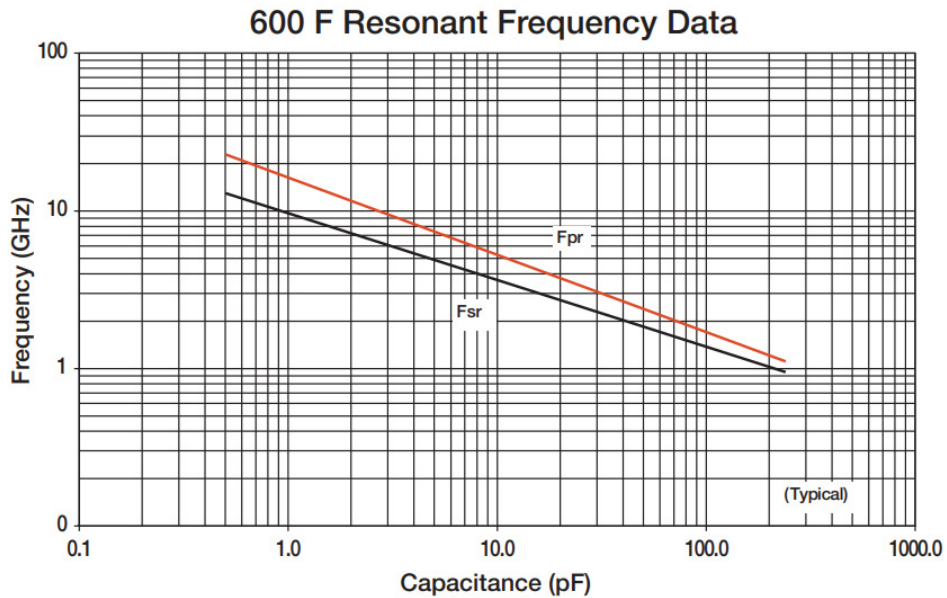
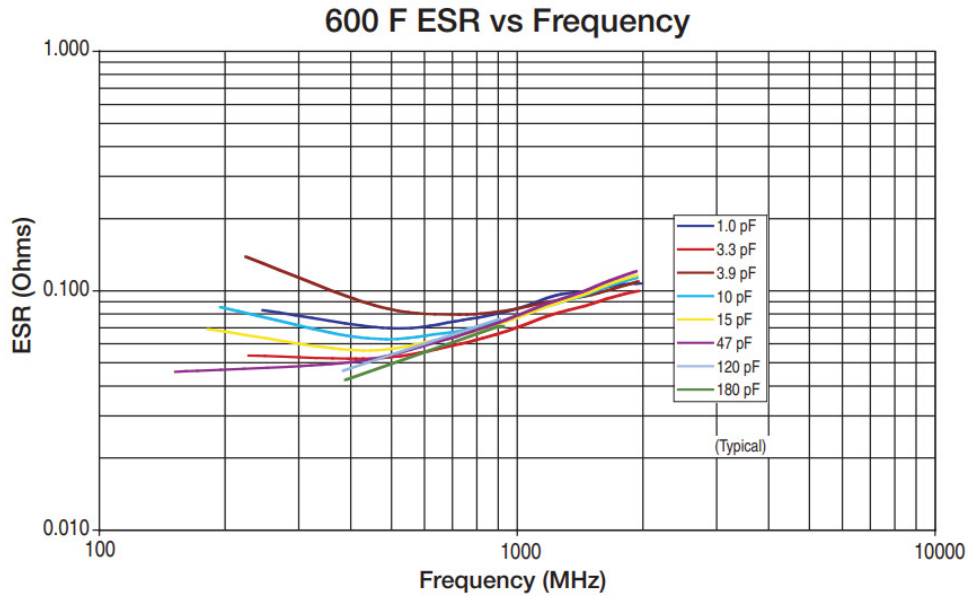
Series 600
Case Size F
 See mechanical dimensions below
Capacitance Code 100
 EIA Capacitance Code in pF.
 Third digit = number of zeros or after "R" significant figures
Capacitance Tolerance Code J

| Code | A | B | C | D | F | G | J | K | M |
|------|----------|---------|----------|---------|-----|-----|-----|------|------|
| Tol. | ±0.05 pF | ±0.1 pF | ±0.25 pF | ±0.5 pF | ±1% | ±2% | ±5% | ±10% | ±20% |

Termination Style Code T
 T = Tin Plated over Nickel Barrier (RoHS Compliant)
 TN = Tin Plated Non-Magnetic Barrier
 W = Tin/Lead Solder Nickel Barrier
Voltage Rating 250
Laser Marking (Optional) X**
Packaging T
 T = Tape and Reel, 500 pcs
 T4K = Tape and Reel, 4000 pcs
 TV = Vertical Tape and Reel, 500 pcs

**Laser Marking is optional

RF/Microwave Capacitors
RF/Microwave Multilayer Capacitors (MLC)
600F Ultra-Low ESR, High Q, NPO Capacitors



AVX 600F Series Data Sheet Condition Description

Capacitors horizontally mounted on 23.3-mil thick Rogers R0435[®] softboard 52-mils wide 1/2 oz. Cu traces
FSR = lowest frequency at which S11 response, referenced at capacitor edge, crosses real axis on Smith Chart.
FPR = lowest frequency at which there is a notch in S21 magnitude response.



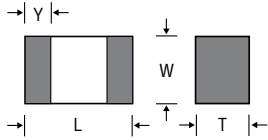
RF/Microwave Capacitors

RF/Microwave Multilayer Capacitors (MLC)

600F Ultra-Low ESR, High Q, NPO Capacitors



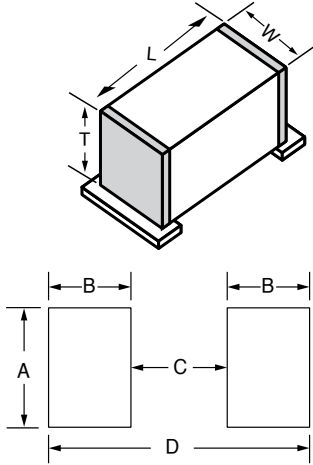
OUTLINE DIMENSIONS



| | | |
|-----------------|--------------------------------------|--------------------------------------|
| L (0805) | L: $.079 \pm .008$ (2.01 \pm 0.20) | T: .051 max (1.30 max) |
| | W: $.049 \pm .008$ (1.24 \pm 0.20) | Y: $.020 \pm 0.01$ (0.51 \pm 0.25) |

inches (mm)

SUGGESTED MOUNTING PAD DIMENSIONS



Case Size L, S, and F

| Case Size | A Min. | B Min. | C Min. | D Min. |
|--------------------|-----------------|-----------------|-----------------|-----------------|
| 0402 (1005) | .0275 (0.70) | .0354 (0.90) | .0157 (0.40) | .0866 (2.20) |
| 0603 (1608) | .0393 (1.00) | .0433 (1.10) | .0236 (0.60) | .110 (2.80) |
| 0805 (2012) | .0590 (1.50) | .0512 (1.30) | .0236 (0.60) | .1259 (3.20) |

inches (mm)

DESIGN KITS

| Kit # | RoHS Compliant | Item # | Description | Cap. Value Range (pF) | Cap. Value (pF) | Tol. (pF) | Price |
|---------|----------------|---------|--|-----------------------|---|-----------|----------|
| Kit 32T | | DK0032T | 600F Series Ultra-low ESR, High Q Microwave Capacitors 16 different values, 15 pcs. min. per value | 0.1 to 2.0 | 0.1, 0.2, 0.3, 0.4, 0.5, 0.6, 0.7, 0.8, 0.9, 1.0, 1.1, 1.2, 1.5 \pm 0.1% 1.6, 1.8, 2.0 \pm 0.25% | | \$100.00 |
| Kit 33T | | DK0033T | 600F Series Ultra-low ESR, High Q Microwave Capacitors 16 different values, 15 pcs. min. per value | 0.1 to 10 | 1.0, 1.2, 1.5, 1.8, 2.0, 2.2, 2.4, 2.7, 3.0, 3.3 \pm 0.1% 3.9, 4.7, 5.6, 6.8, 8.2 \pm 0.25% 10 \pm 5% | | \$100.00 |
| Kit 34T | | DK0034T | 600F Series Ultra-low ESR, High Q Microwave Capacitors 16 different values, 15 pcs. min. per value | 10 to 27 | 10, 12, 15, 18, 20, 22, 24, 27 \pm 5% | | \$100.00 |
| Kit 35T | | DK0035T | 600F Series Ultra-low ESR, High Q Microwave Capacitors 7 different values, 15 pcs. min. per value | 100 to 240 | 100, 120, 150, 180, 200, 220, 240 \pm 5 | | \$55.00 |

For Online Kit Orders, Catalog & Application Notes, Visit: www.avx.com

X-ON Electronics

Largest Supplier of Electrical and Electronic Components

Click to view similar products for [Silicon RF Capacitors / Thin Film category](#):

Click to view products by [Kyocera AVX manufacturer](#):

Other Similar products are found below :

[MA4M3050](#) [MA4M3100](#) [MA4M3010](#) [MV0204CA1R0MQAW](#) [MV0802CA150MAAW](#) [MV0804CA1R0MABW](#) [MV3204CA150MABW](#)
[02013J3R0ABSTR](#) [02015J1R2ABSTR](#) [04021JR05Z4STR\500](#) [400Z0R1AT100T](#) [400Z0R1PT100T](#) [400Z100FT16T](#) [400Z150FT16T](#)
[400Z170FT16T](#) [400Z180FT16T](#) [400Z1R8QT25T](#) [400Z2R0QT25T](#) [400Z2R4QT25T](#) [400Z3R0AT25T](#) [400Z4R7AT25T](#) [400Z5R6BT25T](#)
[400Z8R2BT16T](#) [04023J4R6ABSTR](#) [02013J1R8PBSTR](#) [02015J0R9PBSTR](#) [02015J1R0PBSTR](#) [0201ZK8R2BBWTR](#) [04021JR65PBSTR](#)
[04021J0R4ZBSTR\500](#) [04023J0R6PBSTR\500](#) [04021J1R4PBSTR\500](#) [02011JR25ZBSTR\500](#) [02015J1R5PBSTR\500](#)
[04025J2R2QBWTR\500](#) [06035J2R2QBSTR](#) [06033J6R8BBSTR](#) [04023J5R6ABSTR](#) [100B300GT500XT](#) [100B1R0CT500XT](#)
[02015J2R0PBSTR\500](#) [100B470GT500XT](#) [700B271JT200XT](#) [100B5R1DT500XT](#) [100B0R6DT500XT](#) [100B160FT500XT](#)
[100B3R3DT500XT](#) [100B180FT500XT](#) [100B2R0DT500XT](#) [04021J0R8P4STR\500](#)