

# POKE-HOME: SINGLE VERTICAL CONTACT

## 18-24 AWG: 70-9296



### General Information



KYOCERA AVX continues to develop innovative connectors for the industrial electronics market that provide significant benefits over existing, outdated connector solutions. The latest release is single vertical Wire-to-Board (WTB) contacts that provide cost effective, yet robust discrete wire termination without the expense of an insulator and assembly costs. This new family of top and bottom entry contacts compliments the existing vertical poke home connectors already on the market, providing a lower cost solution without jeopardizing performance.

The new contacts support both solid and stranded wires ranging from 24AWG down to 18AWG and current ratings as high as 12 amps. The set of four contacts provide both top and bottom entry for FR4 and metal core printed circuit boards.

#### APPLICATIONS

- Machine Controls: motors, drives, solenoids, sensors, fans and pumps
- Commercial Buildings: controls, security, fire and sensors
- Smart Grid: meters, breakers and panels
- SSL/LED; bulbs, fixtures, signage and streetlights

#### FEATURES AND BENEFITS

- Dual Beam contact provides maximum mechanical stability and wire retention
- Tape and reel packaged for automated SMT placement
- Staged current rating based on AWG, maximum is 12A (18AWG)
- Increased functionality with the single contact placement: multiple contacts and/or specific individual locations

#### ELECTRICAL

- Voltage Rating: 300V  
Based on placement distance
- Current Rating: See matrix below

#### ENVIRONMENTAL

- Operating Temperature:  
-40°C to +125°C

#### MECHANICAL

- Contact Material: Phosphor Bronze
- Contact Plating: Pure Tin
- Durability: 5 Cycles

#### HOW TO ORDER

**00**  
Prefix  
70 = Contact

**9296**  
Series

**001**  
Number of Ways  
001 = 1

**1X3**  
Contact Style

**006**  
Plating Options  
006 = Pure Tin All Over

Code	Contact Location	Wire Insertion Direction	Recommended For Board Type	Wire Gauges
103	Top Side	Bottom Entry	FR4	18 - 24 AWG
113	Through Board	Top Entry	FR4	18 - 24 AWG
123	Top Side	Bottom Entry	Metal Clad	18 - 24 AWG
133	Through Board	Top Entry	Metal Clad	18 - 24 AWG



#### CURRENT RATING

18AWG	20AWG	22AWG	24AWG
15A	14A	10A	9A

Certification: UL File #E90723

# POKE-HOME: SINGLE VERTICAL CONTACT

## 18-24 AWG: 70-9296

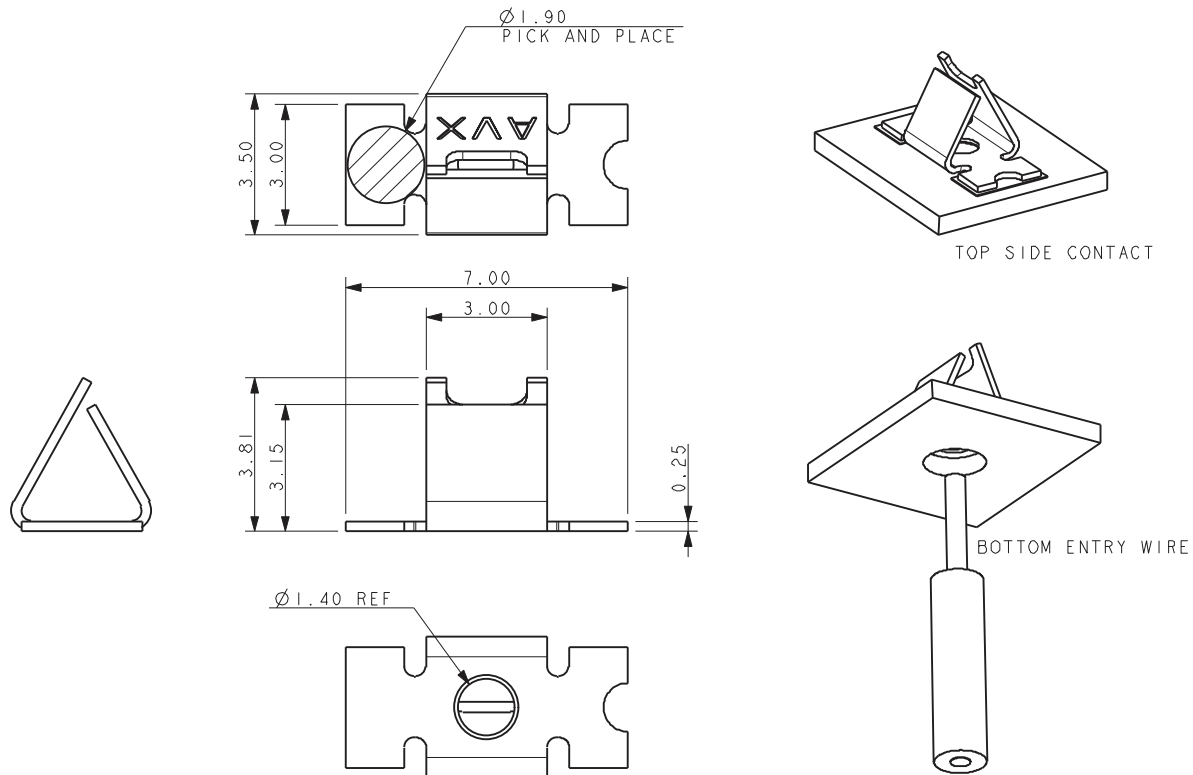


Top Side Contact - Bottom Entry Wire (FR4 Board)

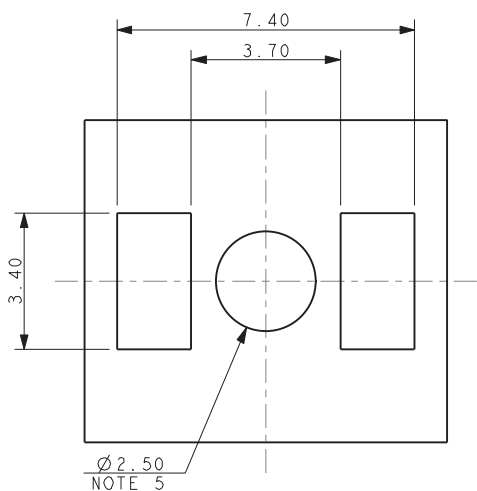
70-9296-001-103-006

9296 VERTICAL MOUNT SMT CONTACT

TOP SIDE CONTACT – BOTTOM ENTRY WIRE (FR4 BOARD)



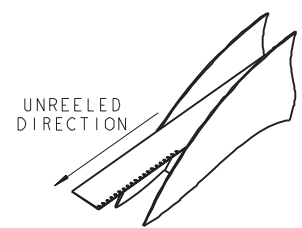
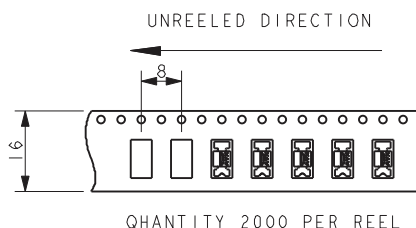
### SUGGESTED PCB LAYOUT



### NOTES:

- CONTACT MOUNTS ON TOP SIDE OF BOARD, WIRE INSERTED FROM UNDERSIDE OF BOARD.
- STYLE RECOMMENDED FOR FR4 BOARDS WHERE MINIMUM CLEARANCE REQUIRED TO CONTACT AND MOUNTING PADS.
- FOR FURTHER INFORMATION REFER TO ELCO SPECIFICATION 201-01-161 AND APPLICATION NOTES 201-01-175.
- MATERIAL: TIN PLATED PHOSPHOR BRONZE.
- HOLE FOR WIRE INSERTION.
- PACING IN TAPE AND REEL, 2000 PIECES PER REEL.
- FOR WIRE TRIM DETAILS REFER TO PAGE 115.
- UL REFERENCE E90723.
- GENERAL TOLERANCE  $\pm 0.10$ .

### PACKING DETAILS



330mm DIAMETER REEL



The Important Information/Disclaimer is incorporated in the catalog where these specifications came from or available online at [www.avx.com/disclaimer/](http://www.avx.com/disclaimer/) by reference and should be reviewed in full before placing any order.

090721

# POKE-HOME: SINGLE VERTICAL CONTACT

## 18-24 AWG: 70-9296

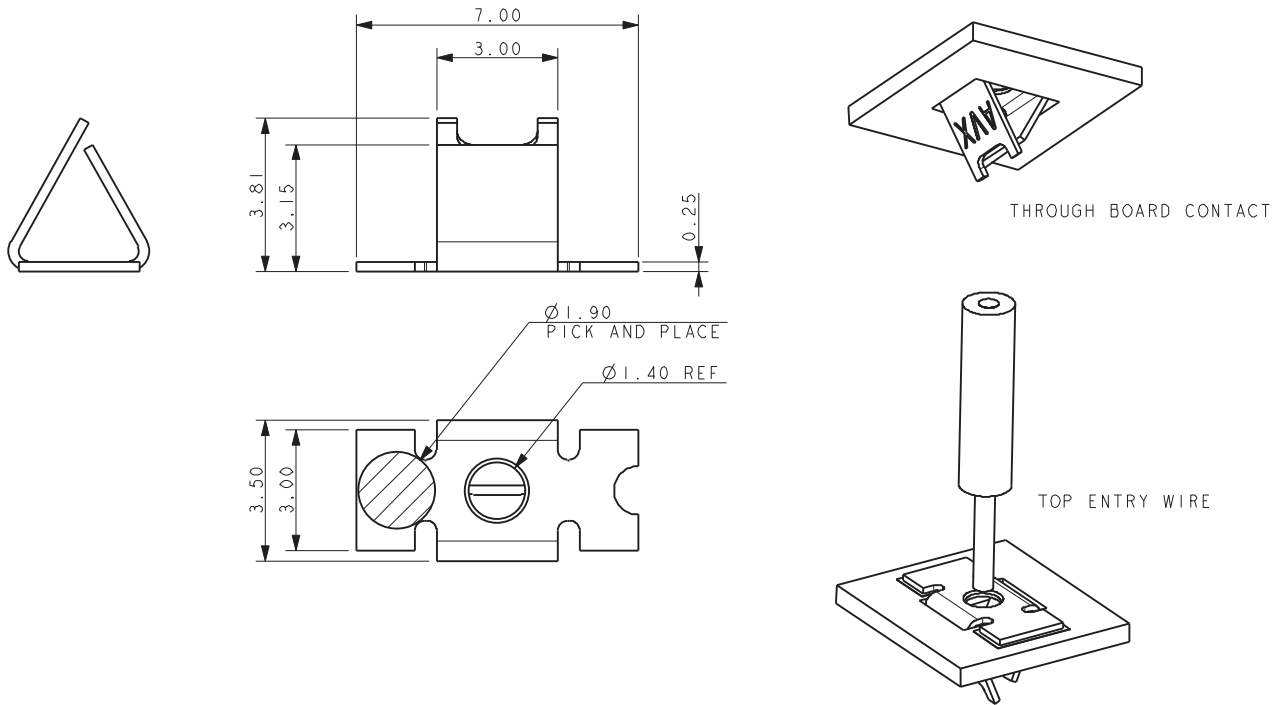


Through Board Contact - Top Entry Wire (FR4 Board)

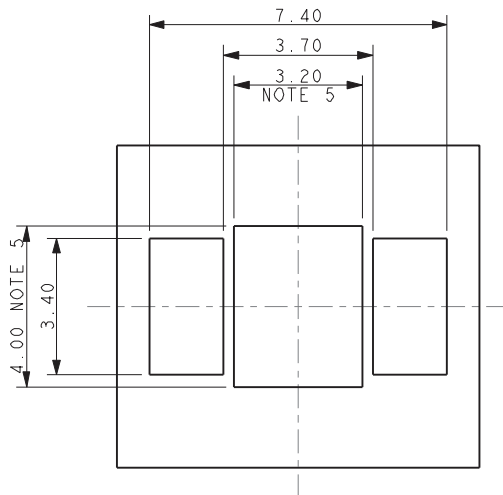
70-9296-001-113-006

9296 VERTICAL MOUNT SMT CONTACT

THROUGH BOARD CONTACT – TOP ENTRY WIRE (FR4 BOARD)



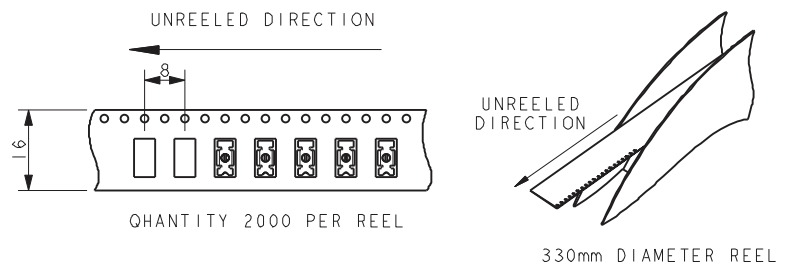
### SUGGESTED PCB LAYOUT



### NOTES:

1. CONTACT MOUNTS THROUGH THE BOARD, WIRE INSERTED FROM TOP SIDE
2. OF BOARD.
3. STYLE RECOMMENDED FOR FR4 BOARDS WHERE MINIMUM CLEARANCE REQUIRED TO CONTACT AND MOUNTING PADS.
4. FOR FURTHER INFORMATION REFER TO ELCO SPECIFICATION 201-01-161 AND APPLICATION NOTES 201-01-175.
5. MATERIAL: TIN PLATED PHOSPHOR BRONZE.
6. HOLE DIMENSIONS FOR CONTACT.
7. PACING IN TAPE AND REEL, 2000 PIECES PER REEL.
8. FOR WIRE TRIM DETAILS REFER TO PAGE 115.
9. UL REFERENCE E90723.
10. GENERAL TOLERANCE  $\pm 0.10$ .

### PACKING DETAILS



# POKE-HOME: SINGLE VERTICAL CONTACT

## 18-24 AWG: 70-9296

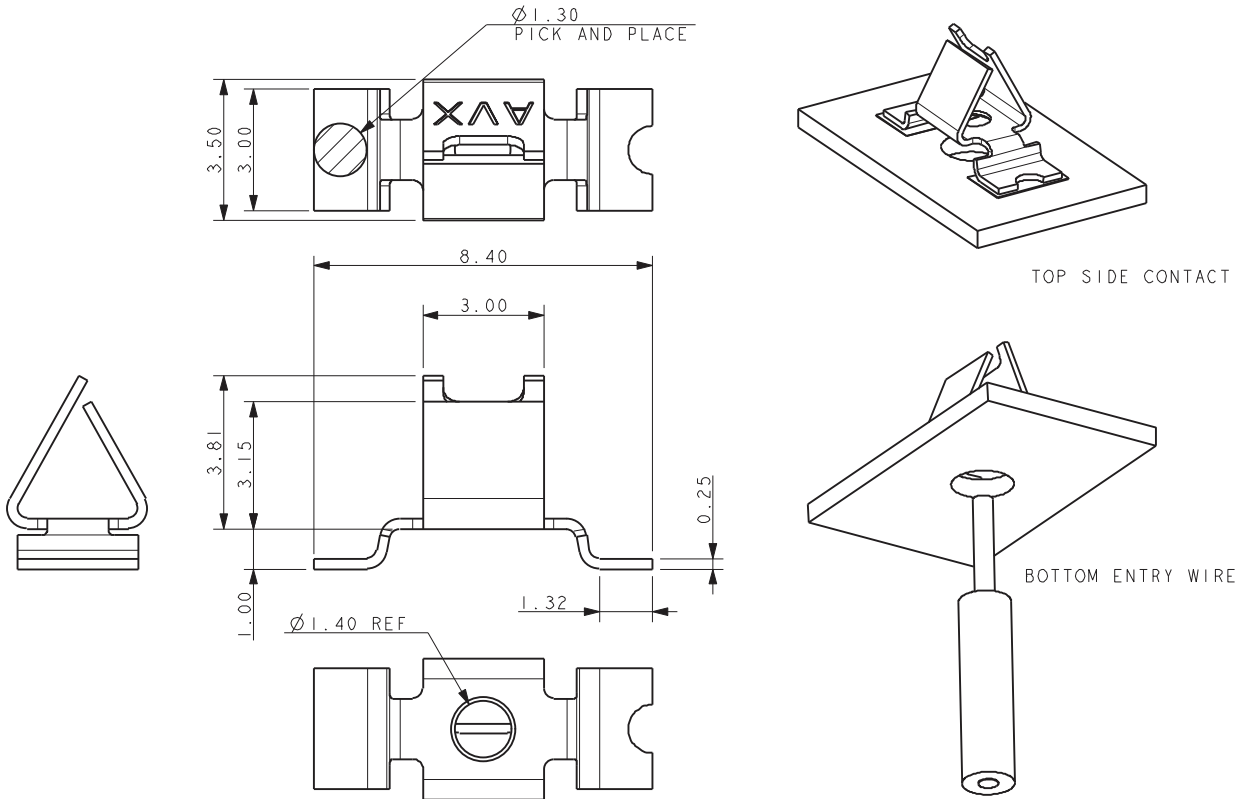


Top Side Contact - Bottom Entry Wire (Metal Board)

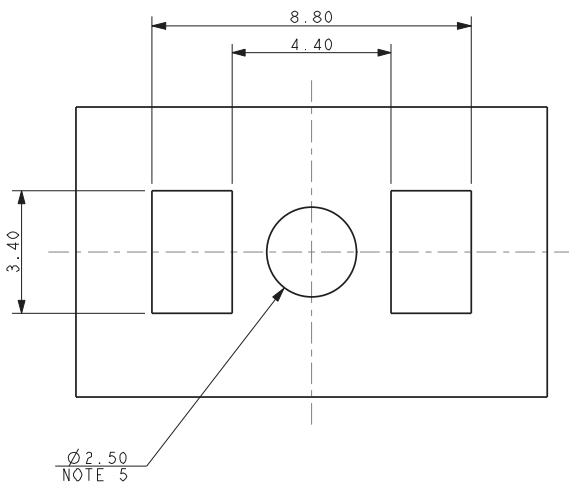
70-9296-001-123-006

9296 VERTICAL MOUNT SMT CONTACT

TOP SIDE CONTACT – BOTTOM ENTRY WIRE (METAL BOARD)



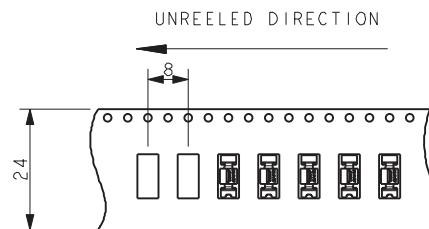
### SUGGESTED PCB LAYOUT



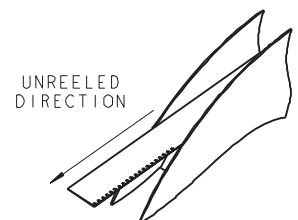
### NOTES:

- CONTACT MOUNTS ON TOP SIDE OF BOARD, WIRE INSERTED FROM UNDERSIDE OF BOARD.
- STYLE RECOMMENDED FOR METAL CLAD BOARDS WHERE MAXIMUM CLEARANCE REQUIRED TO CONTACT AND MOUNTING PADS.
- FOR FURTHER INFORMATION REFER TO ELCO SPECIFICATION 201-01-161 AND APPLICATION NOTES 201-01-175.
- MATERIAL: TIN PLATED PHOSPHOR BRONZE.
- HOLE FOR WIRE INSERTION.
- PACING IN TAPE AND REEL, 1600 PIECES PER REEL.
- FOR WIRE TRIM DETAILS REFER TO PAGE 115.
- UL REFERENCE E90723.
- GENERAL TOLERANCE  $\pm 0.10$ .

### PACKING DETAILS



QUANTITY 1600 PER REEL



330mm DIAMETER REEL

# POKE-HOME: SINGLE VERTICAL CONTACT

## 18-24 AWG: 70-9296

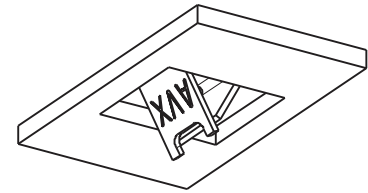
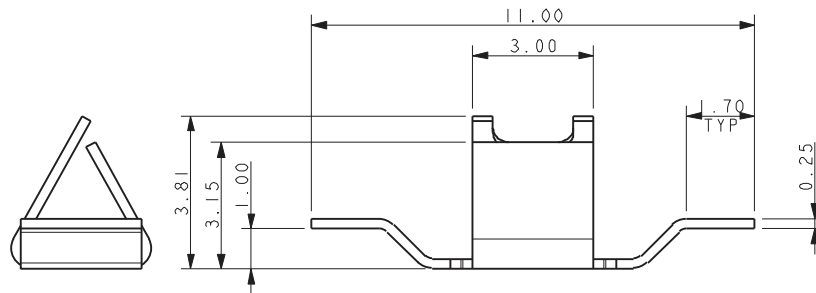


Through Board Contact - Top Entry Wire (Metal Board)

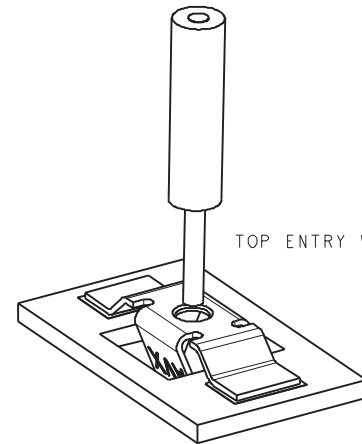
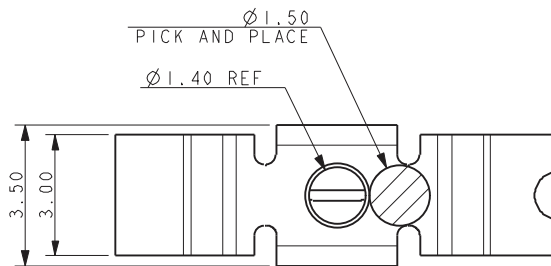
70-9296-001-133-006

9296 VERTICAL MOUNT SMT CONTACT

THROUGH BOARD CONTACT – TOP ENTRY WIRE (METAL BOARD)

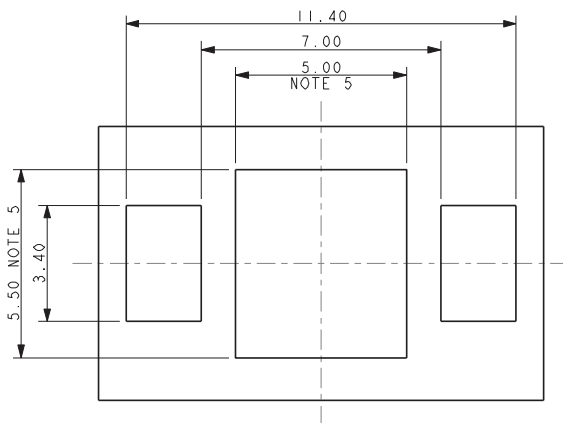


THROUGH BOARD CONTACT



TOP ENTRY WIRE

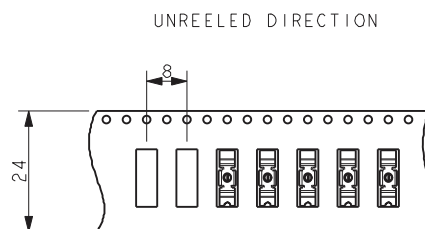
### SUGGESTED PCB LAYOUT



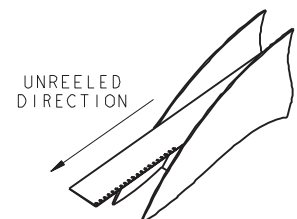
### NOTES:

- CONTACT MOUNTS THROUGH THE BOARD, WIRE INSERTED FROM TOP SIDE OF BOARD.
- STYLE RECOMMENDED FOR METAL CLAD BOARDS WHERE ADDITIONAL CLEARANCE REQUIRED TO CONTACT AND MOUNTING PADS.
- FOR FURTHER INFORMATION REFER TO ELCO SPECIFICATION 201-01-161 AND APPLICATION NOTES 201-01-175.
- MATERIAL: TIN PLATED PHOSPHOR BRONZE.
- HOLE DIMENSIONS FOR CONTACT.
- PACING IN TAPE AND REEL, 2000 PIECES PER REEL.
- FOR WIRE TRIM DETAILS REFER TO PAGE 115.
- UL REFERENCE E90723.
- GENERAL TOLERANCE  $\pm 0.10$ .

### PACKING DETAILS



QUANTITY 2000 PER REEL



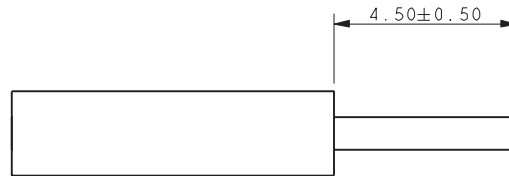
330mm DIAMETER REEL

# POKE-HOME: SINGLE VERTICAL CONTACT

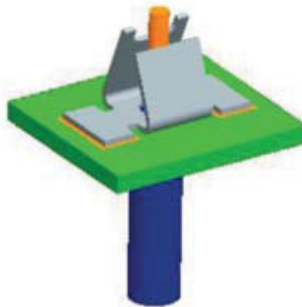
## 18-24 AWG: 70-9296

### Wire Trim Details

#### 9296 VERTICAL MOUNT SMT CONTACT WIRE TRIM DETAILS



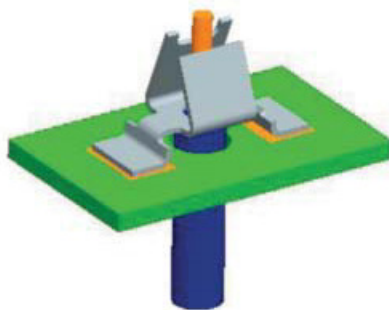
WIRE STRIP LENGTH, ALL STYLES



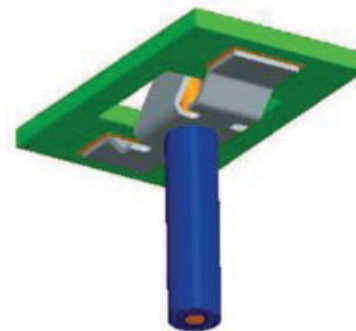
70-9296-001-103-006



70-9296-001-113-006



70-9296-001-123-006



70-9296-001-133-006

#### NOTES:

1. FOR FULL ASSEMBLY PROCEDURE REFER TO APPLICATION NOTES 201-01-175.
2. THE SAME WIRE STRIP LENGTH APPLIES TO ALL STYLES.
3. STRANDED WIRES SHOULD BE TWISTED TO PREVENT SINGLE STRANDS BECOMING DETACHED WHEN INSERTED INTO CONTACT.

## X-ON Electronics

Largest Supplier of Electrical and Electronic Components

*Click to view similar products for [Terminals category](#):*

*Click to view products by [Kyocera AVX manufacturer](#):*

Other Similar products are found below :

[00-054007-01074-6](#) [00-054007-70206-1](#) [00-054007-70210-8](#) [00-054007-70217-7](#) [00-054007-70226-9](#) [00-054007-70228-3](#) [00-054007-70248-1](#) [00-054007-70256-6](#) [00-054007-70301-3](#) [00-054007-70316-7](#) [0-0320562-0](#) [00-054007-49560-4](#) [00-054007-70209-2](#) [00-054007-70225-2](#) [00-054007-70227-6](#) [00-054007-70231-3](#) [00-054007-70241-2](#) [00-054007-70242-9](#) [00-054007-70244-3](#) [00-054007-70246-7](#) [00-054007-70263-4](#) [00-054007-70288-7](#) [00-054007-70290-0](#) [00-054007-70300-6](#) [00-054007-70304-4](#) [01-2065-1-0216](#) [01-2900-1-04412](#) [00581P0075](#) [600TS-10](#) [60205-1](#) [604200-1](#) [605601-1](#) [60598-1-CUT-TAPE](#) [61314-6-C](#) [61810-3](#) [61-S](#) [61-SN](#) [626-0194](#) [62-NBM-A](#) [62-SN](#) [62-SP](#) [63-S](#) [640179-1](#) [M55155/059I03](#) [M55155/079C01](#) [M55155/099H02](#) [M55155/109H01](#) [M55155/109H02](#) [M55155/12XH05](#) [M55155/16XH02](#)