

Part No. 9000046-XLPDNB

External ISM Antenna

868-915 MHz

Supports: IoT, SigFox, LoRa, Cellular LPWA, RPMA, Tracking, Smart Metering, Smart Home, Healthcare, Digital Signage



External European ISM Antenna

868-915 MHz

Ethertronics family of external antennas are designed to offer the best performances for a wide range of applications. This sleek external antenna covers ISM bands 868 and 915 MHz and specifically provides compelling advantages for ISM enabled handheld devices, media players and other mobile devices.

Global Operations & Design Support

Ethertronics' global operations supports an integrated network of design centers that can take projects from concept to production.

Electrical Specifications

Typical Characteristics on circular 120 mm diameter ground plane

| Frequency | 868-915 MHz |
|--------------|-------------|
| VSWR | < 2.3:1 |
| Efficiency | 70% |
| Peak Gain | 0.9 dBi |
| Impedance | 50 Ω |
| Polarization | Vertical |

KEY BENEFITS

Reduced Costs and Time-to-Market

Standard antenna eliminates design fees and cycle time associated with a custom solution; getting products to market faster.

Greater Flexibility with Unique Form Factors

Ethertronics' technology helps you deliver more advanced ergonomic designs without adverse impact on product performance.

RoHS Compliant

Products are the latest RoHS version compliant.

APPLICATIONS

- Medical applications
- Home automation
- Smart metering
- M2M, Industrial devices
- Point of Sale
- Tracking
- Commercial/Communication
- Radar
- Wireless Monitoring
- Industrial
- Automotive
- Healthcare
- IoT

Mechanical Specifications & Ordering Part Number

| Ordering Part Number | 9000046-XLPDNB |
|----------------------------|--|
| Size (mm) | 101.0 ± 3.0 height 11.16 ± 1.0 diameter |
| Connector Type | SMA Male |
| Weight (grams) | 6 |
| Color | Black |
| Operating Temperature (°C) | -40 to +120 |

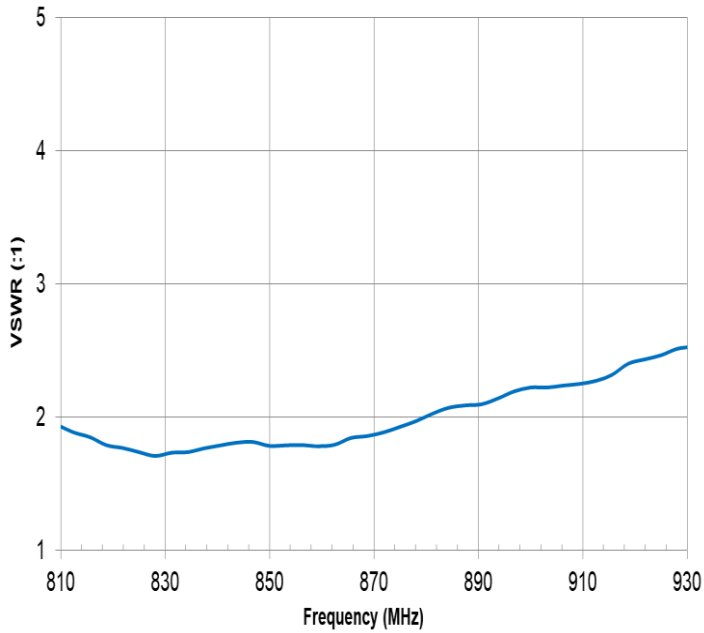


External ISM Antenna Specifications
Ethertronics produces a wide variety of standard and custom antennas to meet user needs.

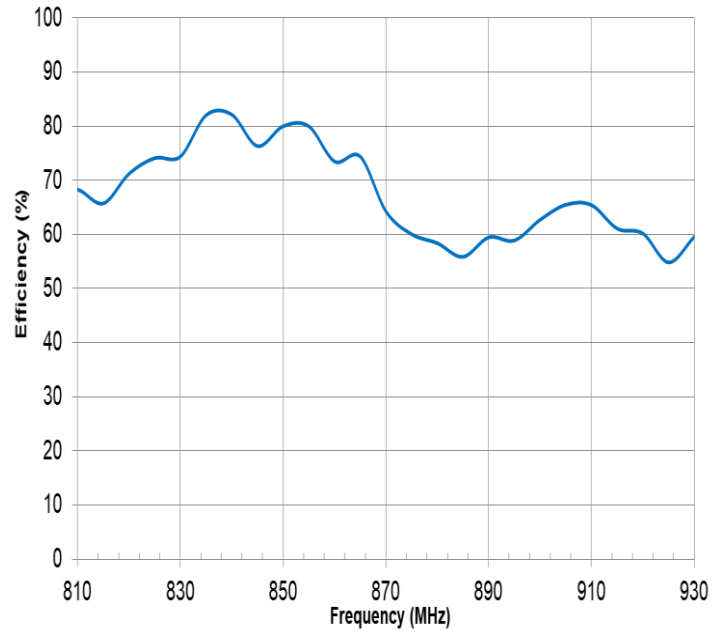
VSWR, Efficiency, and Peak Gain Plots

Typical Characteristics on circular 120 mm diameter ground plane

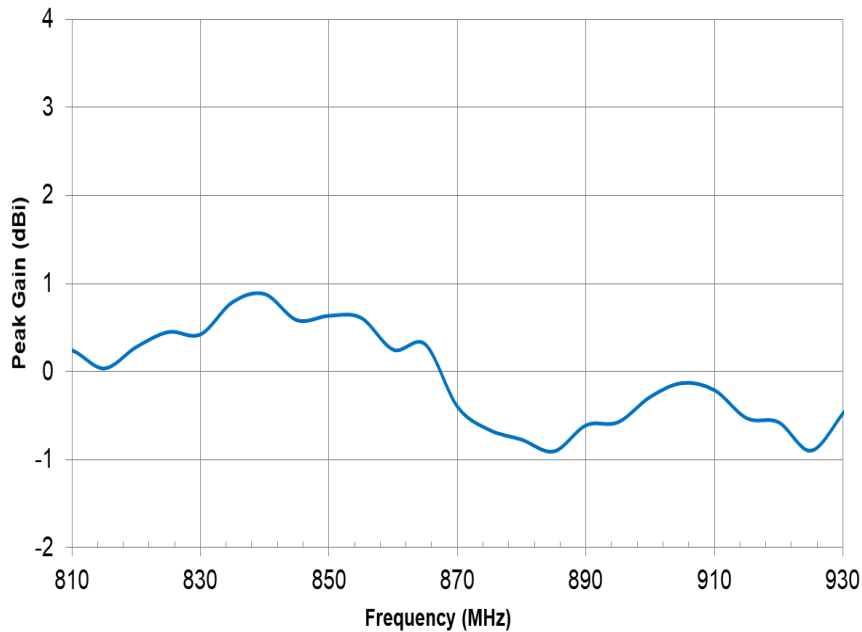
VSWR



Efficiency



Peak Gain



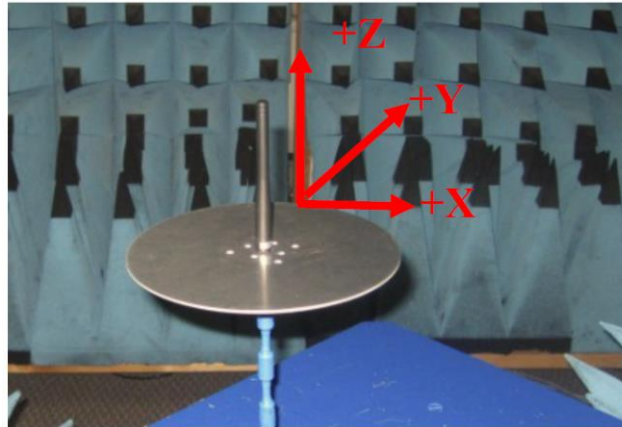


External ISM Antenna Specifications

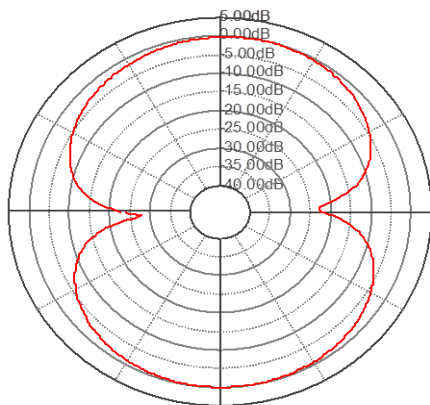
Ethertronics produces a wide variety of standard and custom antennas to meet user needs.

Antenna Radiation Patterns

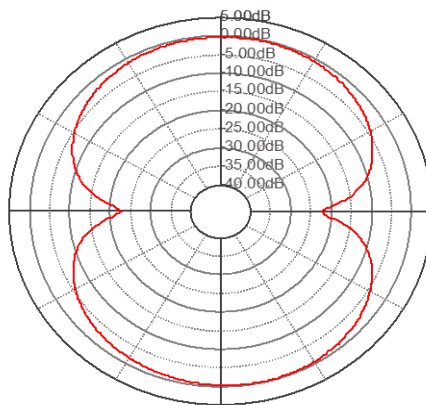
Typical Characteristics on circular 120 mm diameter ground plane



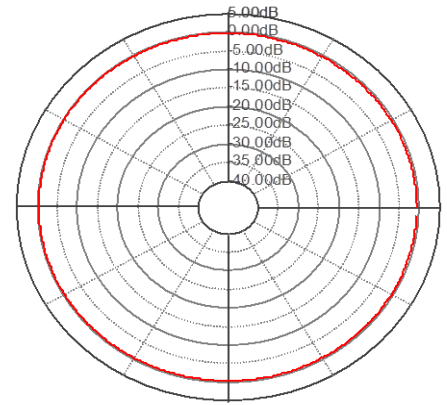
Measured at 868 MHz



Phi = 0deg



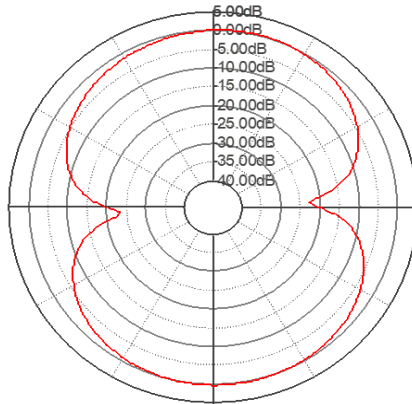
Phi = 90deg



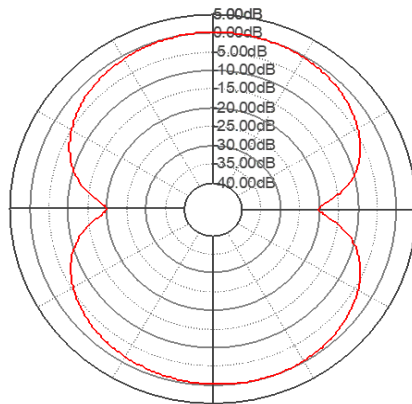
Theta = 90deg



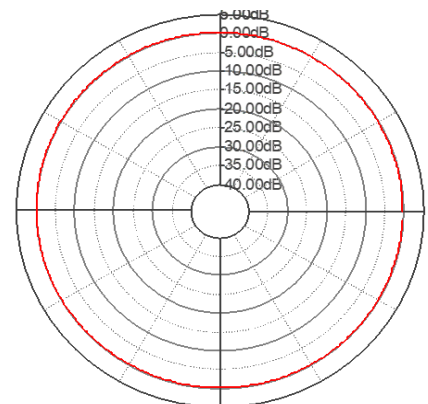
Measured at 915 MHz



Phi = 0deg



Phi = 90deg



Theta = 90deg





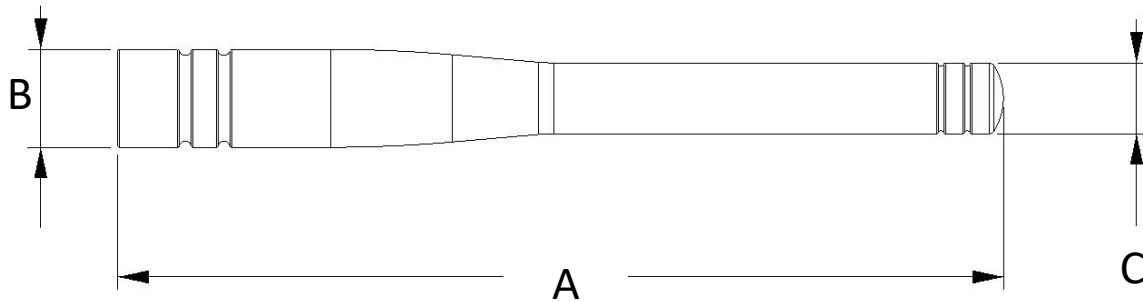
External ISM Antenna Specifications

Ethertronics produces a wide variety of standard and custom antennas to meet user needs.

Mechanical Dimensions

Typical antenna dimensions (mm)

| Part Number | A (mm) | B (mm) | C (mm) | Connector |
|----------------|-----------|-------------|------------|------------|
| 9000046-XLPDNB | 101.± 3.0 | 11.16 ± 0.1 | 8.08 ± 0.1 | SMA (Male) |



X-ON Electronics

Largest Supplier of Electrical and Electronic Components

Click to view similar products for [Antennas category](#):

Click to view products by [Kyocera AVX manufacturer](#):

Other Similar products are found below :

[GAN30084EU](#) [930-033-R](#) [GW17.07.0250E](#) [1513563-1](#) [EXE902SM](#) [APAMPG-117](#) [MAF94383](#) [W3908B0100](#) [W6102B0100](#) [YE572113-30RSMM](#) [108-00014-50](#) [66089-2406](#) [SPDA17RP918](#) [A09-F8NF-M](#) [A09-F5NF-M](#) [RGFRA1903041A1T](#) [W3593B0100](#) [W3921B0100](#) [SIMNA-868](#) [SIMNA-915](#) [SIMNA-433](#) [W1044](#) [W1049B090](#) [A75-001](#) [WTL2449CQ1-FRSMM](#) [CPL9C](#) [EXB148BN](#) [0600-00060](#) [TRA9020S3PBN-001](#) [GD5W-28P-NF](#) [MA9-7N](#) [GD53-25](#) [GD5W-21P-NF](#) [C37](#) [MAF94051](#) [MA9-5N](#) [EXD420PL](#) [B1322NR](#) [QWFTB120](#) [MAF94271](#) [MAF94300](#) [GPSMB301](#) [FG4403](#) [AO-AGSM-OM54](#) [5200232](#) [MIKROE-2349](#) [WCM.01.0111](#) [MIKROE-2393](#) [MIKROE-2352](#) [MIKROE-2350](#)