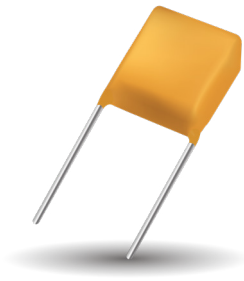


Radial Leaded CapGuard®

Varistor/Capacitor Combination for EMI/Surge Suppression



GENERAL DESCRIPTION

AVX's radial leaded CapGuard® products are designed to provide both transient voltage protection and EMI/RFI suppression for electronic circuits. CapGuards® are ideally suited to filter out EMI/RFI noise generated by switch mode power supplies or motors on DC lines or I/O lines in electronic circuits. With multilayer varistor (MLV) utilized in CapGuard® product, effective transient voltage protection is achieved to protect sensitive electronics from high voltage transients. The capacitor, on the other hand, absorbs high frequency noise on the line. The MLCC capacitors are designed with temperature stable X7R dielectric, allowing for wide temperature use with good capacitance stability.

GENERAL CHARACTERISTICS

- Operating Temperature: -55 to +125°C
- Working Voltage: 26Vdc, 45Vdc
- Capacitance: 0.47µF - 4.7µF

FEATURES

- High Capacitance / EMI Filtering
- Bi-Directional Protection
- AEC Q200 qualified
- Multiple Strike Capability
- Radial, epoxy encapsulated

APPLICATIONS

- EMI filtering with surge protection
- DC motors
- Inductive switching
- Relays
- Power supplies
- I/O Ports
- and more

HOW TO ORDER

CG Series	21 Size 21	AS Automotive Series	26 Working Voltage 26 = 26Vdc 45 = 45Vdc	F Energy K = 0.6J F = 0.7J H = 1.2J	474 Capacitance 474 = 0.47µF 105 = 1.0µF 475 = 4.7µF	M Tolerance M = ±20%	R Leads R = RoHS Compliant	TR1 Packaging Blank = Bulk TR1 = T&R Standard 1 TR2 = T&R Standard 2
---------------------	-------------------------	--------------------------------	--	--	---	-----------------------------------	---	---



ELECTRICAL CHARACTERISTICS

AVX Part Number	V _{WDC}	V _{WAC}	V _B	V _C	I _{VC}	I _L	E _T	E _{LD}	I _P	Cap	Tol	V _{JUMP}
CG21AS26F474MR	26.0	18.0	33.0±10%	54	1	15	0.7	1.5	200	0.47	±20%	27.5
CG21AS26F105MR	26.0	18.0	33.0±10%	54	1	15	0.7	1.5	200	1	±20%	27.5
CG21AS26H475MR	26.0	18.0	34.5±10%	60	5	15	1.2	3	300	4.7	±20%	27.5
CG21AS45K474MR	45.0	35.0	56.0±10%	90	1	15	0.6	1.25	200	0.47	±20%	48
CG21AS45K105MR	45.0	35.0	56.0±10%	90	1	15	0.6	1.25	200	1	±20%	48

- V_w(DC) DC Working Voltage [V]
- V_w(AC) AC Working Voltage [V]
- V_B Typical Breakdown Voltage [V @ 1mA_{DC}]
- V_C Clamping Voltage [V @ I_V]
- I_{VC} Test Current for V_C
- I_L Maximum leakage current at the working voltage [µA]

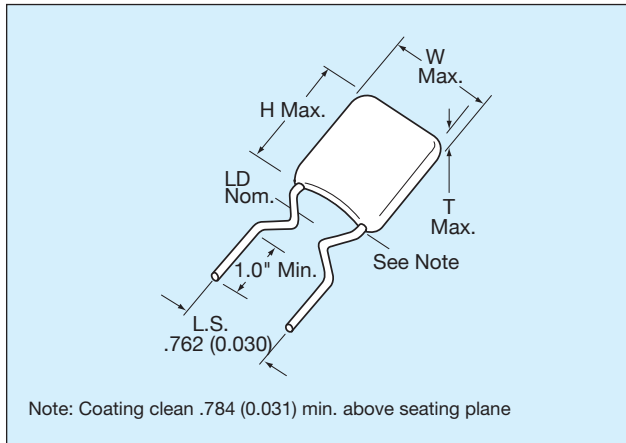
- E_T Transient Energy Rating [J, 10x1000µs]
- E_{LD} Load Dump Energy (x10) [J]
- I_P Peak Current Rating [A, 8x20µs]
- Cap Typical capacitance [pF] @ frequency specified and 0.5V_{RMS}
- Tol Capacitance tolerance [%] from Typ value
- V_{JUMP} Jump Start (V)

Radial Leaded CapGuard®

Varistor/Capacitor Combination for EMI/Surge Suppression

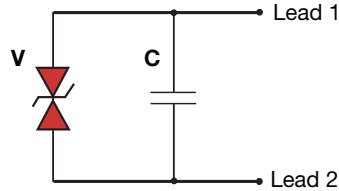


PHYSICAL DIMENSIONS



mm (inches)					
AVX Style	Width (W)	Height (H)	Thickness (T)	Lead Spacing	Lead Diameter
CG21	6.35 Max (0.250)	8.25 Max (0.325)	5.08 Max (0.200)	5.08±0.76 (0.200±0.030)	0.508 nom. (0.020)

Schematic Diagram

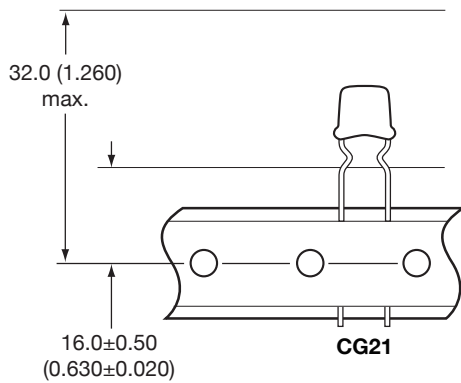


Drawings are for illustrative purposes only. Actual lead form shape could vary within stated tolerances based on body size.

TAPE & REEL PACKAGING OPTIONS

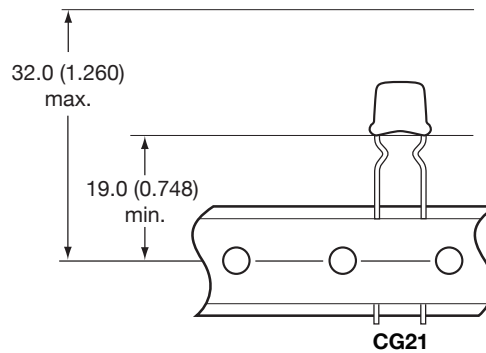
TR1

Tape & Reel Standard 1



TR2

Tape & Reel Standard 2



X-ON Electronics

Largest Supplier of Electrical and Electronic Components

Click to view similar products for [ESD Suppressors / TVS Diodes](#) category:

Click to view products by [Kyocera AVX](#) manufacturer:

Other Similar products are found below :

[60KS200C](#) [D12V0H1U2WS-7](#) [D18V0L1B2LP-7B](#) [82356050220](#) [D5V0M5U6V-7](#) [NTE4902](#) [P4KE27CA](#) [P6KE11CA](#) [P6KE39CA-TP](#)
[P6KE8.2A](#) [SA110CA](#) [SA60CA](#) [SA64CA](#) [SMBJ12CATR](#) [SMBJ8.0A](#) [SMLJ30CA-TP](#) [ESD101-B1-02ELS E6327](#) [ESD112-B1-02EL E6327](#)
[ESD119B1W01005E6327XTSA1](#) [ESD5V0J4-TP](#) [ESD5V0L1B02VH6327XTSA1](#) [ESD7451N2T5G](#) [19180-510](#) [CPDT-5V0USP-HF](#)
[3.0SMCJ33CA-F](#) [3.0SMCJ36A-F](#) [HSPC16701B02TP](#) [D3V3Q1B2DLP3-7](#) [D55V0M1B2WS-7](#) [DESD5V0U1BL-7B](#) [DRTR5V0U4SL-7](#)
[SCM1293A-04SO](#) [ESD200-B1-CSP0201 E6327](#) [ESD203-B1-02EL E6327](#) [SM12-7](#) [SMF8.0A-TP](#) [SMLJ45CA-TP](#) [CEN955 W/DATA](#)
[82350120560](#) [82356240030](#) [VESD12A1A-HD1-GS08](#) [CPDUR5V0R-HF](#) [CPDUR24V-HF](#) [CPDQC5V0U-HF](#) [CPDQC5V0USP-HF](#)
[CPDQC5V0-HF](#) [D1213A-01LP4-7B](#) [D1213A-02WL-7](#) [ESDLIN1524BJ-HQ](#) [5KP100A](#)