

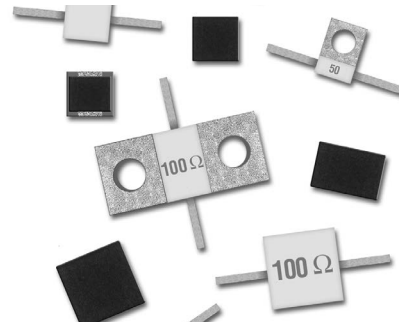
High Power Resistive Products

Resistors

KYOCERA AVX introduces its line of High Power Resistive Products. All products are designed and manufactured at our ISO 9001 Facilities.

ELECTRICAL SPECIFICATIONS

- Resistance: 50 and 100 Ω standard (10 Ω - 200 Ω available)
- Resistance Tolerance: ±5% standard (±2% available)
- Power: 4 Watts through 250 Watts
- Operating Temperature Range: -55°C - +150°C
- Temperature Coefficient: < 150 ppm/°C
- Low Capacitance

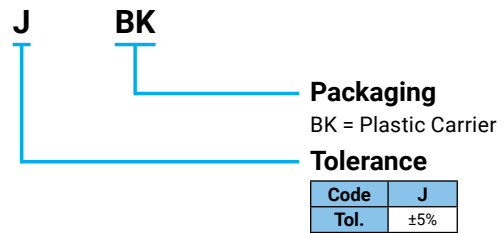
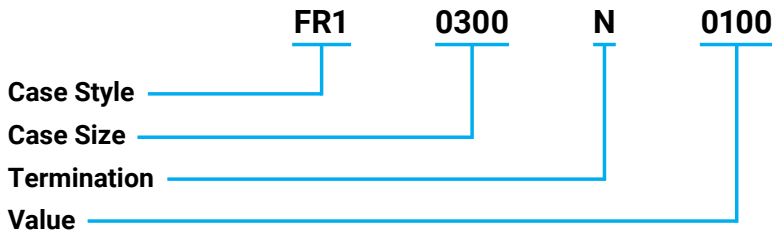


MECHANICAL SPECIFICATIONS

- Package: Surface Mount Chips, Chips, Leaded Chips, Flanged
- Substrate Material: Aluminum Nitride
- Process: Thin Film
- Resistive Material: Tantalum
- Terminals: Silver
- Cover: Alumina
- Mounting Flange: 100% Cu, Ni or Ag Plated
- Mechanical Tolerance: ±.005
- SMT and Chip products, supplied on Tape and Reel
- Non-Magnetic (exception CS and CW Style Surface Mount Resistors)
- Lead-Free, RoHS Compliant



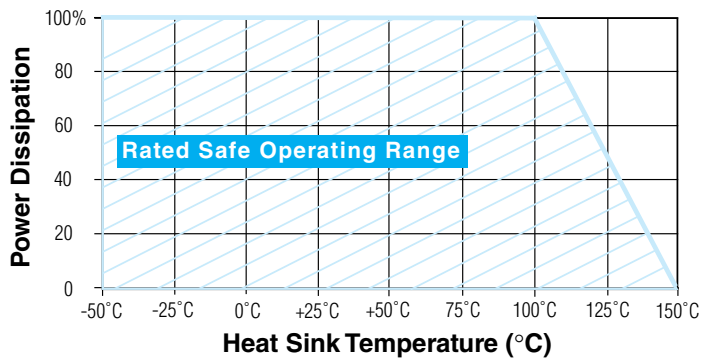
HOW TO ORDER



Code	J
Tol.	±5%

*G ±2% available - Consult Factory

POWER DERATING



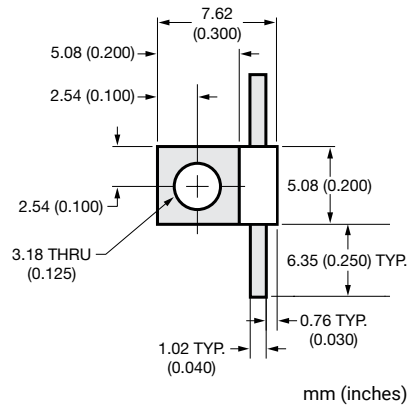
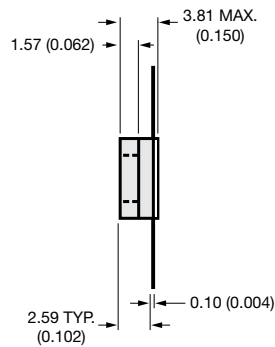
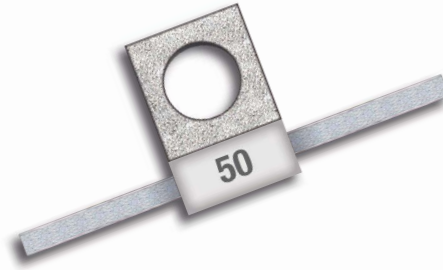
High Power Resistive Products

Flange Mount Resistors

P/N: FR10300NXXXXJ

ELECTRICAL SPECIFICATIONS

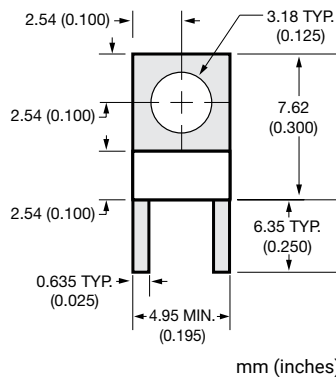
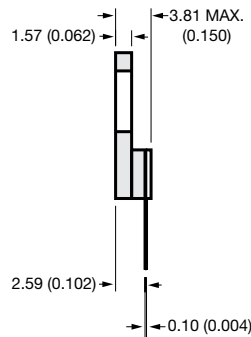
- **Resistance:** 100 Ω standard (other Ω values available)
- **Resistive Tolerance:** ±5% standard (±2% available)
- **Power:** 20 Watts
- **Capacitance:** 1.0 pF
- **Operating Temperature Range:** -55°C to +150°C
- **Temperature Coefficient:** <150 ppm/°C
- **Tabs:** Silver
- **Lead-Free, RoHS Compliant**
- **Non-Magnetic available**



P/N: FR10302NXXXXJ

ELECTRICAL SPECIFICATIONS

- **Resistance:** 100 Ω standard (other Ω values available)
- **Resistive Tolerance:** ±5% standard (±2% available)
- **Power:** 20 Watts
- **Capacitance:** 1.0 pF
- **Operating Temperature Range:** -55 to +150°C
- **Temperature Coefficient:** <150 ppm/°C
- **Tabs:** Silver
- **Lead-Free, RoHS Compliant**
- **Non-Magnetic available**



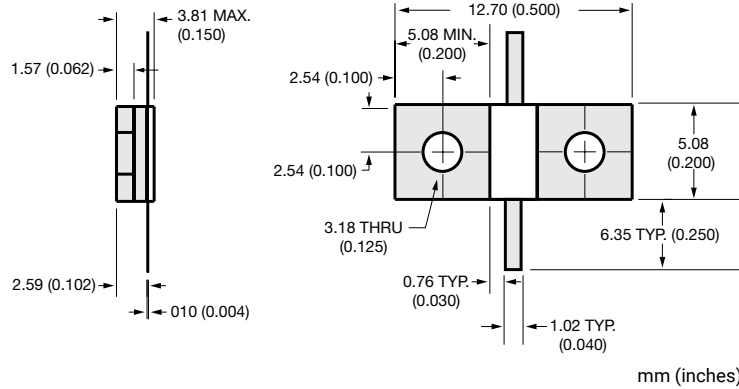
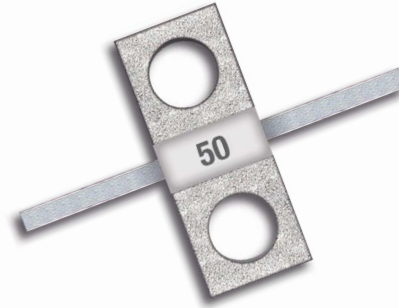
High Power Resistive Products

Flange Mount Resistors

P/N: FR10500NXXXXJ

ELECTRICAL SPECIFICATIONS

- **Resistance:** 100 Ω standard (other Ω values available)
- **Resistive Tolerance:** ±5% standard (±2% available)
- **Power:** 25 Watts
- **Capacitance:** 1.0pF
- **Operating Temperature Range:** -55 to +150°C
- **Temperature Coefficient:** <150 ppm/°C
- **Tabs:** Silver
- **Lead-Free, RoHS Compliant**
- **Non-Magnetic available**

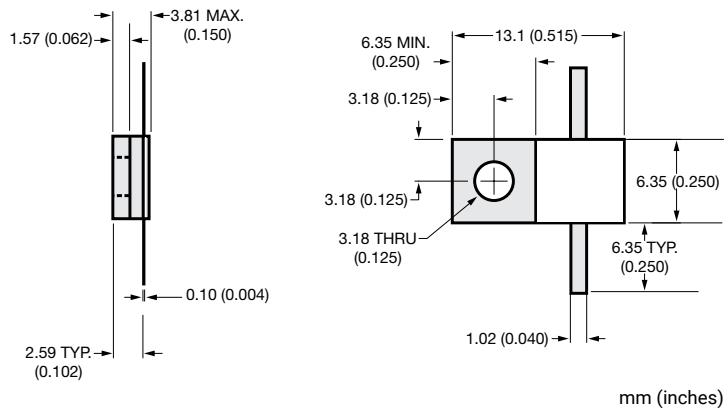
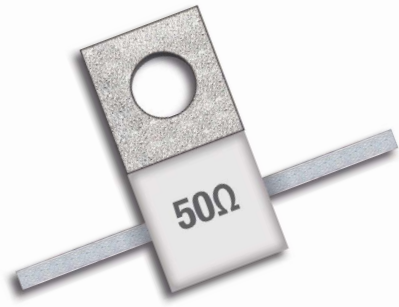


mm (inches)

P/N: FR10515NXXXXJ

ELECTRICAL SPECIFICATIONS

- **Resistance:** 100 Ω standard (other Ω values available)
- **Resistive Tolerance:** ±5% standard (±2% available)
- **Power:** 60 Watts
- **Capacitance:** 2.0 pF
- **Operating Temperature Range:** -55°C to +150°C
- **Temperature Coefficient:** <150 ppm/°C
- **Tabs:** Silver
- **Lead-Free, RoHS Compliant**
- **Non-Magnetic available**



mm (inches)

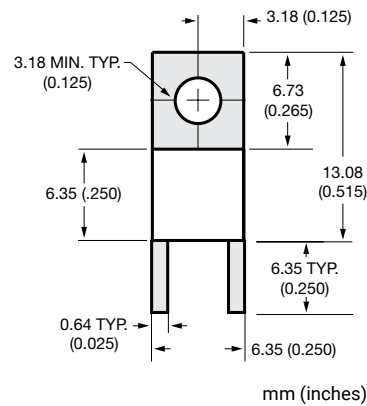
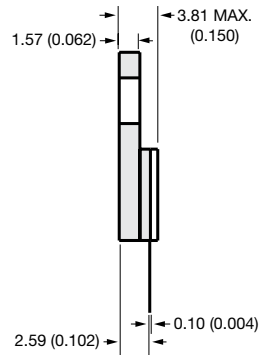
High Power Resistive Products

Flange Mount Resistors

P/N: FR10517NXXXXJ

ELECTRICAL SPECIFICATIONS

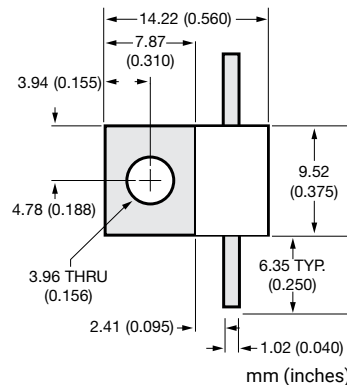
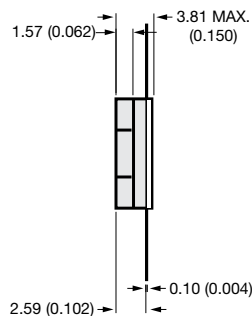
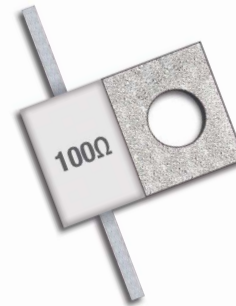
- **Resistance:** 100 Ω standard (other Ω values available)
- **Resistive Tolerance:** ±5% standard (±2% available)
- **Power:** 60 Watts
- **Capacitance:** 2.2 pF
- **Operating Temperature Range:** -55 to +150°C
- **Temperature Coefficient:** <150 ppm/°C
- **Tabs:** Silver
- **Lead-Free, RoHS Compliant**
- **Non-Magnetic available**



P/N: FR10560NXXXXJ

ELECTRICAL SPECIFICATIONS

- **Resistance:** 100 Ω standard (other Ω values available)
- **Resistive Tolerance:** ±5% standard (±2% available)
- **Power:** 75 Watts
- **Capacitance:** 4.15 pF
- **Operating Temperature Range:** -55°C to +150°C
- **Temperature Coefficient:** <150 ppm/°C
- **Tabs:** Silver
- **Lead-Free, RoHS Compliant**
- **Non-Magnetic available**



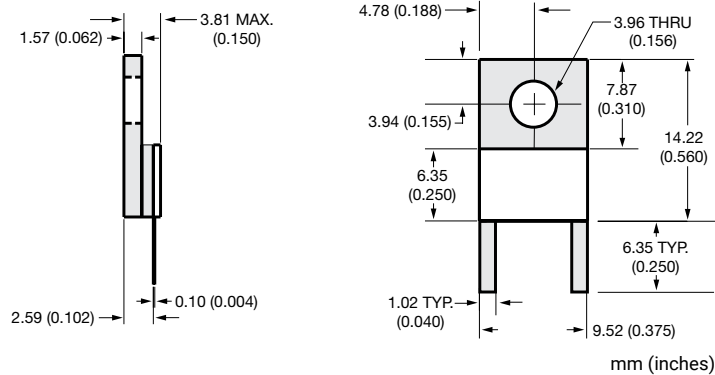
High Power Resistive Products

Flange Mount Resistors

P/N: FR10562NXXXXJ

ELECTRICAL SPECIFICATIONS

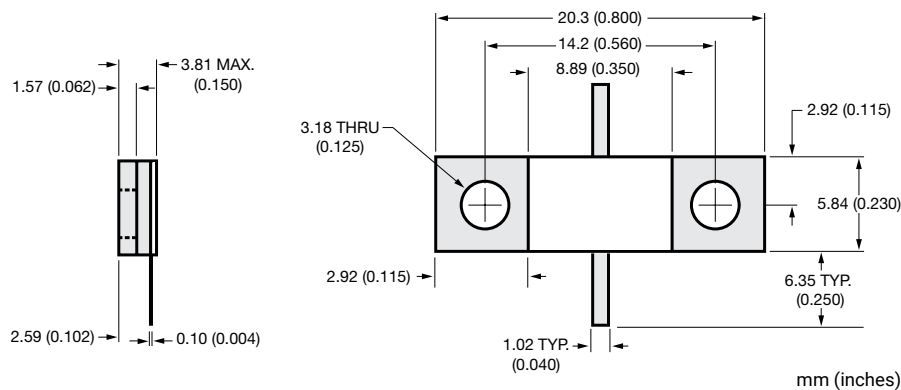
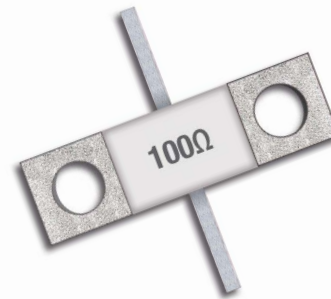
- **Resistance:** 100 Ω standard (other Ω values available)
- **Resistive Tolerance:** ±5% standard (±2% available)
- **Power:** 75 Watts
- **Capacitance:** 4.15 pF
- **Operating Temperature Range:** -55 to +150°C
- **Temperature Coefficient:** <150 ppm/°C
- **Tabs:** Silver
- **Lead-Free, RoHS Compliant**
- **Non-Magnetic available**



P/N: FR10800NXXXXJ

ELECTRICAL SPECIFICATIONS

- **Resistance:** 100 Ω standard (other Ω values available)
- **Resistive Tolerance:** ±5% standard (±2% available)
- **Power:** 100 Watts
- **Capacitance:** 3.10 pF
- **Operating Temperature Range:** -55°C to +150°C
- **Temperature Coefficient:** <150 ppm/°C
- **Tabs:** Silver
- **Lead-Free, RoHS Compliant**
- **Non-Magnetic available**



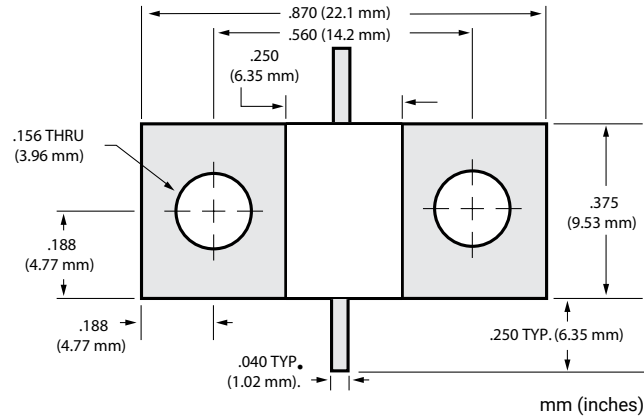
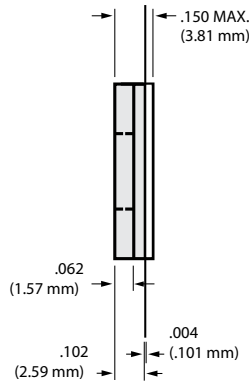
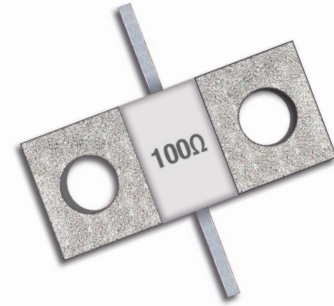
High Power Resistive Products

Flange Mount Resistors

P/N: FR10870NXXXXJ

ELECTRICAL SPECIFICATIONS

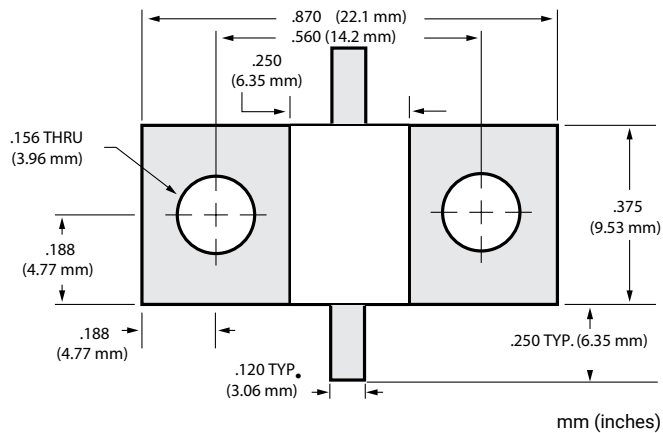
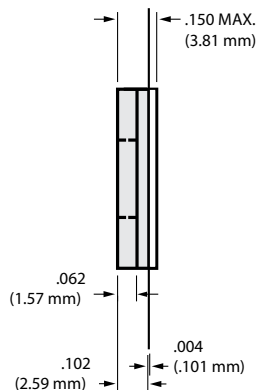
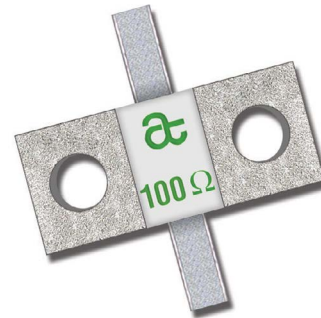
- **Resistance:** 100 Ω standard (other Ω values available)
- **Resistive Tolerance:** ±5% standard (±2% available)
- **Power:** 150 Watts
- **Capacitance:** 4.15 pF
- **Operating Temperature Range:** -55°C to +150°C
- **Temperature Coefficient:** <150 ppm/°C
- **Tabs:** Silver
- **Lead-Free, RoHS Compliant**
- **Non-Magnetic available**



P/N: FR10870NXXXXJ01

ELECTRICAL SPECIFICATIONS

- **Resistance:** 100 Ω standard (other Ω values available)
- **Resistive Tolerance:** ±5% standard (±2% available)
- **Power:** 150 Watts
- **Capacitance:** 4.15 pF
- **Operating Temperature Range:** -55°C to +150°C
- **Temperature Coefficient:** <150 ppm/°C
- **Tabs:** Silver
- **Lead-Free, RoHS Compliant**
- **Non-Magnetic available**



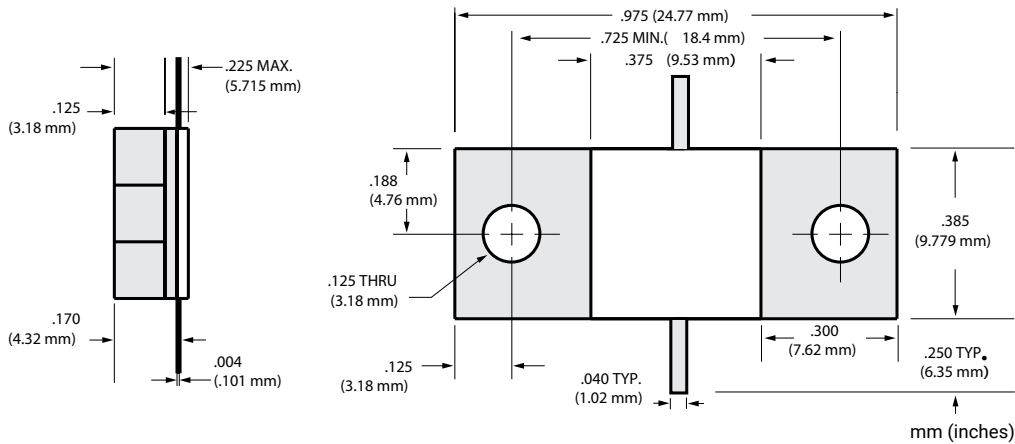
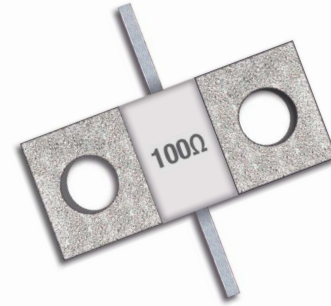
High Power Resistive Products

Flange Mount Resistors

P/N: FR10975NXXXXJ

ELECTRICAL SPECIFICATIONS

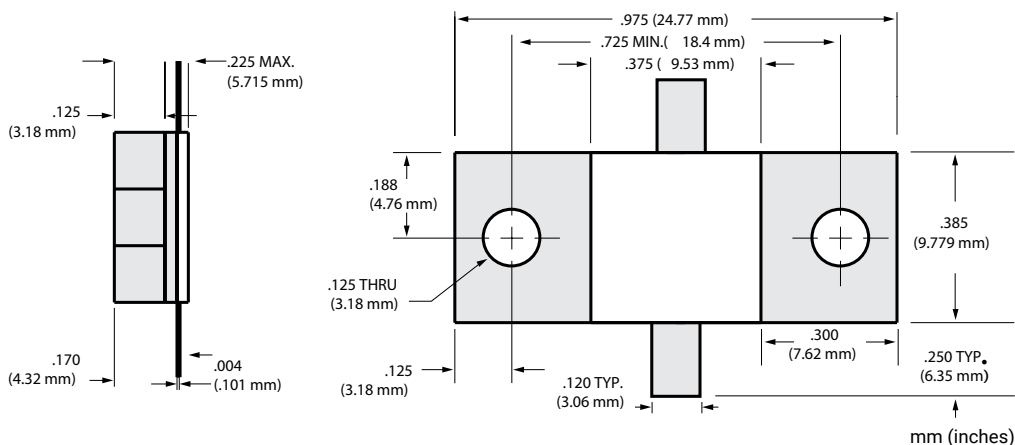
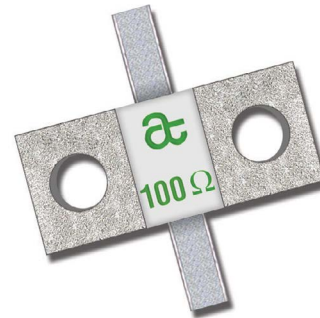
- **Resistance:** 100 Ω standard (other Ω values available)
- **Resistive Tolerance:** ±5% standard (±2% available)
- **Power:** 250 Watts
- **Capacitance:** 6.5 pF
- **Operating Temperature Range:** -55 to +150°C
- **Temperature Coefficient:** <150 ppm/°C
- **Tabs:** Silver
- **Lead-Free, RoHS Compliant**
- **Non-Magnetic available**



P/N: FR10975N0100J01

ELECTRICAL SPECIFICATIONS

- **Resistance:** 100 Ω standard (other Ω values available)
- **Resistive Tolerance:** ±5% standard (±2% available)
- **Power:** 250 Watts
- **Capacitance:** 6.5 pF
- **Operating Temperature Range:** -55 to +150°C
- **Temperature Coefficient:** <150 ppm/°C
- **Tabs:** Silver
- **Lead-Free, RoHS Compliant**
- **Non-Magnetic available**



X-ON Electronics

Largest Supplier of Electrical and Electronic Components

Click to view similar products for [High Frequency/RF Resistors](#) category:

Click to view products by [Kyocera AVX](#) manufacturer:

Other Similar products are found below :

[800-50T-S](#) [10-100RV-S](#) [E250N50X4](#) [250-100RM-S](#) [150-100RL-S](#) [A4B50X1A](#) [10-50TV](#) [G150N50W4B](#) [250-50TC](#) [C20A50Z4](#)
[FC1206E8450FGW0](#) [R1A06031000G5AR](#) [060120A25X50-2](#) [A5B50X1A](#) [CH02016-150RGFTA](#) [CH02016-75RGFTA](#) [CH02016-100RGFTA](#)
[CH0402-100RGFTA](#) [100200-4Z50-2](#) [C150N50Z4](#) [30-100R](#) [60-50TP-S](#) [100N50TW](#) [E200N50X4](#) [250375-4Z50-2](#) [60-50TPR](#)
[MIC1000AFLMGNHWS](#) [FT10301N0050J](#) [CS12010T0100GTR](#) [C8A50Z4B](#) [CS12010T0050JBK](#) [CW12010T0100GTR](#) [FR10515N0050JBK](#)
[FR10515N0100JBK](#) [FT10517N0050JBK](#) [FT10800N0050J02](#) [LT11020T0050JBK](#) [LT12010T0050JBK](#) [30-100R-S](#) [400-50T](#) [40-50TPP](#) [60-50TP](#) [C10A50Z4](#) [C16A50Z4](#) [C1A50Z4](#) [C50A50Z4](#) [G250N50W4](#) [G450N50W4](#) [J100N50X4B](#) [K100N50X4B](#)