

# High Power Resistive Products

## Flange Mount Terminations

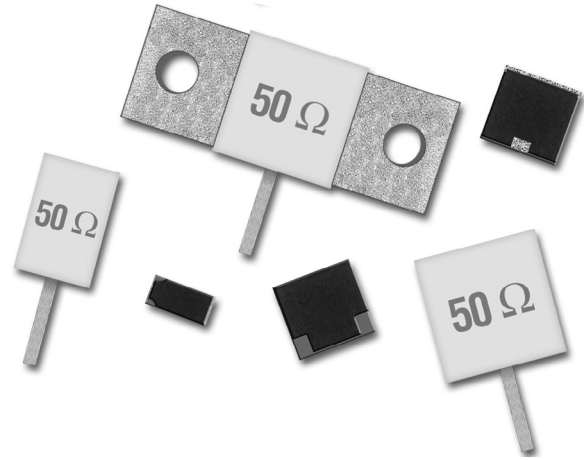
KYOCERA AVX introduces its complete line of High Power Termination Products. All Products are designed and manufactured at our ISO 9001 Facilities.

### ELECTRICAL SPECIFICATIONS

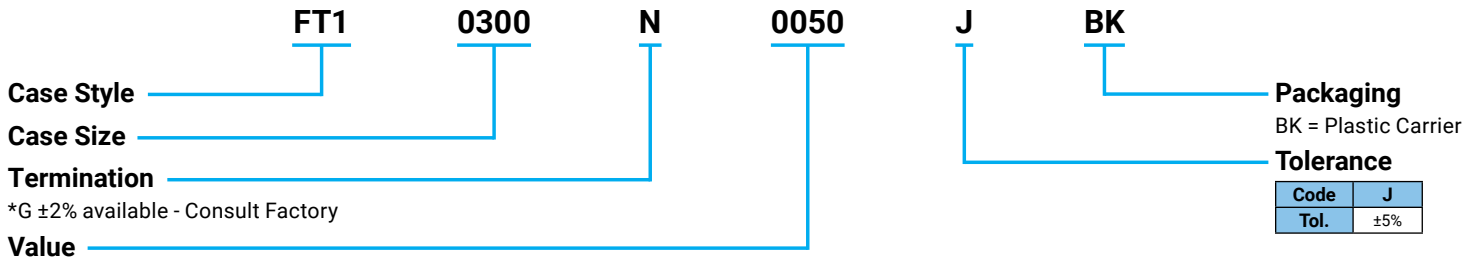
- **Resistance:** 50 Ω standard (10 Ω - 200 Ω available)
- **Resistance Tolerance:** ±5% standard (±2% available)
- **Power:** 10 Watts through 250 Watts
- **Operating Temperature Range:** -55°C to +150°C
- **Temperature Coefficient:** < 150 ppm/°C
- **Low VSWR**

### MECHANICAL SPECIFICATIONS

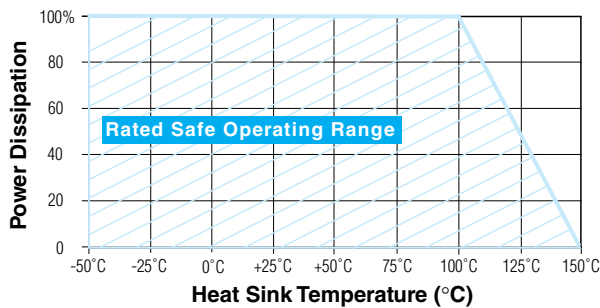
- **Package:** Surface Mount Chips, Chips, Leaded Chips, Flange Mount
- **Substrate Material:** Aluminum Nitride
- **Process:** Thin Film
- **Resistive Material:** Tantalum
- **Terminals:** Silver
- **Cover:** Alumina
- **Mounting Flange:** 100% Cu, Ni or Ag Plated
- **Mechanical Tolerance:** ±0.13 (0.005)
- **Lead-Free, RoHS Compliant**
- **SMT and Chip products, supplied on Tape and Reel**



### HOW TO ORDER



### POWER DERATING



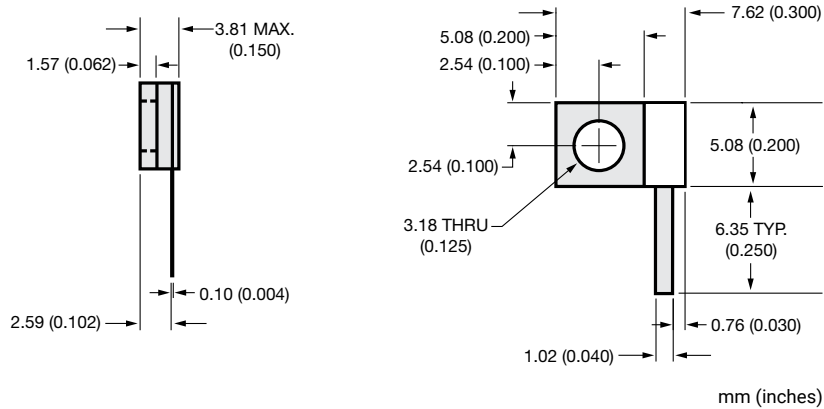
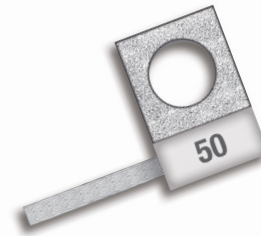
# High Power Resistive Products

## Flange Mount Terminations

P/N: FT10300N0050J

### ELECTRICAL SPECIFICATIONS

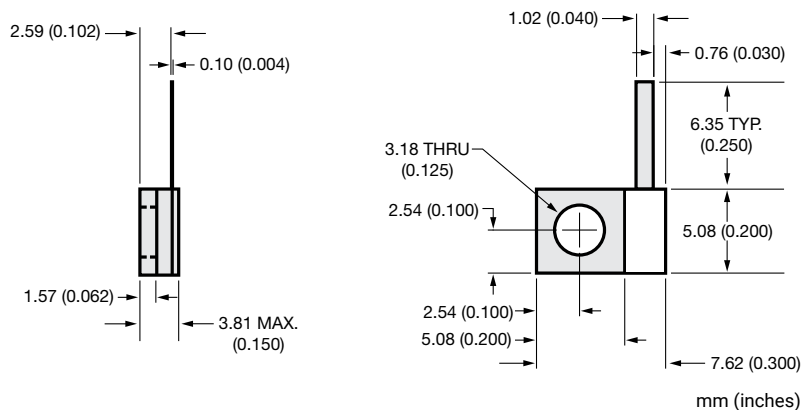
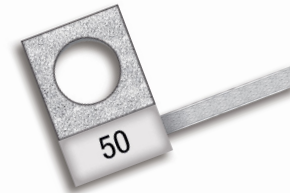
- **Nominal Impedance:** 50  $\Omega$   $\pm$ 5% standard (other  $\Omega$  values available)
- **Power:** 20 Watts
- **Frequency:** DC to 6 GHz
- **VSWR:** 1.15:1 @ 4 GHz, 1.25:1 @ 6 GHz,
- **Operating Temperature Range:** -55°C to +150°C
- **Temperature Coefficient:** <150 ppm/°C
- **Tabs:** Silver
- **Lead-Free, RoHS Compliant**



P/N: FT10301N0050J

### ELECTRICAL SPECIFICATIONS

- **Nominal Impedance:** 50  $\Omega$   $\pm$ 5% standard (other  $\Omega$  values available)
- **Power:** 20 Watts
- **Frequency:** DC to 6 GHz
- **VSWR:** 1.15:1 @ 4 GHz, 1.25:1 @ 6 GHz,
- **Operating Temperature Range:** -55°C to +150°C
- **Temperature Coefficient:** <150 ppm/°C
- **Tabs:** Silver
- **Lead-Free, RoHS Compliant**



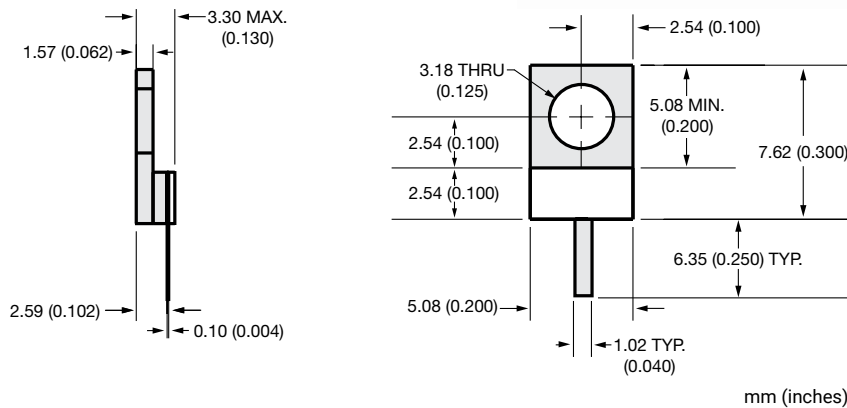
# High Power Resistive Products

## Flange Mount Terminations

P/N: FT10302N0050J

### ELECTRICAL SPECIFICATIONS

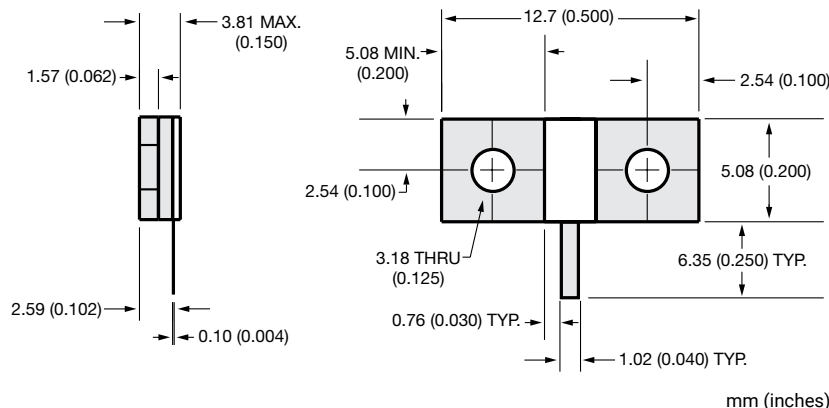
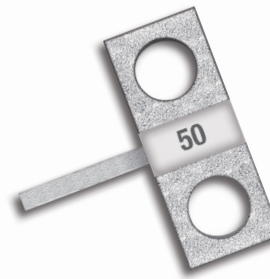
- **Nominal Impedance:** 50 Ω ±5% standard (other Ω values available)
- **Power:** 20 Watts
- **Frequency:** DC to 18 GHz
- **VSWR:** 1.15:1 @ 15 GHz, 1.25:1 @ 18 GHz
- **Operating Temperature Range:** -55°C to +150°C
- **Temperature Coefficient:** <150 ppm/°C
- **Tabs:** Silver
- **Lead-Free, RoHS Compliant**



P/N: FT10500N0050J

### ELECTRICAL SPECIFICATIONS

- **Nominal Impedance:** 50 Ω ±5% standard (other Ω values available)
- **Power:** 25 Watts
- **Frequency:** DC to 6.0 GHz
- **VSWR:** 1.15:1 @ 4 GHz, 1.25:1 @ 6 GHz
- **Operating Temperature Range:** -55°C to +150°C
- **Temperature Coefficient:** <150 ppm/°C
- **Tabs:** Silver
- **Lead-Free, RoHS Compliant**



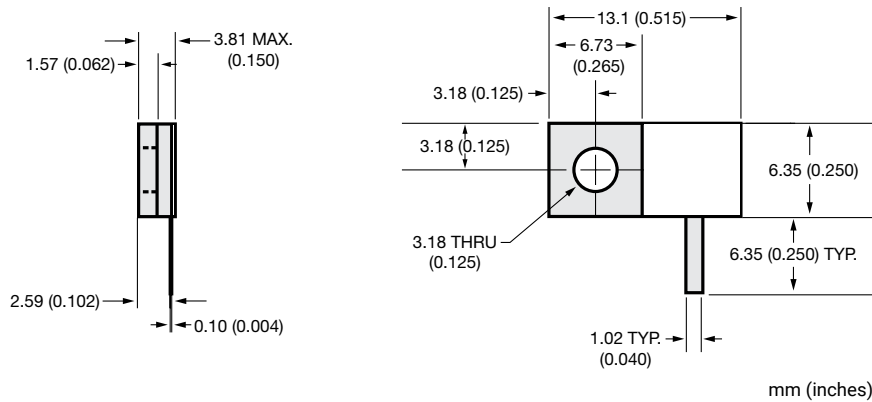
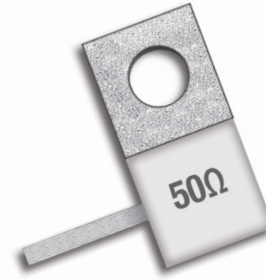
# High Power Resistive Products

## Flange Mount Terminations

P/N: FT10515N0050J

### ELECTRICAL SPECIFICATIONS

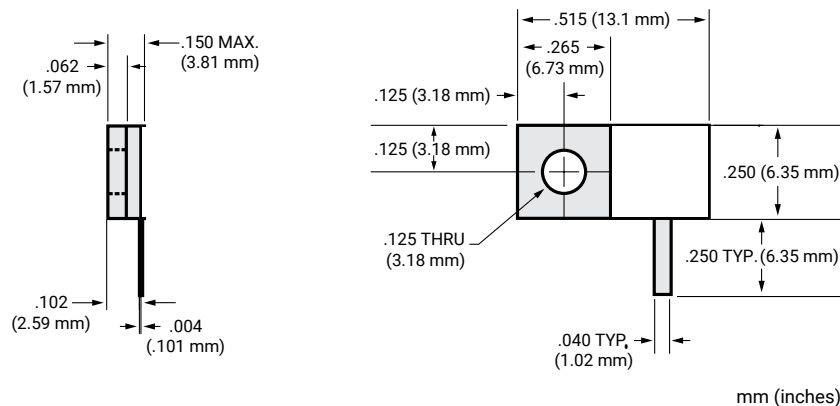
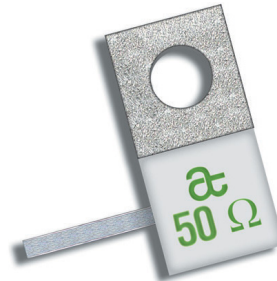
- **Nominal Impedance:** 50 Ω ±5% standard (other Ω values available)
- **Power:** 60 Watts
- **Frequency:** DC to 6.0 GHz
- **VSWR:** 1.20:1 @ 4 GHz, 1.30:1 @ 6 GHz
- **Operating Temperature Range:** -55°C to +150°C
- **Temperature Coefficient:** <150 ppm/°C
- **Tabs:** Silver
- **Lead-Free, RoHS Compliant**



P/N: FT10515N0050J01

### ELECTRICAL SPECIFICATIONS

- **Nominal Impedance:** 50 Ω ±5% standard (other Ω values available)
- **Power:** 100 Watts
- **Frequency:** DC to 2.5 GHz
- **VSWR:** 1.15:1
- **Operating Temperature Range:** -55°C to +150°C
- **Temperature Coefficient:** <150 ppm/°C
- **Tabs:** Silver
- **Lead-Free, RoHS Compliant**



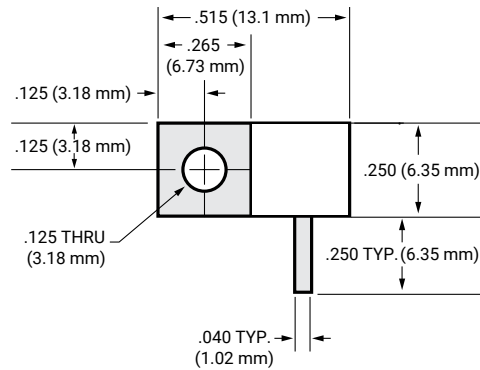
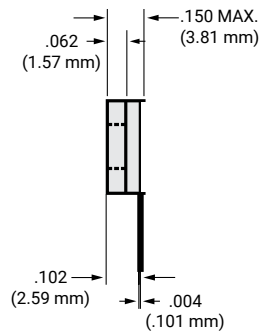
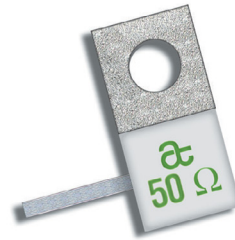
# High Power Resistive Products

## Flange Mount Terminations

P/N: FT10515N0050J02

### ELECTRICAL SPECIFICATIONS

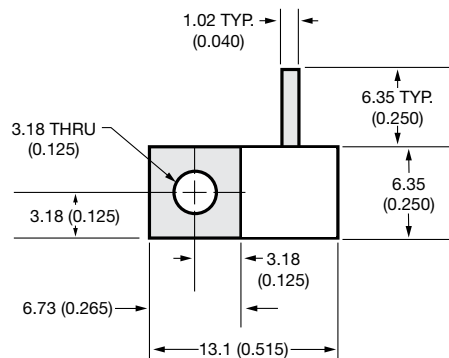
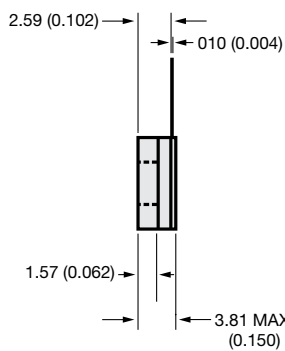
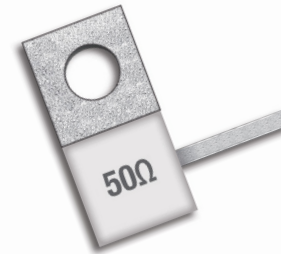
- **Nominal Impedance:** 50  $\Omega$   $\pm$ 5% standard (other  $\Omega$  values available)
- **Power:** 100 Watts
- **Frequency:** DC to 4 GHz
- **VSWR:** 1.20:1
- **Operating Temperature Range:** -55°C to +150°C
- **Temperature Coefficient:** <150 ppm/°C
- **Tabs:** Silver
- **Lead-Free, RoHS Compliant**



P/N: FT10516N0050J

### ELECTRICAL SPECIFICATIONS

- **Nominal Impedance:** 50  $\Omega$   $\pm$ 5% standard (other  $\Omega$  values available)
- **Power:** 60 Watts
- **Frequency:** DC to 6 GHz
- **VSWR:** 1.20:1 @ 4 GHz, 1.30:1 @ 6 GHz
- **Operating Temperature Range:** -55°C to +150°C
- **Temperature Coefficient:** <150 ppm/°C
- **Tabs:** Silver
- **Lead-Free, RoHS Compliant**



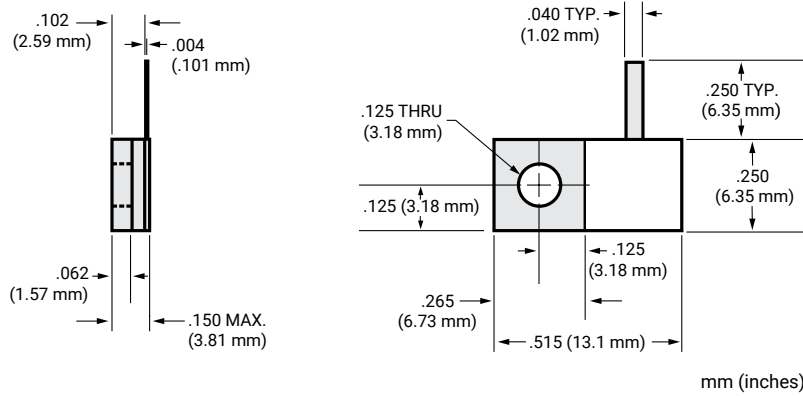
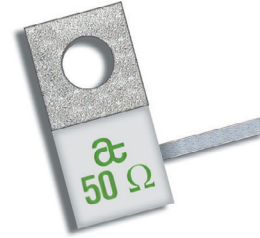
# High Power Resistive Products

## Flange Mount Terminations

P/N: FT10516N0050J01

### ELECTRICAL SPECIFICATIONS

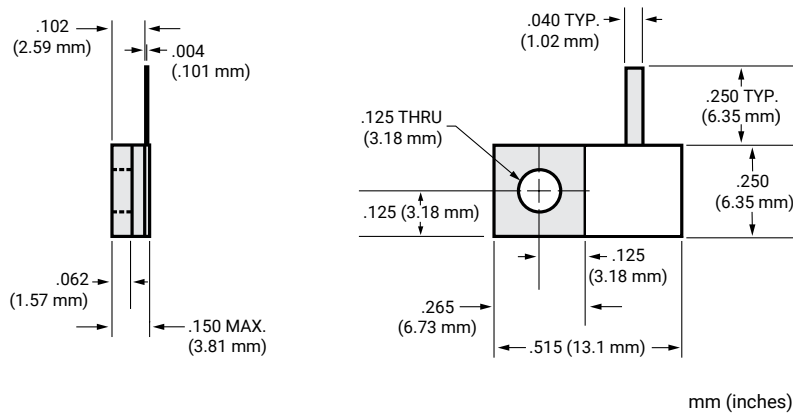
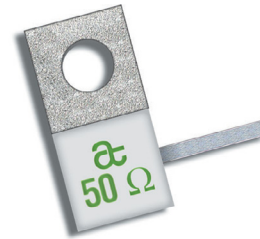
- **Nominal Impedance:** 50  $\Omega$   $\pm$ 5% standard (other  $\Omega$  values available)
- **Power:** 100 Watts
- **Frequency:** DC to 2.5 GHz
- **VSWR:** 1.15:1
- **Operating Temperature Range:** -55°C to +150°C
- **Temperature Coefficient:** <150 ppm/°C
- **Tabs:** Silver
- **Lead-Free, RoHS Compliant**



P/N: FT10516N0050J02

### ELECTRICAL SPECIFICATIONS

- **Nominal Impedance:** 50  $\Omega$   $\pm$ 5% standard (other  $\Omega$  values available)
- **Power:** 100 Watts
- **Frequency:** DC to 4 GHz
- **VSWR:** 1.20:1
- **Operating Temperature Range:** -55°C to +150°C
- **Temperature Coefficient:** <150 ppm/°C
- **Tabs:** Silver
- **Lead-Free, RoHS Compliant**



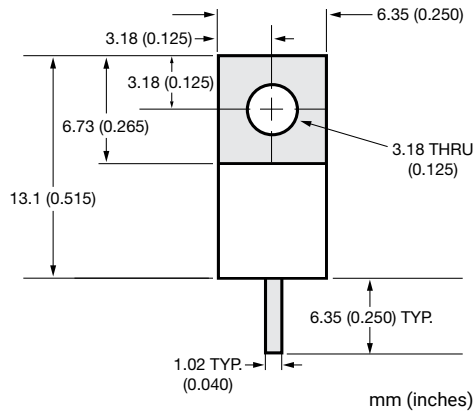
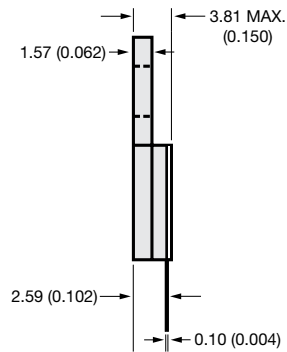
# High Power Resistive Products

## Flange Mount Terminations

P/N: FT10517N0050J

### ELECTRICAL SPECIFICATIONS

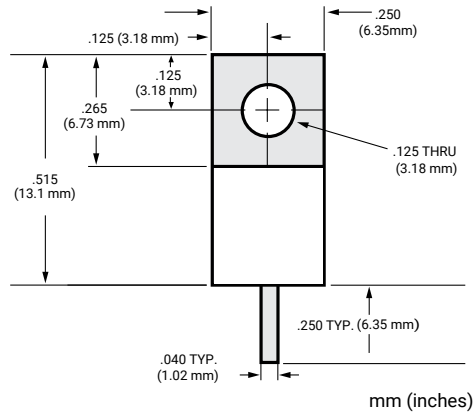
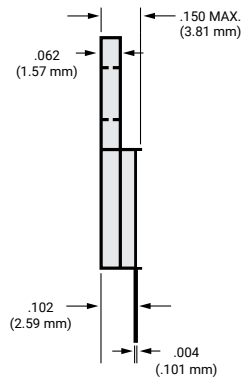
- **Nominal Impedance:** 50 Ω ±5% standard (other Ω values available)
- **Power:** 60 Watts
- **Frequency:** DC to 4 GHz
- **VSWR:** 1.20:1 @ 4 GHz, 1.30:1 @ 6 GHz
- **Operating Temperature Range:** -55°C to +150°C
- **Temperature Coefficient:** <150 ppm/°C
- **Tabs:** Silver
- **Lead-Free, RoHS Compliant**



P/N: FT10517N0050J01

### ELECTRICAL SPECIFICATIONS

- **Nominal Impedance:** 50 Ω ±5% standard (other Ω values available)
- **Power:** 100 Watts
- **Frequency:** DC to 2.5 GHz
- **VSWR:** 1.15:1
- **Operating Temperature Range:** -55°C to +150°C
- **Temperature Coefficient:** <150 ppm/°C
- **Tabs:** Silver
- **Lead-Free, RoHS Compliant**



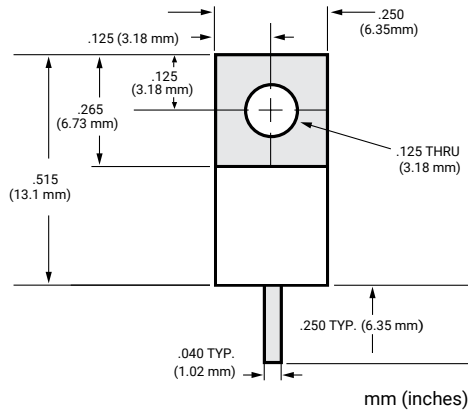
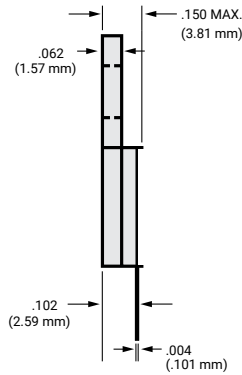
# High Power Resistive Products

## Flange Mount Terminations

P/N: FT10517N0050J02

### ELECTRICAL SPECIFICATIONS

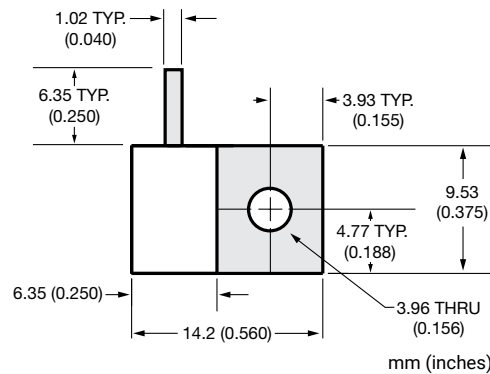
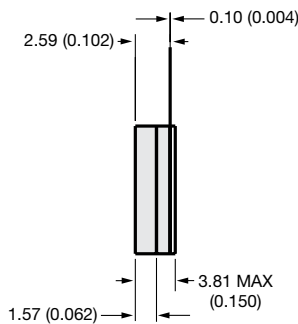
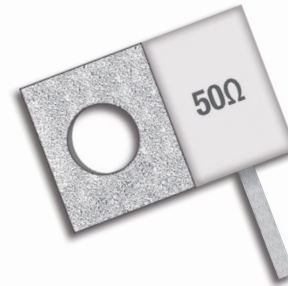
- **Nominal Impedance:** 50 Ω ±5% standard (other Ω values available)
- **Power:** 100 Watts
- **Frequency:** DC to 4 GHz
- **VSWR:** 1.20:1
- **Operating Temperature Range:** -55°C to +150°C
- **Temperature Coefficient:** <150 ppm/°C
- **Tabs:** Silver
- **Lead-Free, RoHS Compliant**



P/N: FT10560N0050J

### ELECTRICAL SPECIFICATIONS

- **Nominal Impedance:** 50 Ω ±5% standard (other Ω values available)
- **Power:** 75 Watts
- **Frequency:** DC to 4 GHz
- **VSWR:** 1.25:1
- **Operating Temperature Range:** -55°C to +150°C
- **Temperature Coefficient:** <150 ppm/°C
- **Tabs:** Silver
- **Lead-Free, RoHS Compliant**





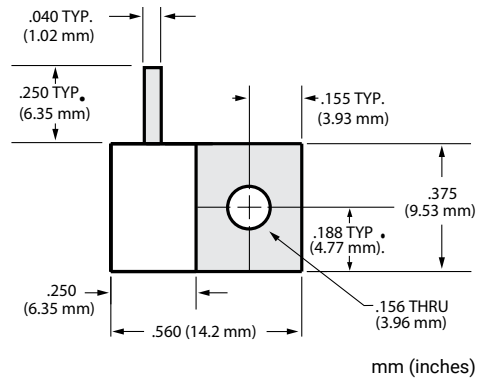
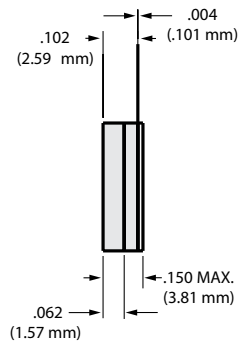
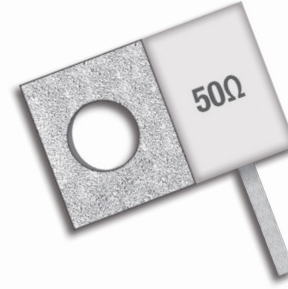
# High Power Resistive Products

## Flange Mount Terminations

P/N: FT10560N0050J01

### ELECTRICAL SPECIFICATIONS

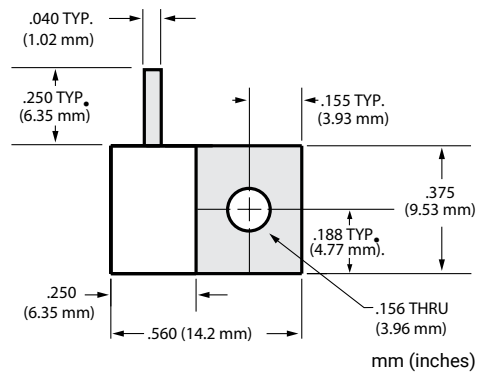
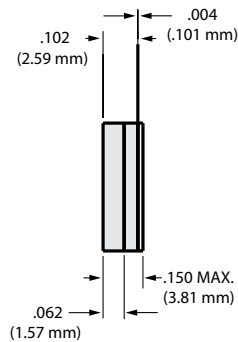
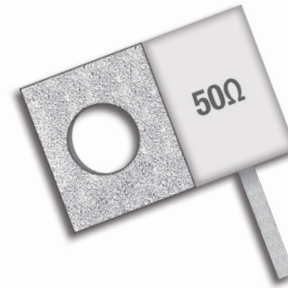
- **Nominal Impedance:** 50 Ω ±5% standard (other Ω values available)
- **Power:** 100 Watts
- **Frequency:** DC to 1.1 GHz
- **VSWR:** 1.15:1
- **Operating Temperature Range:** -55°C to +150°C
- **Temperature Coefficient:** <150 ppm/°C
- **Tabs:** Silver
- **Lead-Free, RoHS Compliant**



P/N: FT10560N0050J02

### ELECTRICAL SPECIFICATIONS

- **Nominal Impedance:** 50 Ω ±5% standard (other Ω values available)
- **Power:** 100 Watts
- **Frequency:** DC to 2 GHz
- **VSWR:** 1.20:1
- **Operating Temperature Range:** -55°C to +150°C
- **Temperature Coefficient:** <150 ppm/°C
- **Tabs:** Silver
- **Lead-Free, RoHS Compliant**



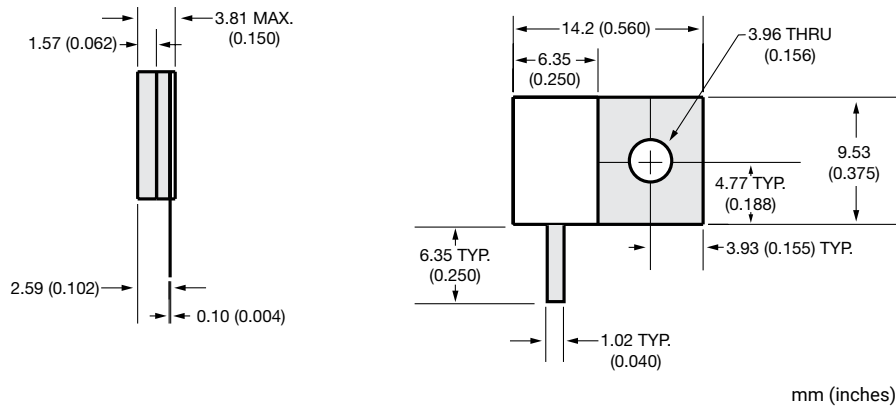
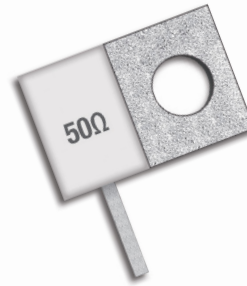
# High Power Resistive Products

## Flange Mount Terminations

P/N: FT10561N0050J

### ELECTRICAL SPECIFICATIONS

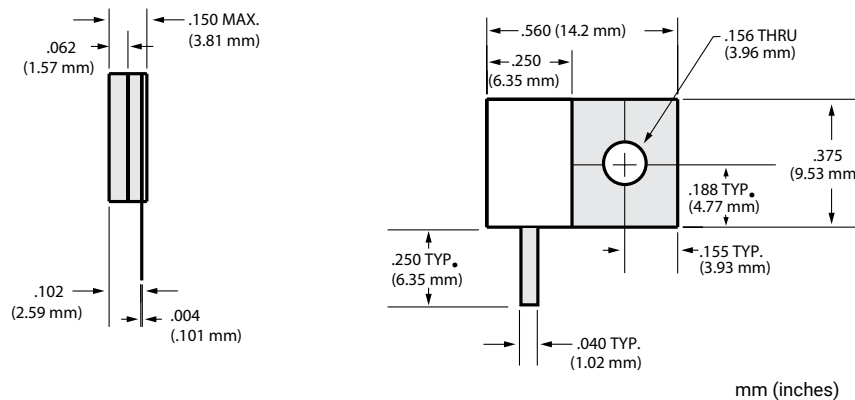
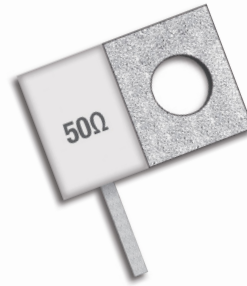
- **Nominal Impedance:** 50 Ω ±5% standard (other Ω values available)
- **Power:** 75 Watts
- **Frequency:** DC to 4.0 GHz
- **VSWR:** 1.25:1
- **Operating Temperature Range:** -55°C to +150°C
- **Temperature Coefficient:** <150 ppm/°C
- **Tabs:** Silver
- **Lead-Free, RoHS Compliant**



P/N: FT10561N0050J01

### ELECTRICAL SPECIFICATIONS

- **Nominal Impedance:** 50 Ω ±5% standard (other Ω values available)
- **Power:** 100 Watts
- **Frequency:** DC to 1.1 GHz
- **VSWR:** 1.15:1
- **Operating Temperature Range:** -55°C to +150°C
- **Temperature Coefficient:** <150 ppm/°C
- **Tabs:** Silver
- **Lead-Free, RoHS Compliant**



For Part Number Code, see page 14.

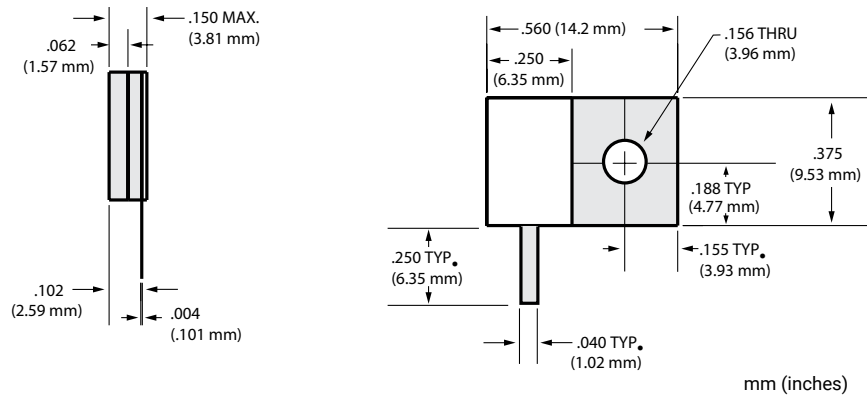
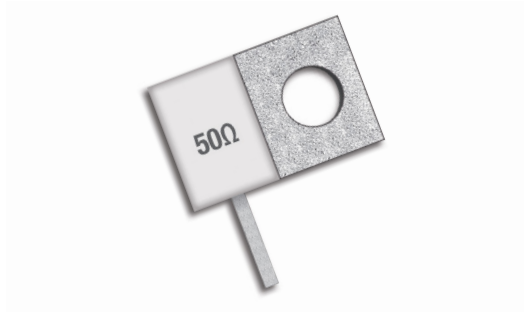
# High Power Resistive Products

## Flange Mount Terminations

P/N: FT10561N0050J02

### ELECTRICAL SPECIFICATIONS

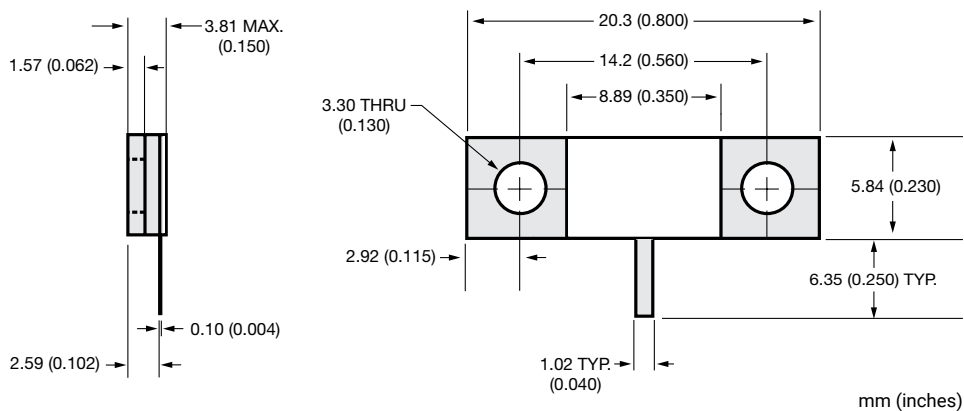
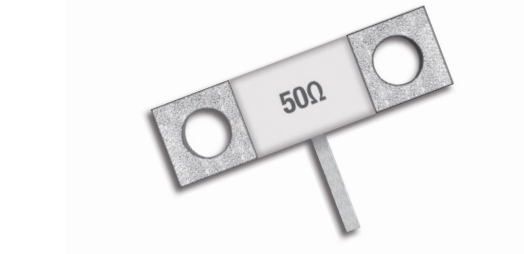
- **Nominal Impedance:** 50 Ω ±5% standard (other Ω values available)
- **Power:** 100 Watts
- **Frequency:** DC to 2 GHz
- **VSWR:** 1.20:1
- **Operating Temperature Range:** -55°C to +150°C
- **Temperature Coefficient:** <150 ppm/°C
- **Tabs:** Silver
- **Lead-Free, RoHS Compliant**



P/N: FT10800N0050J

### ELECTRICAL SPECIFICATIONS

- **Nominal Impedance:** 50 Ω ±5% standard (other Ω values available)
- **Power:** 50 Watts
- **Frequency:** DC to 6 GHz
- **VSWR:** 1.10:1 @ 4.5 GHz, 1.18:1 @ 6.0GHz
- **Operating Temperature Range:** -55°C to +150°C
- **Tabs:** Silver
- **Lead-Free, RoHS Compliant**



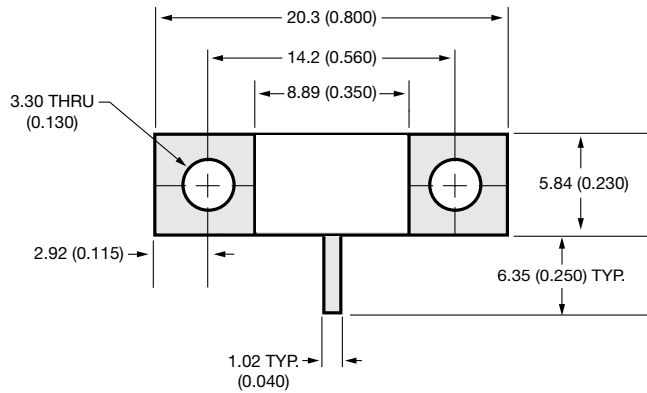
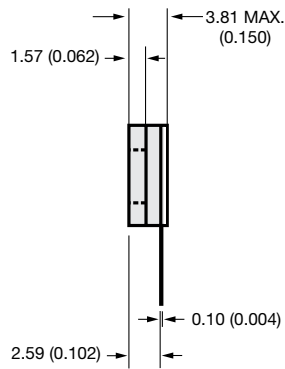
# High Power Resistive Products

## Flange Mount Terminations

P/N: FT10800N0050J02

### ELECTRICAL SPECIFICATIONS

- **Nominal Impedance:** 50 Ω ±5% standard (other Ω values available)
- **Power:** 100 Watts
- **Frequency:** DC to 6 GHz
- **VSWR:** 1.10:1 @ 4.5 GHz, 1.20:1 @ 6.0GHz
- **Operating Temperature Range:** -55°C to +150°C
- **Temperature Coefficient:** <150 ppm/°C
- **Tabs:** Silver
- **Lead-Free, RoHS Compliant**

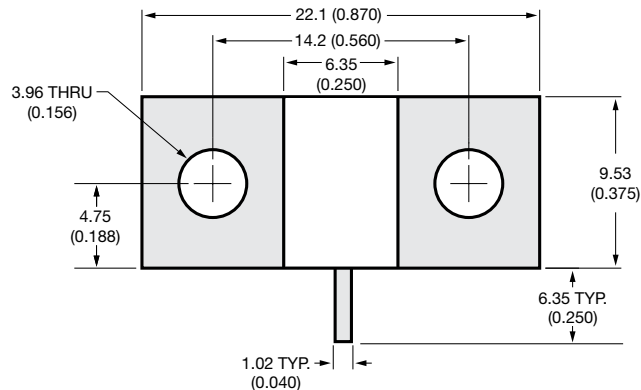
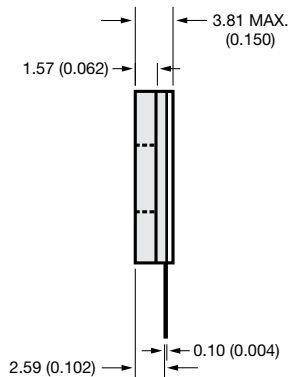
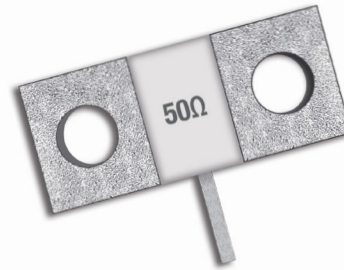


mm (inches)

P/N: FT10870N0050J

### ELECTRICAL SPECIFICATIONS

- **Nominal Impedance:** 50 Ω ±5% standard (other Ω values available)
- **Power:** 100 Watts
- **Frequency:** DC to 4.0 GHz
- **VSWR:** 1.20:1
- **Operating Temperature Range:** -55°C to +150°C
- **Temperature Coefficient:** <150 ppm/°C
- **Tabs:** Silver
- **Lead-Free, RoHS Compliant**



mm (inches)

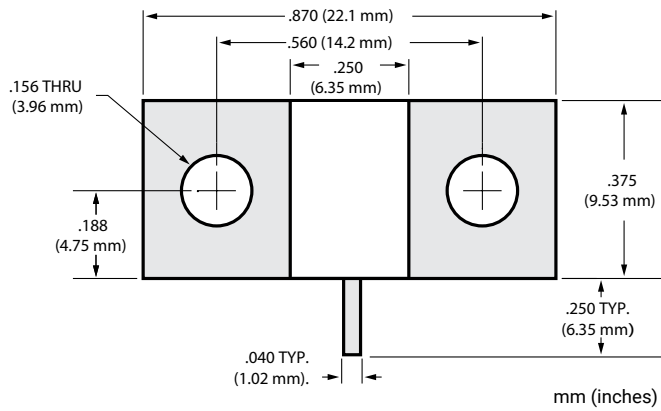
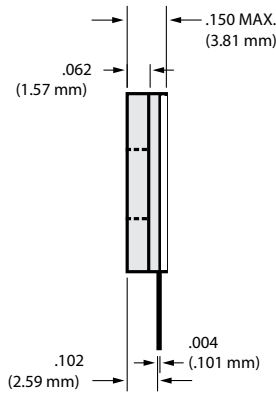
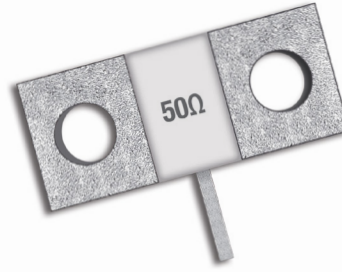
# High Power Resistive Products

## Flange Mount Terminations

P/N: FT10870N0050J01

### ELECTRICAL SPECIFICATIONS

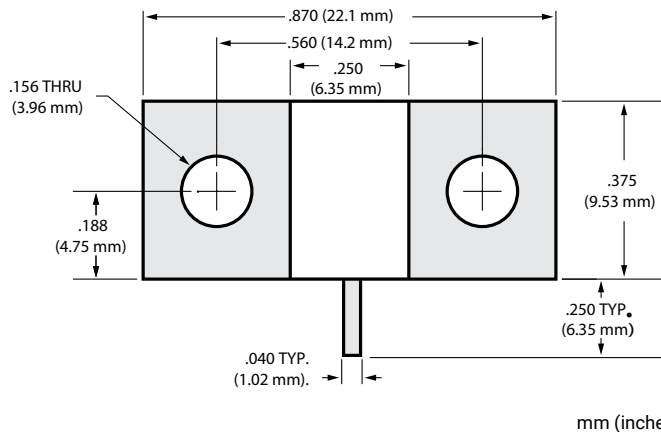
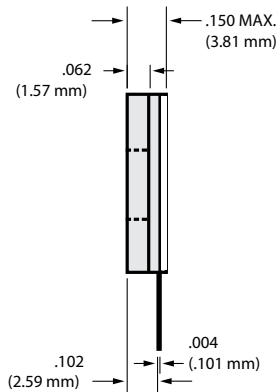
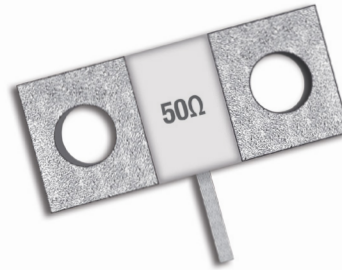
- **Nominal Impedance:** 50  $\Omega$   $\pm$ 5% standard (other  $\Omega$  values available)
- **Power:** 150 Watts
- **Frequency:** DC to 1.1 GHz
- **VSWR:** 1.15:1
- **Operating Temperature Range:** -55°C to +150°C
- **Temperature Coefficient:** <150 ppm/°C
- **Tabs:** Silver
- **Lead-Free, RoHS Compliant**



P/N: FT10870N0050J02

### ELECTRICAL SPECIFICATIONS

- **Nominal Impedance:** 50  $\Omega$   $\pm$ 5% standard (other  $\Omega$  values available)
- **Power:** 150 Watts
- **Frequency:** DC to 4 GHz
- **VSWR:** 1.20:1
- **Operating Temperature Range:** -55°C to +150°C
- **Temperature Coefficient:** <150 ppm/°C
- **Tabs:** Silver
- **Lead-Free, RoHS Compliant**



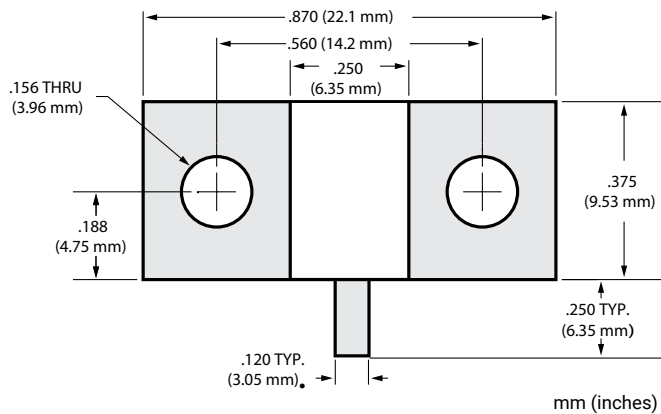
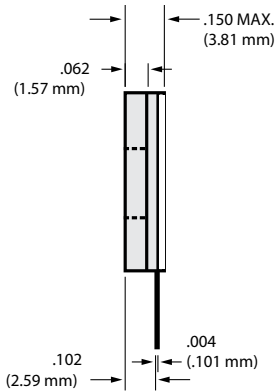
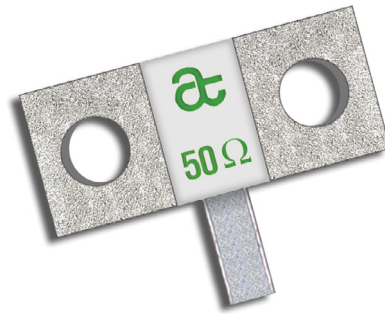
# High Power Resistive Products

## Flange Mount Terminations

P/N: FT10870N0050J03

### ELECTRICAL SPECIFICATIONS

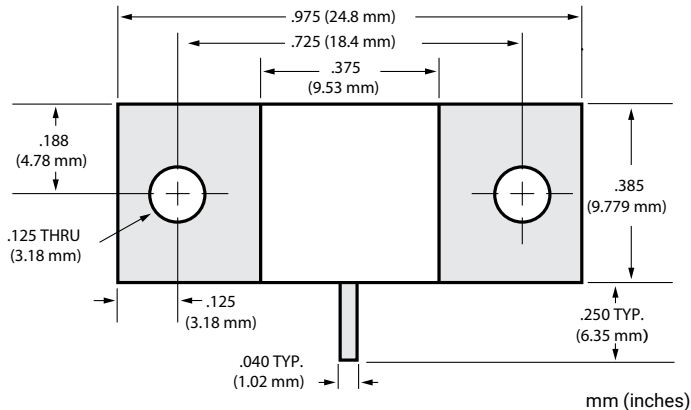
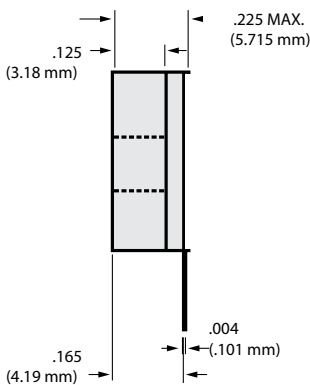
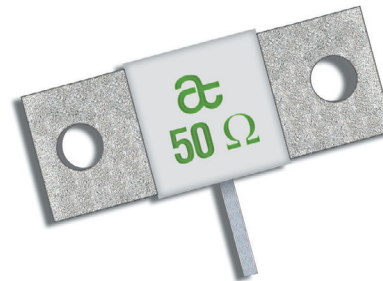
- **Nominal Impedance:** 50 Ω ±5% standard (other Ω values available)
- **Power:** 150 Watts
- **Frequency:** DC to 4 GHz
- **VSWR:** 1.25:1
- **Operating Temperature Range:** -55°C to +150°C
- **Temperature Coefficient:** <150 ppm/°C
- **Tabs:** Silver
- **Lead-Free, RoHS Compliant**



P/N: FT10975N0050JBK

### ELECTRICAL SPECIFICATIONS

- **Nominal Impedance:** 50 Ω ±5% standard (other Ω values available)
- **Power:** 200 Watts
- **Frequency:** DC to 2.2 GHz
- **VSWR:** 1.20:1 @ 2 GHz, 1.30:1 @ 2.2 GHz
- **Operating Temperature Range:** -55°C to +150°C
- **Temperature Coefficient:** <150 ppm/°C
- **Tabs:** Silver
- **Lead-Free, RoHS Compliant**



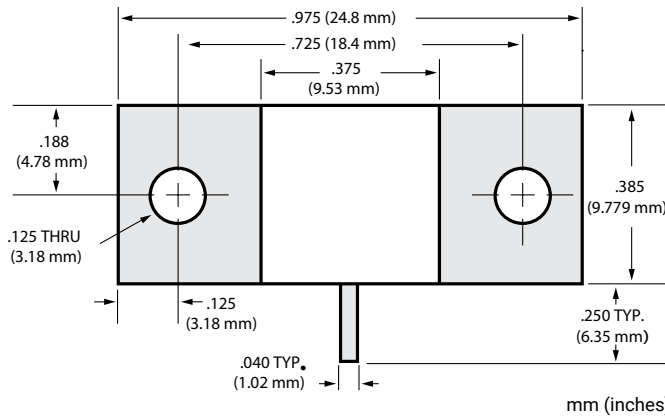
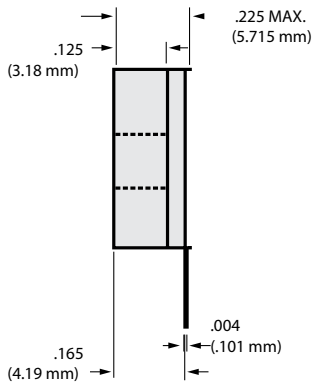
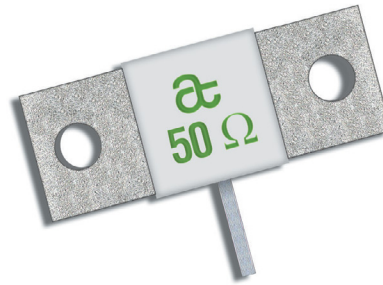
# High Power Resistive Products

## Flange Mount Terminations

P/N: FT10975N0050J01

### ELECTRICAL SPECIFICATIONS

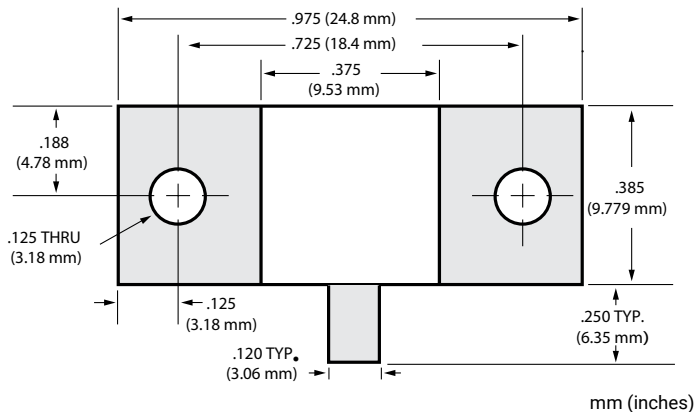
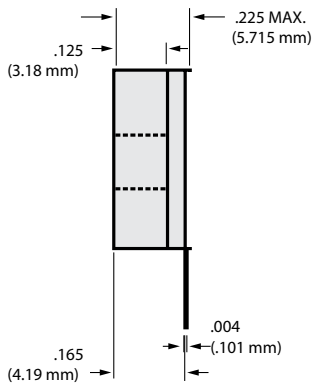
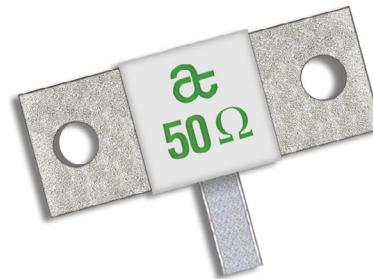
- **Nominal Impedance:** 50  $\Omega$   $\pm$ 5% standard (other  $\Omega$  values available)
- **Power:** 100 Watts
- **Frequency:** DC to 6 GHz
- **VSWR:** 1.10:1 @ 4.5 GHz, 1.20:1 @ 6.0GHz
- **Operating Temperature Range:** -55°C to +150°C
- **Temperature Coefficient:** <150 ppm/°C
- **Tabs:** Silver
- **Lead-Free, RoHS Compliant**



P/N: FT10975N0050J03

### ELECTRICAL SPECIFICATIONS

- **Nominal Impedance:** 50  $\Omega$   $\pm$ 5% standard (other  $\Omega$  values available)
- **Power:** 100 Watts
- **Frequency:** DC to 4.0 GHz
- **VSWR:** 1.20:1
- **Operating Temperature Range:** -55°C to +150°C
- **Temperature Coefficient:** <150 ppm/°C
- **Tabs:** Silver
- **Lead-Free, RoHS Compliant**



## X-ON Electronics

Largest Supplier of Electrical and Electronic Components

*Click to view similar products for [High Frequency/RF Resistors](#) category:*

*Click to view products by [Kyocera AVX](#) manufacturer:*

Other Similar products are found below :

[800-50T-S](#) [10-100RV-S](#) [E250N50X4](#) [250-100RM-S](#) [150-100RL-S](#) [A4B50X1A](#) [10-50TV](#) [G150N50W4B](#) [FC1206E8450FGW0](#)  
[R1A06031000G5AR](#) [060120A25X50-2](#) [C45N50Z4](#) [A5B50X1A](#) [CH02016-150RGFTA](#) [CH02016-75RGFTA](#) [CH02016-100RGFTA](#)  
[CH0402-100RGFTA](#) [100200-4Z50-2](#) [C150N50Z4](#) [30-100R](#) [60-50TP-S](#) [100N50TW](#) [E200N50X4](#) [250375-4Z50-2](#) [60-50TPR](#)  
[MIC1000AFLMGNHWS](#) [FT10301N0050J](#) [CS12010T0100GTR](#) [C8A50Z4B](#) [CW12010T0100GTR](#) [FR10515N0050JBK](#) [FR10515N0100JBK](#)  
[FT10517N0050J01](#) [FT10517N0050JBK](#) [FT10800N0050J02](#) [LT11020T0050JBK](#) [LT12010T0050JBK](#) [30-100R-S](#) [400-50T](#) [40-50TPP](#) [60-](#)  
[50TP](#) [C10A50Z4](#) [C16A50Z4](#) [C1A50Z4](#) [C50A50Z4](#) [G250N50W4](#) [G450N50W4](#) [J100N50X4B](#) [K100N50X4B](#) [R2B130850R0J4J0](#)