

GF01ZD104KATD-15S



Broadband Multilayer Ceramic Capacitors



The GF series of broadband multilayer ceramic capacitors was developed for DC blocking from 16kHz to 20GHz. GF series capacitors provide low insertion loss to 20GHz and are available in an 0201 package with 100nF of capacitance. These capacitors are ideal for DC blocking, coupling, bypassing and feedback applications in optical transceiver modules, high speed applications and instrumentation.

FEATURES

- Operating Frequency Range: 16 KHz to 40 GHz
- Low insertion loss
- X5R Dielectric
- Operating Temperature Range: -55°C to +85°C
- Orientation Insensitive
- Broadband Performance
- Low Insertion Loss
- Excellent Return Loss
- Rugged Ceramic Construction
- RoHS Compliant

APPLICATIONS

- High Speed Data Communications
- Optical sub-assemblies
- Transimpedance Amplifiers
- Test Equipment

HOW TO ORDER

GF	01	Z	D	104	K	A	T	D-15S
Series	Size	Rated Voltage	Dielectric	Capacitance	Tolerance	Failure Rate	Termination	Packaging
Broadband Capacitor	01 = 0201	Z = 10Vdc	D = X5R	104 = 100nF	K = ±10%	A = Std.	T = Sn Plated over Ni Barrier	D-15S = 7" Reel, 15kpcs



ELECTRICAL SPECIFICATIONS

AVX PN	GF01ZD104KATD-15S
Capacitance	100 nF
Rated DC Voltage	10V
Dielectric Withstanding Voltage	250% of rated voltage for 5 seconds
Operating Temperature Range	-55°C to +85°C
Temperature Coefficient of Capacitance	±15% (-55°C to +85°C)
Maximum DF	15% @ 1KHz
Insulation Resistance	10 ⁸ Ω min. @ +25°C @ rated voltage 10 ⁷ Ω min. @ +85°C @ rated voltage

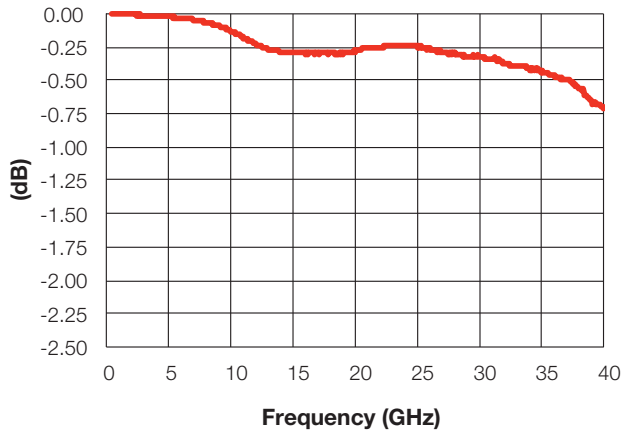
GF01ZD104KATD-15S



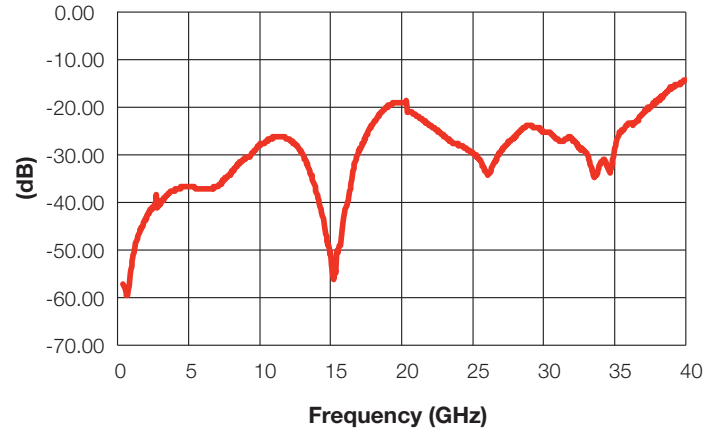
Broadband Multilayer Ceramic Capacitors

ELECTRICAL PERFORMANCE

Insertion Loss (S21)



Return Loss (S11)

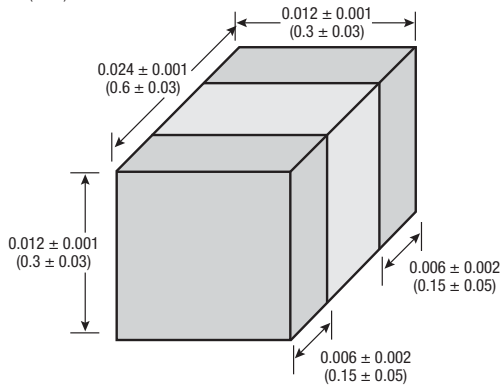


Test Parameters:

All testing performed on 10-mil-thick Rogers RO4350 microstrip board, with UUT subtending a 24 mil gap in a 22-mil-wide center trace (nominal 50Ω characteristic impedance). Measurements were made using an Anritsue 3680K Universal Test Fixture and an HP8722D Vector Network Analyzer having a four-receiver architecture. Measurements have been de-embedded to the edges of the UUT using a standard TRL calibration procedure.

MECHANICAL SPECIFICATIONS

inches (mm)



X-ON Electronics

Largest Supplier of Electrical and Electronic Components

Click to view similar products for [Multilayer Ceramic Capacitors MLCC - SMD/SMT category](#):

Click to view products by [Kyocera AVX manufacturer](#):

Other Similar products are found below :

[D55342E07B523DR-T/R](#) [NCA1206X7R104K16TRPF](#) [NIN-FB391JTRF](#) [NIN-FC2R7JTRF](#) [NMC0402NPO220J50TRPF](#)
[NMC0402X5R105K6.3TRPF](#) [NMC0402X5R224K6.3TRPF](#) [NMC0402X7R103J25TRPF](#) [NMC0402X7R153K16TRPF](#)
[NMC0402X7R392K50TRPF](#) [NMC0603NPO1R8C50TRPF](#) [NMC0603NPO201J50TRPF](#) [NMC0603NPO330G50TRPF](#)
[NMC0603NPO331F50TRPF](#) [NMC0603X5R475M6.3TRPF](#) [NMC0805NPO220J100TRPF](#) [NMC0805NPO270J50TRPF](#)
[NMC0805NPO681F50TRPF](#) [NMC0805NPO820J50TRPF](#) [NMC1206X7R102K50TRPF](#) [NMC1210Y5V105Z50TRPLPF](#) [NMC-](#)
[L0402NPO7R0C50TRPF](#) [NMC-L0603NPO2R2B50TRPF](#) [NMC-P1206X7R103K1KVTRPLPF](#) [NMC-Q0402NPO8R2D200TRPF](#)
[C1206C101J1GAC](#) [C1608C0G2A221J](#) [C1608X7R1E334K](#) [C2012C0G2A472J](#) [2220J2K00562KXT](#) [KHC201E225M76N0T00](#)
[1812J2K00332KXT](#) [CCR06CG153FSV](#) [CDR14BP471CJUR](#) [CDR31BX103AKWR](#) [CDR33BX683AKUS](#) [CGA2B2C0G1H010C](#)
[CGA2B2C0G1H040C](#) [CGA2B2C0G1H050C](#) [CGA2B2C0G1H060D](#) [CGA2B2C0G1H070D](#) [CGA2B2C0G1H120J](#) [CGA2B2C0G1H151J](#)
[CGA2B2C0G1H1R5C](#) [CGA2B2C0G1H2R2C](#) [CGA2B2C0G1H390J](#) [CGA2B2C0G1H391J](#) [CGA2B2C0G1H3R3C](#) [CGA2B2C0G1H680J](#)
[CGA2B2C0G1H6R8D](#)