

**Pb Free**

**RoHS Compliant**

**Features**

- Miniature ceramic package
- Highly reliable with seam welding
- CMOS output
- Supply voltage  $V_{DD}=3.3V$
- $\pm 25 \times 10^{-6}$  available

**Table 1**

Freq. Tol. Code	Freq. Tol. $\times 10^{-6}$	Operating Temperature Range (°C)	Note
0	$\pm 50$	-10 to +70	Standard specifications
S	$\pm 30$		
U	$\pm 25$	-40 to +85	With only certain frequencies
F	$\pm 100$		
G	$\pm 50$		

**How to Order**

KC7050C 25.0000 C 3 0 E 00  
 ① ② ③ ④ ⑤ ⑥ ⑦

- ① Type (7.0x5.0mm SMD)
- ② Output Frequency
- ③ Output Type (CMOS)
- ④ Supply Voltage (3.3V)
- ⑤ Frequency Tolerance (See Table 1)
- ⑥ Symmetry/ Enable Function  
(E: 45/55%, Stand-by) (D: 45/55%, Disable)
- ⑦ Customer Special Model Suffix  
(STD Specification is "00")

Packaging (Tape & Reel 1000pcs./reel)

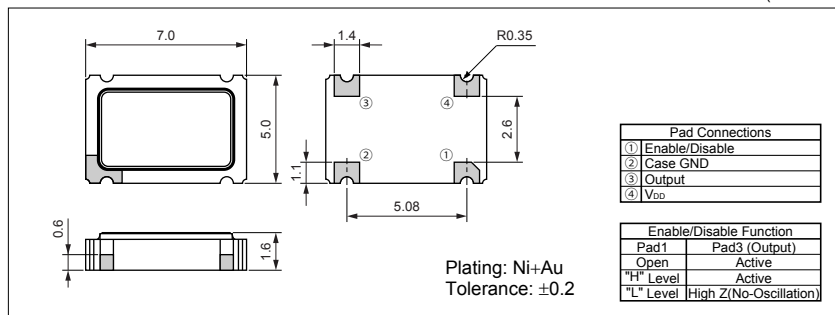
**Specifications**

Item	Symbol	Conditions	Min.	Max.	Units	
Output Frequency Range	Fo		1.5	80	MHz	
Frequency Tolerance	F <sub>tol</sub>	Initial tolerance, Operating temperature range, Rated power supply voltage change, Load change, Aging (1year @25°C), Shock and vibration	Op. Temp.: -40 to +85°C	-100	+100	$\times 10^{-6}$
			Op. Temp.: -10 to +70°C/ -40 to +85°C	-50	+50	
			Op. Temp.: -10 to +70°C/ -40 to +85°C	-30	+30	
			Op. Temp.: -10 to +70°C	-25	+25	
Storage Temperature Range	T <sub>stg</sub>		-55	+125	°C	
Operating Temperature Range	T <sub>use</sub>	Standard Specifications	-10	+70	°C	
		Extend (Option)	-40	+85		
Max. Supply Voltage	—		-0.5	+7	V	
Supply Voltage	V <sub>DD</sub>	Freq. Tol.Code: 0, S, F	2.97	3.63	V	
		Freq. Tol.Code: U, G	3.14	3.46		
Current Consumption (Maximum Loaded)	I <sub>DD</sub>	1.5 < Fo <= 20MHz	—	10	mA	
		20 < Fo <= 40MHz	—	15		
		40 < Fo <= 60MHz	—	20		
		60 < Fo <= 80MHz	—	30		
Stand-by/Disable Current	I <sub>std</sub> /I <sub>dis</sub>	1.5 < Fo <= 32MHz (Stand-by Function)	—	10	$\mu A$	
		32 < Fo <= 50MHz (Disable Function)	—	15	mA	
		50 < Fo <= 80MHz (Stand-by Function)	—	10	$\mu A$	
Symmetry	SYM	@50% V <sub>DD</sub>	45	55	%	
Rise/Fall Time (10% V <sub>DD</sub> to 90% V <sub>DD</sub> Maximum Loaded)	Tr/Tf	1.5 < Fo <= 26MHz	—	10	nS	
		26 < Fo <= 45MHz	—	8		
		45 < Fo <= 80MHz	—	5		
Output Voltage-"L"	V <sub>OL</sub>	I <sub>OL</sub> =8mA	—	10% V <sub>DD</sub>	V	
Output Voltage-"H"	V <sub>OH</sub>	I <sub>OH</sub> =-8mA	90% V <sub>DD</sub>	—	V	
Output Load	L <sub>CMOS</sub>	CMOS Output	—	15	pF	
Input Voltage Range	V <sub>IN</sub>		0	V <sub>DD</sub>	V	
Input Voltage-"L"	V <sub>IL</sub>		—	30% V <sub>DD</sub>	V	
Input Voltage-"H"	V <sub>IH</sub>		70% V <sub>DD</sub>	—	V	
Disable Time	—	1.5 < Fo <= 32MHz (Stand-by Function)	—	150	nS	
		32 < Fo <= 50MHz (Disable Function)	—	5	mS	
		50 < Fo <= 80MHz (Stand-by Function)	—	150	nS	
Enable Time	—	1.5 < Fo <= 32MHz (Stand-by Function)	—	5	mS	
		32 < Fo <= 50MHz (Disable Function)	—	150	nS	
		50 < Fo <= 80MHz (Stand-by Function)	—	5	mS	
Start-up Time	ST	@ Minimum Operation Voltage to be 0 sec.	—	10	mS	

Note: All electrical characteristics are defined at the maximum load and operating temperature range.  
 Please contact us for inquiries about operating temperature range, available frequencies and other conditions.

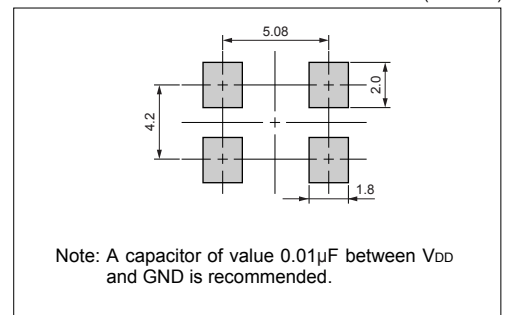
**Dimensions**

(Unit : mm)



**Recommended Land Pattern**

(Unit : mm)



## X-ON Electronics

Largest Supplier of Electrical and Electronic Components

*Click to view similar products for [Standard Clock Oscillators](#) category:*

*Click to view products by [Kyocera AVX](#) manufacturer:*

Other Similar products are found below :

[601252](#) [F335-25](#) [F535L-33.333](#) [F535L-50](#) [ECS-2018-160-BN-TR](#) [MXO45HS-2C-66.6666MHZ](#) [SiT1602BI-22-33E-50.000000E](#) [SiT8209AI-32-33E-125.000000](#) [SIT8918AA-11-33S-50.000000G](#) [SM4420TEV-40.0M-T1K](#) [F335-24](#) [F335-40](#) [F535L-10](#) [F535L-12](#) [F535L-16](#) [F535L-24](#) [F535L-27](#) [F535L-48](#) [PE7744DW-100.0M](#) [CSX-750FCC14745600T](#) [ASF1-3.686MHZ-N-K-S](#) [XO57CTECNA3M6864](#) [ECS-2100A-147.4](#)  
[601251](#) [EP16E7E2H26.000MTR](#) [SIT8918AA-11-33S-16.000000G](#) [XO3003](#) [9120AC-2D2-33E212.500000](#) [9102AI-243N25E100.00000](#)  
[8208AC-82-18E-25.00000](#) [ASDK2-32.768KHZ-LR-T3](#) [8008AI-72-XXE-24.545454E](#) [8004AC-13-33E-133.33000X](#) [AS-4.9152-16-SMD-TR](#)  
[ASFL1-48.000MHZ-LC-T](#) [SIT8920AM-31-33E-25.0000](#) [DSC1028DI2-019.2000](#) [9121AC-2C3-25E100.00000](#) [9102AI-233N33E100.00000X](#)  
[9102AI-233N25E200.00000](#) [9102AI-232H25S125.00000](#) [9102AI-133N25E200.00000](#) [9102AC-283N25E200.00000](#) [9001AC-33-33E1-30.000](#)  
[3921AI-2CF-33NZ125.000000](#) [5730-1SF](#) [PXA000010](#) [8003AI-12-33S-40.00000Y](#) [1602BI-13-33S-19.200000E](#) [8208AI-2F-18E-25.000000X](#)