



CMOS/ 3.3V Typ./ 3.2x1.5mm



AEC-Q200 RoHS Compliant

**Features**

- Output frequency: 32.768kHz
- Miniature and Low profile ceramic package
- Wide operating voltage range 1.5V to 3.6V
- CMOS output
- Operating Temp. -40 to +105°C (option)
- Vio controls amplitude.

**Applications**

- W-LAN etc.

**How to Order**

KC3215A 32768 C 33 A A E 00  
① ② ③ ④ ⑤ ⑥ ⑦ ⑧

- ① Series
- ② Output Frequency
- ③ Output type
- ④ Supply Voltage
- ⑤ Frequency Tolerance
- ⑥ Freq. Temp. Chrst.
- ⑦ Output Waveform Symmetric
- ⑧ Individual Specification

Packaging (Tape & Reel 3000 pcs./ reel)

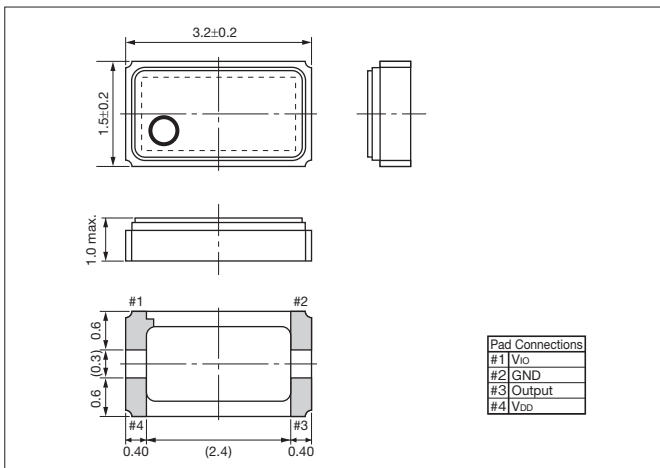
**Specifications**

Item	Symbol	Conditions	Specifications			Units
			Min.	Typ.	Max.	
Output Frequency Range	fo	Standard Frequency	—	32.768	—	kHz
Frequency Tolerance	f <sub>tol</sub>	after 2times Reflow, V <sub>CC</sub> =3.3V, Ta=25±2°C	-18	+5	+28	×10 <sup>-6</sup>
Frequency Temperature Characteristics	fo-Tc	Ta=-20 to +70°C (+25°C is reference)	-120	—	+10	×10 <sup>-6</sup>
Frequency Voltage Coefficient	fo-V	Ta=+25±2°C	-2.0	—	2.0	×10 <sup>-6</sup> /V
Frequency Aging	F <sub>age</sub>	Per Year	-3.0	—	3.0	×10 <sup>-6</sup>
Storage Temperature	T <sub>stg</sub>		-55	—	+125	°C
Operating Temperature	T <sub>use</sub>		-40	—	+85	°C
Supply Voltage	V <sub>DD</sub>		1.5	—	3.6	V
Interface Power Supply Voltage	V <sub>IO</sub>		1.5	—	3.6	V
Current Consumption	I <sub>CC</sub>	No load, V <sub>DD</sub> =3.3V, V <sub>IO</sub> =3.3V	—	0.9	1.5	μA
		load: 15pF, V <sub>DD</sub> =3.3V, V <sub>IO</sub> =3.3V	—	2.2	4.2	μA
Symmetry	SYM	@50% V <sub>IO</sub>	45	—	55	%
Rise/ Fall Time	Tr/ Tf	load: 15pF, 20%V <sub>IO</sub> to 80%V <sub>IO</sub>	—	—	50	ns
Low Output Voltage	V <sub>OL</sub>	I <sub>OL</sub> =+0.4mA	—	—	0.4	V
High Output Voltage	V <sub>OH</sub>	I <sub>OH</sub> =-0.4mA	V <sub>IO</sub> -0.4	—	—	V
CMOS Load	L <sub>CMOS</sub>	CMOS Output	—	—	15	pF
Disable Delay Time	t <sub>dis</sub>		—	—	1.0	μs
Start-up Time	t <sub>str</sub>	Time at minimum Supply voltage to be 0 s	—	—	0.6	sec

\* Unless otherwise stated, characteristics(specifications) shown in the above table are based on the rated operating temperature and voltage condition.  
\* Please contact us for other specifications.

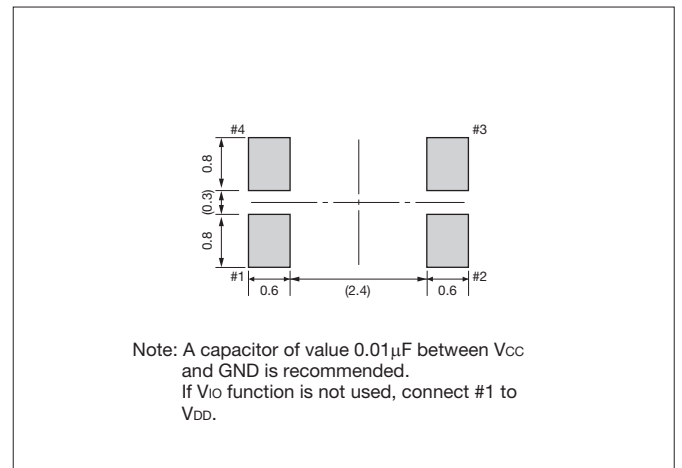
**Dimensions**

(Unit: mm)



**Recommended Land Pattern**

(Unit: mm)



## X-ON Electronics

Largest Supplier of Electrical and Electronic Components

*Click to view similar products for [Standard Clock Oscillators](#) category:*

*Click to view products by [Kyocera AVX](#) manufacturer:*

Other Similar products are found below :

[601252](#) [F335-25](#) [F535L-33.333](#) [F535L-50](#) [ECS-2018-160-BN-TR](#) [MXO45HS-2C-66.6666MHZ](#) [SiT1602BI-22-33E-50.000000E](#) [SiT8209AI-32-33E-125.000000](#) [SIT8918AA-11-33S-50.000000G](#) [SM4420TEV-40.0M-T1K](#) [F335-24](#) [F335-40](#) [F535L-10](#) [F535L-12](#) [F535L-16](#) [F535L-24](#) [F535L-27](#) [F535L-48](#) [PE7744DW-100.0M](#) [CSX-750FCC14745600T](#) [ASF1-3.686MHZ-N-K-S](#) [XO57CTECNA3M6864](#) [ECS-2100A-147.4](#) [601251](#) [EP16E7E2H26.000MTR](#) [SIT8918AA-11-33S-16.000000G](#) [XO3003](#) [9120AC-2D2-33E212.500000](#) [9102AI-243N25E100.00000](#) [8208AC-82-18E-25.00000](#) [ASDK2-32.768KHZ-LR-T3](#) [8008AI-72-XXE-24.545454E](#) [8004AC-13-33E-133.33000X](#) [AS-4.9152-16-SMD-TR](#) [ASFL1-48.000MHZ-LC-T](#) [SIT8920AM-31-33E-25.0000](#) [DSC1028DI2-019.2000](#) [9121AC-2C3-25E100.00000](#) [9102AI-233N33E100.00000X](#) [9102AI-233N25E200.00000](#) [9102AI-232H25S125.00000](#) [9102AI-133N25E200.00000](#) [9102AC-283N25E200.00000](#) [9001AC-33-33E1-30.000](#) [3921AI-2CF-33NZ125.000000](#) [5730-1SF](#) [PXA000010](#) [8003AI-12-33S-40.00000Y](#) [1602BI-13-33S-19.200000E](#) [8208AI-2F-18E-25.000000X](#)