

Pb Free

RoHS Compliant

Features

- Miniature ceramic package
- Highly reliable with seam welding
- CMOS output
- Supply voltage $V_{DD}=5.0V$
- $\pm 25 \times 10^{-6}$ available

How to Order

KC7050C 25.0000 C 5 0 D 00
 ① ② ③ ④ ⑤ ⑥ ⑦

- ① Type (7.0×5.0mm SMD)
- ② Output Frequency
- ③ Output Type (CMOS)
- ④ Supply Voltage (5.0V)
- ⑤ Frequency Tolerance (See Table 1)
- ⑥ Symmetry/ Enable Function (45/55%, Disable)
- ⑦ Customer Special Model Suffix (STD Specification is "00")

Packaging (Tape & Reel 1000pcs./reel)

Table 1

Freq. Tol. Code	Freq. Tol. $\times 10^{-6}$	Operating Temperature Range (°C)	Note
0	± 50	-10 to +70	Standard specifications
S	± 30		
U	± 25		
F	± 100	-40 to +85	With only certain frequencies
G	± 50		

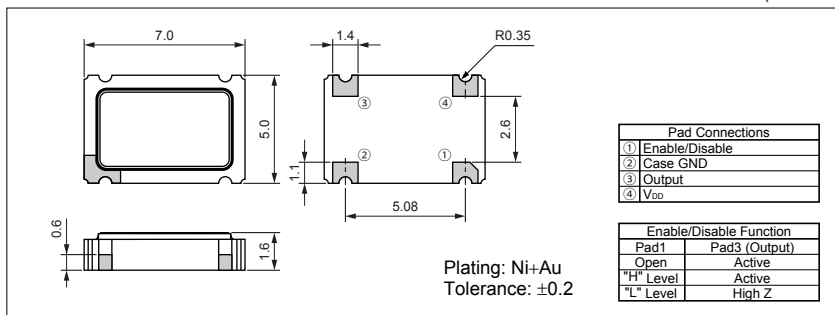
Specifications

Item	Symbol	Conditions	Min.	Max.	Units	
Output Frequency Range	Fo		1.5	68	MHz	
Frequency Tolerance	F _{tol}	Initial tolerance, Operating temperature range, Rated power supply voltage change, Load change, Aging (1year @25°C), Shock and vibration	Op. Temp.: -40 to +85°C	-100	+100	$\times 10^{-6}$
			Op. Temp.: -10 to +70°C/ -40 to +85°C	-50	+50	
			Op. Temp.: -10 to +70°C/ -40 to +85°C	-30	+30	
			Op. Temp.: -10 to +70°C	-25	+25	
Storage Temperature Range	T _{stg}		-55	+125	°C	
Operating Temperature Range	T _{use}	Standard Specifications	-10	+70	°C	
		Extend (Option)	-40	+85		
Max. Supply Voltage	—		-0.5	+7	V	
Supply Voltage	V _{DD}	Freq. Tol.Code: 0, S, F	4.5	5.5	V	
		Freq. Tol.Code: U, G	4.75	5.25		
Current Consumption (Maximum Loaded)	I _{DD}	1.5<Fo≤20MHz	—	25	mA	
		20<Fo≤40MHz	—	35		
		40<Fo≤68MHz	—	50		
Disable Current	I _{dis}		—	30	mA	
Symmetry	SYM	@50% V _{DD}	45	55	%	
Rise/Fall Time (10% V _{DD} to 90% V _{DD} Maximum Loaded)	Tr/Tf	1.5<Fo≤26MHz	—	10	nS	
		26<Fo≤50MHz	—	8		
		50<Fo≤68MHz	—	5		
Output Voltage-"L"	V _{OL}	I _{OL} =16mA	—	10% V _{DD}	V	
Output Voltage-"H"	V _{OH}	I _{OH} =-16mA	90% V _{DD}	—	V	
Output Load	L _{CMOS}	CMOS Output	1.5<Fo≤50MHz	—	50	pF
			50<Fo≤68MHz	—	15	
Input Voltage Range	V _{IN}		0	V _{DD}	V	
Input Voltage-"L"	V _{IL}		—	0.8	V	
Input Voltage-"H"	V _{IH}		2.2	—	V	
Disable Time	—		—	100	nS	
Enable Time	—		—	100	mS	
Start-up Time	ST	@ Minimum Operation Voltage to be 0 sec.	—	10	mS	

Note: All electrical characteristics are defined at the maximum load and operating temperature range. Please contact us for inquiries about operating temperature range, available frequencies and other conditions.

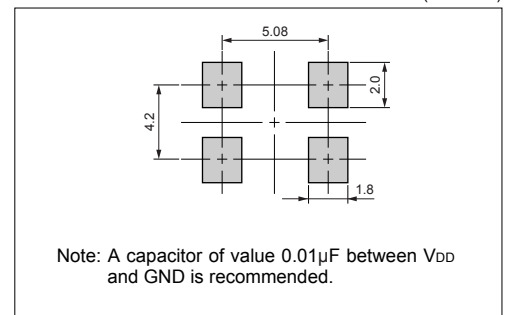
Dimensions

(Unit : mm)



Recommended Land Pattern

(Unit : mm)



X-ON Electronics

Largest Supplier of Electrical and Electronic Components

Click to view similar products for [Standard Clock Oscillators](#) category:

Click to view products by [Kyocera AVX](#) manufacturer:

Other Similar products are found below :

[601252](#) [F335-25](#) [F535L-33.333](#) [F535L-50](#) [ECS-2018-160-BN-TR](#) [MXO45HS-2C-66.6666MHZ](#) [SiT1602BI-22-33E-50.000000E](#) [SiT8209AI-32-33E-125.000000](#) [SIT8918AA-11-33S-50.000000G](#) [SM4420TEV-40.0M-T1K](#) [F335-24](#) [F335-40](#) [F535L-10](#) [F535L-12](#) [F535L-16](#) [F535L-24](#) [F535L-27](#) [F535L-48](#) [PE7744DW-100.0M](#) [CSX-750FCC14745600T](#) [ASF1-3.686MHZ-N-K-S](#) [XO57CTECNA3M6864](#) [ECS-2100A-147.4](#)
[601251](#) [EP16E7E2H26.000MTR](#) [SIT8918AA-11-33S-16.000000G](#) [XO3003](#) [9120AC-2D2-33E212.500000](#) [9102AI-243N25E100.00000](#)
[8208AC-82-18E-25.00000](#) [ASDK2-32.768KHZ-LR-T3](#) [8008AI-72-XXE-24.545454E](#) [8004AC-13-33E-133.33000X](#) [AS-4.9152-16-SMD-TR](#)
[ASFL1-48.000MHZ-LC-T](#) [SIT8920AM-31-33E-25.0000](#) [DSC1028DI2-019.2000](#) [9121AC-2C3-25E100.00000](#) [9102AI-233N33E100.00000X](#)
[9102AI-233N25E200.00000](#) [9102AI-232H25S125.00000](#) [9102AI-133N25E200.00000](#) [9102AC-283N25E200.00000](#) [9001AC-33-33E1-30.000](#)
[3921AI-2CF-33NZ125.000000](#) [5730-1SF](#) [PXA000010](#) [8003AI-12-33S-40.00000Y](#) [1602BI-13-33S-19.200000E](#) [8208AI-2F-18E-25.000000X](#)