

Temperature Compensated Crystal Oscillators (TCXO, VCTCXO) Surface Mount Type TCXO (LSI Type) KT2016 Series



2.0×1.6mm



RoHS Compliant

Features

- Miniature SMD type (2.0×1.6×0.8mm)
- Freq. temp. characteristics.
: $\pm 2.0 \times 10^{-6}$ / -30 to +85°C
: $\pm 0.5 \times 10^{-6}$ / -30 to +85°C (for GPS)
- 1.68 to 3.63V available
- Reflow compatible
- Operating Temp. -40 to +105°C (Option)
- Ultra low supply current 800μA typ.
Conditions of 26MHz and 1.0Vp-p (Option)
- AEC-Q200 qualified
- AEC-Q100 qualified (Option)

Applications

- Mobile Communications, W-LAN
- Low power radio communications
- GPS Unit

How to Order

KT2016K 26000 A C W 18 T xx
① ② ③ ④ ⑤ ⑥ ⑦ ⑧

① Series

② Output Frequency

③ Freq. Temp. Chrst.

A	$\pm 0.5 \times 10^{-6}$
B	$\pm 1.0 \times 10^{-6}$
C	$\pm 1.5 \times 10^{-6}$
D	$\pm 2.0 \times 10^{-6}$

④ Lower Operating Temp.

C	-30°C
E	-20°C
G	-10°C

⑤ Upper Operating Temp.

W	+85°C
V	+80°C
U	+75°C

⑥ Supply Voltage

18	1.8V	28	2.8V
30	3.0V	33	3.3V

⑦ Voltage Control Function

T	TCXO
Other*	VCTCXO

* Customer Spec.

⑧ Option Code

Packaging (Tape & Reel 15000 pcs./ reel)

Specifications

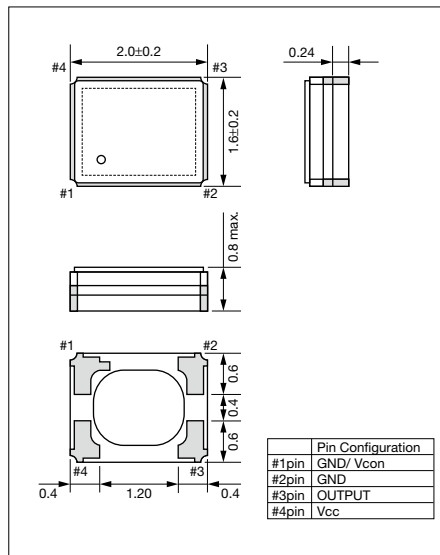
Item	Symbol	Conditions	Min.	Max.	Units
Output Frequency Range	f_o		10	52	MHz
Frequency Tolerance	f_{tol}	vs Temperature	-0.5/ -2	+0.5/ +2	$\times 10^{-6}$
		vs Load	-0.2	+0.2	
		vs Voltage	-0.2	+0.2	
Frequency Aging	f_{age}	Per Year	-1	+1	$\times 10^{-6}$
Storage Temperature Range	T_{stg}		-40	+85	°C
Operating Temperature Range	T_{use}		-30	+85	°C
Voltage Control Range	f_{cont}	Positive	± 8	± 15	$\times 10^{-6}$
Supply Voltage	V_{cc}		1.68	3.63	V
Output Level	V_{pp}	Clipped Sine*, Load: 10k ohm // 10pF	0.8	—	Vp-p
Current Consumption	I_{cc}		—	2	mA
Harmonics	—		—	-5	dBc

* : A DC-cut capacitor is not embedded in this crystal oscillator. Connect a DC-cut capacitor ($\geq 1nF$) to the line-out terminal of the oscillator.

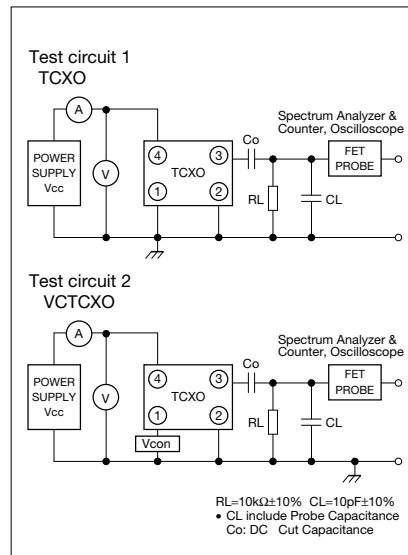
* Please contact us for other specifications.

Dimensions

(Unit: mm)

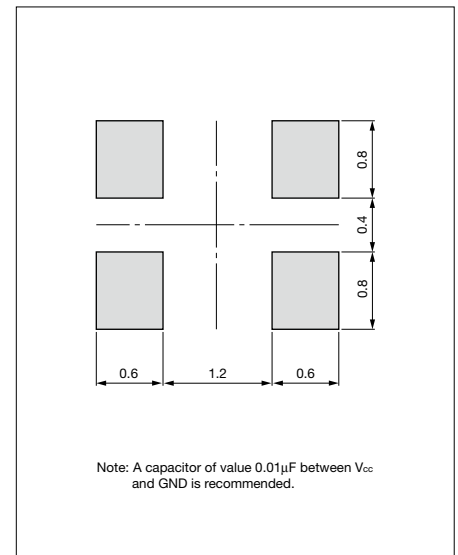


Test Circuit



Recommended Land Pattern

(Unit: mm)



X-ON Electronics

Largest Supplier of Electrical and Electronic Components

Click to view similar products for [TCXO Oscillators](#) category:

Click to view products by [Kyocera AVX](#) manufacturer:

Other Similar products are found below :

[SiT5000AI-3D-33E0-10.000000X](#) [THD3031035LK280005-10.0M](#) [AST3TDATAACJ5-10.0000MHz](#) [AST3TDATAACJ5-20.0000MHz](#)
[AST3TDA53TACJ2-19.2000MHz](#) [AST3TDA53TACJ2-38.8800MHz](#) [AST3TDATAACJ5-19.2000MHz](#) [AST3TDATAACJ5-38.8800MHz](#)
[SiT5155AI-FK-33E0-10.000000F](#) [CVT32-10.000](#) [SIT5356AI-FQ-33E0-25.000000X](#) [SIT5357AI-FQ-33N0-100.000000X](#) [DS32KHZSN+T&R](#)
[XTCLH25M000THJA0P0](#) [LFTCXO075793Cutt](#) [LFPTXO000002Bulk](#) [AST3TQ53-T-10.000MHz-5-C](#) [ATX-11-F-26.000MHz-F05-T](#) [ATX-](#)
[11-F-27.000MHz-F05-T](#) [ATX-12-F-32.000MHz-F05-T](#) [ATX-13-F-26.000MHz-F05-T](#) [I538-2O7- 25.000 MHz](#) [I537-2O7- 39.000 MHz](#) [I537-](#)
[2O7- 25.000 MHz](#) [ECS-TXO-2016-33-320-TR](#) [ECS-TXO-2016-33-120-TR](#) [ECS-TXO-2016-33-250-TR](#) [ECS-TXO-2016-33-200-TR](#) [ECS-](#)
[TXO-20CSMV-AC-260-AY-TR](#) [TG2016SMN 26.0000M-MCGNNM0](#) [TG2016SMN 25.0000M-MCGNNM0](#) [TG2016SMN 25.0000M-](#)
[MCGNNM3](#) [TG2520SMN 16.0000M-MCGNNM0](#) [TG2520SMN 25.0000M-MCGNNM0](#) [TG2520SMN 40.0000M-ECGNNM0](#) [TG2520SMN](#)
[24.0000M-ECGNNM0](#) [TG2520SMN 20.0000M-MCGNNM0](#) [TG2520SMN 30.0000M-ECGNNM0](#) [TG2520SMN 30.000M-MCGNNM0](#)
[TG2520SMN 27.0000M-MCGNNM3](#) [TG2520SMN 32.0000M-MCGNNM3](#) [TG2520SMN 32.0000M-ECGNNM3](#) [LFPTXO000001Bulk](#)
[LFTCXO063711BULK](#) [LFTCXO063713BULK](#) [LFTCXO063715BULK](#) [LFTCXO063780BULK](#) [LFTCXO070027Cutt](#) [LFTCXO070028Cutt](#)
[LFTCXO070033Cutt](#)