

Thin-Film RF/Microwave Filters

1206 High Performance Low Pass 8W

LP1206A0700ASTR – SMD Termination

ITF TECHNOLOGY

The ITF SMD Filter is based on thin-film multilayer technology. The technology provides a miniature part with excellent high frequency performance and rugged construction for reliable automatic assembly.

The ITF Filter is offered in a variety of frequency bands compatible with various types of high frequency wireless systems.

FEATURES

- Small size: 1206
- Frequency: 700MHz
- Sharp attenuation slope
- Characteristic impedance: 50ohm
- Operating/Storage temp: -40°C – +85°C
- Low profile
- Rugged construction
- Taped and reeled
- Power handling: 8W

APPLICATIONS

- Mobile communications
- Satellite TV receivers
- GPS
- Vehicle location systems
- Wireless LAN's

FINAL QUALITY INSPECTION

Finished parts are 100% tested for electrical parameters and visual/mechanical characteristics. Each production lot is evaluated on a sample basis for:

- Static Humidity: 85°C, 85% RH, 160 hours
- Endurance : 125°C, IR, 4 hours

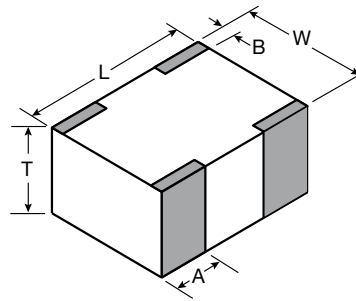
TERMINATION

Nickel/ Lead free Solder coating (Sn100) compatible with automatic soldering technologies: reflow, wave soldering, vapor phase and manual.

HOW TO ORDER

LP **1206** **A** **0700** **A** **S** **TR**
 Series Size Type Frequency (MHz) Sub-Type Termination Taped & Reeled

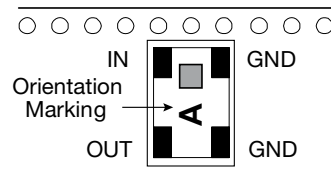
DIMENSIONS (TOP VIEW)



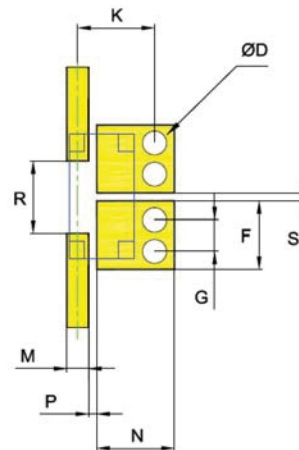
mm (inches)

L	3.08±0.1 (0.121±0.004)
W	1.60±0.1 (0.063±0.004)
T	0.87±0.1 (0.034±0.004)
A	0.61±0.25 (0.028±0.010)
B	0.35±0.15 (0.014±0.006)

TERMINAL AND LAYOUT (TOP VIEW)



RECOMMENDED PAD LAYOUT



mm (inches)

F	1.70±0.05 (0.067±0.002)
G	0.78±0.05 (0.031±0.002)
K	1.91±0.10 (0.075±0.004)
M	0.54±0.025 (0.021±0.001)
N	1.93±0.05 (0.076±0.002)
P	0.21±0.04 (0.008±0.002)
R	1.80±0.04 (0.071±0.002)
S	0.20±0.04 (0.008±0.002)
D	0.60±0.10 (0.024±0.004)

Thin-Film RF/Microwave Filters

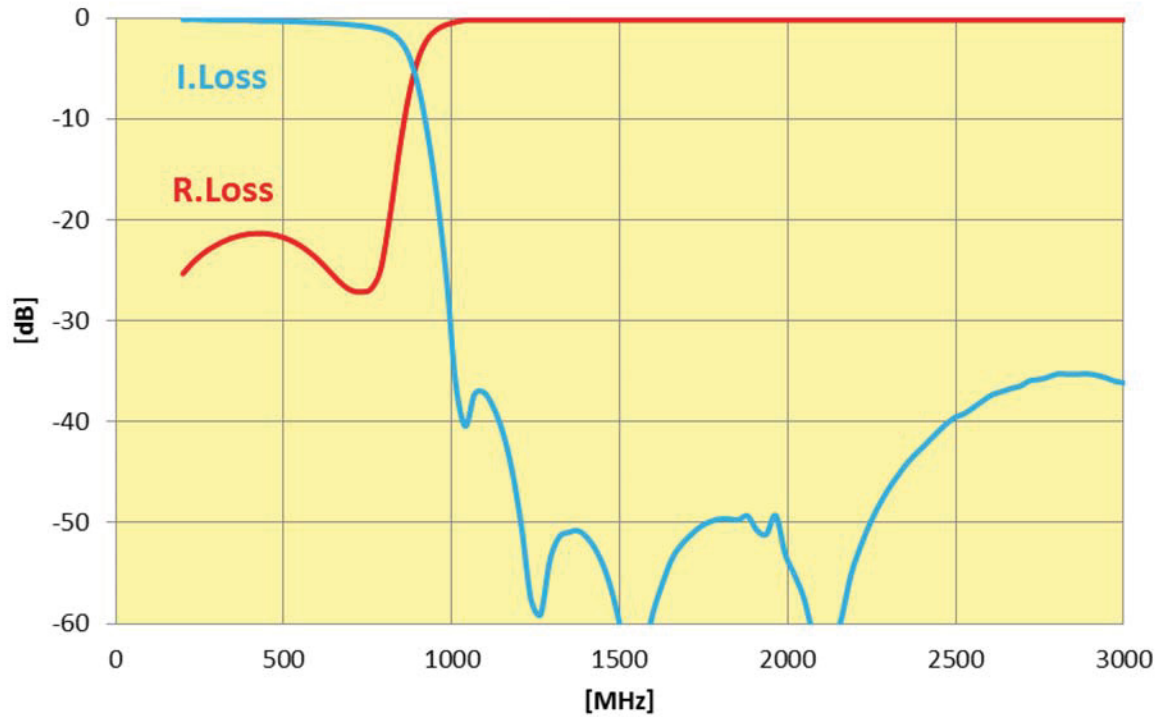
1206 High Performance Low Pass 8W

LP1206A0700ASTR – SMD Termination

ELECTRICAL CHARACTERISTICS

P/N	I.Loss @ 700MHz	R.Loss @ 700MHz	Attenuation
LP1206A0700ASTR	0.8dB max.	-20dB	-20dB at 980MHz -45dB at 1400MHz -45dB at 2100MHz -30dB at 2800MHz

TYPICAL ELECTRICAL PERFORMANCE



Thin-Film RF/Microwave Filters

1206 High Performance Low Pass 8W

LP1206A0860ASTR – SMD Termination

ITF TECHNOLOGY

The ITF SMD Filter is based on thin-film multilayer technology. The technology provides a miniature part with excellent high frequency performance and rugged construction for reliable automatic assembly.

The ITF Filter is offered in a variety of frequency bands compatible with various types of high frequency wireless systems.

FEATURES

- Small size: 1206
- Frequency: 860MHz
- Sharp attenuation slope
- Characteristic impedance: 50ohm
- Operating/Storage temp: -40°C – +85°C
- Low profile
- Rugged construction
- Taped and reeled
- Power handling: 8W

APPLICATIONS

- Mobile communications
- Satellite TV receivers
- GPS
- Vehicle location systems
- Wireless LAN's

FINAL QUALITY INSPECTION

Finished parts are 100% tested for electrical parameters and visual/mechanical characteristics. Each production lot is evaluated on a sample basis for:

- Static Humidity: 85°C, 85% RH, 160 hours
- Endurance : 125°C, IR, 4 hours

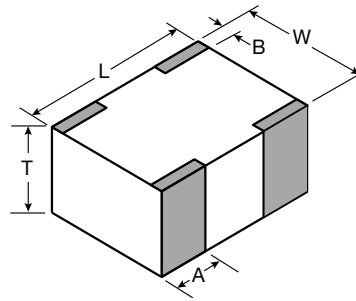
TERMINATION

Nickel/ Lead free Solder coating (Sn100) compatible with automatic soldering technologies: reflow, wave soldering, vapor phase and manual.

HOW TO ORDER

LP	1206	A	0860	A	S	TR
Series	Size	Type	Frequency (MHz)	Sub-Type	Termination	Taped & Reeled

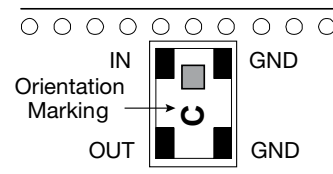
DIMENSIONS (TOP VIEW)



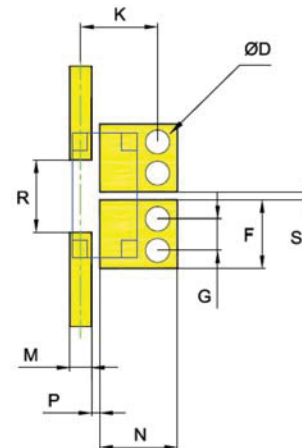
mm (inches)

L	3.08±0.1 (0.121±0.004)
W	1.60±0.1 (0.063±0.004)
T	0.87±0.1 (0.034±0.004)
A	0.61±0.25 (0.028±0.010)
B	0.35±0.15 (0.014±0.006)

TERMINAL AND LAYOUT (TOP VIEW)



RECOMMENDED PAD LAYOUT



mm (inches)

F	1.70±0.05 (0.067±0.002)
G	0.78±0.05 (0.031±0.002)
K	1.91±0.10 (0.075±0.004)
M	0.54±0.025 (0.021±0.001)
N	1.93±0.05 (0.076±0.002)
P	0.21±0.04 (0.008±0.002)
R	1.80±0.04 (0.071±0.002)
S	0.20±0.04 (0.008±0.002)
D	0.60±0.10 (0.024±0.004)

Thin-Film RF/Microwave Filters

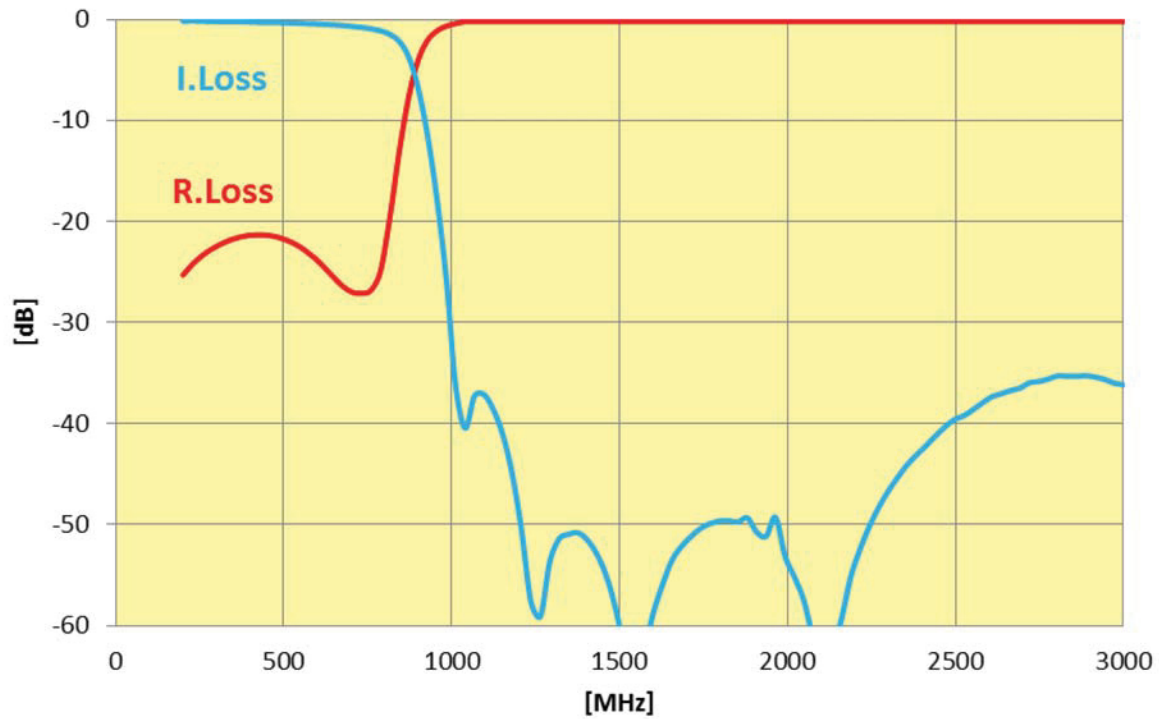
1206 High Performance Low Pass 8W

LP1206A0860ASTR – SMD Termination

ELECTRICAL CHARACTERISTICS

P/N	I.Loss @ 860MHz	R.Loss @ 860MHz	Attenuation
LP1206A0860ASTR	0.85dB max.	-18dB	-25dB at 1204MHz -45dB at 1720MHz -45dB at 2580MHz -30dB at 3440MHz

TYPICAL ELECTRICAL PERFORMANCE



Thin-Film RF/Microwave Filters

1206 High Performance Low Pass 8W

LP1206A1000ASTR – SMD Termination

ITF TECHNOLOGY

The ITF SMD Filter is based on thin-film multilayer technology. The technology provides a miniature part with excellent high frequency performance and rugged construction for reliable automatic assembly.

The ITF Filter is offered in a variety of frequency bands compatible with various types of high frequency wireless systems.

FEATURES:

- Small size: 1206
- Frequency: 1000MHz
- Sharp attenuation slope
- Characteristic impedance: 50Ω
- Operating / Storage temp: -40°C ÷ +85°C
- Low profile
- Rugged construction
- Taped and reeled
- Power handling: 8W

APPLICATIONS:

- Mobile communications
- Satellite TV receivers
- GPS
- Vehicle location systems
- Wireless LAN's

FINAL QUALITY INSPECTION:

Finished parts are 100% tested for electrical parameters and visual/mechanical characteristics. Each production lot is evaluated on a sample basis for:

- Static Humidity: 85°C, 85% RH, 160 hours
- Endurance : 125°C, IR, 4 hours

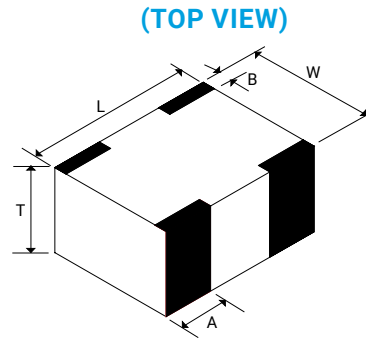
TERMINATION:

Nickel/ Lead-Free Solder coating (Sn100) compatible with automatic soldering technologies: reflow, wave soldering, vapor phase and manual.

PART NUMBER CODE:

LP 1206 A XXXX ASTR
Frequency
(MHz)

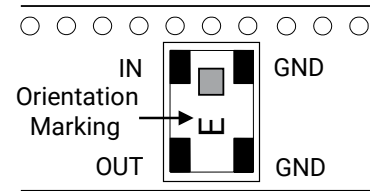
DIMENSIONS



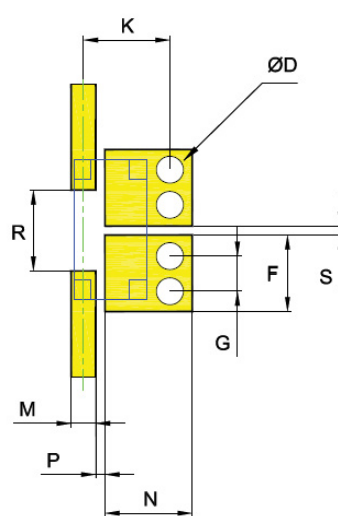
mm (inches)

L	3.08±0.1 (0.121±0.004)
W	1.60±0.1 (0.063±0.004)
T	0.87±0.1 (0.034±0.004)
A	0.61±0.25 (0.028±0.010)
B	0.35±0.15 (0.014±0.006)

TERMINALS (TOP VIEW)



RECOMMENDED PAD LAYOUT



(mm)

F	1.70±0.05
G	0.78±0.05
K	1.91±0.10
M	0.54±0.025
N	1.93±0.05
P	0.21±0.04
R	1.80±0.04
S	0.20±0.04
D	0.6±0.1

Thin-Film RF/Microwave Filters

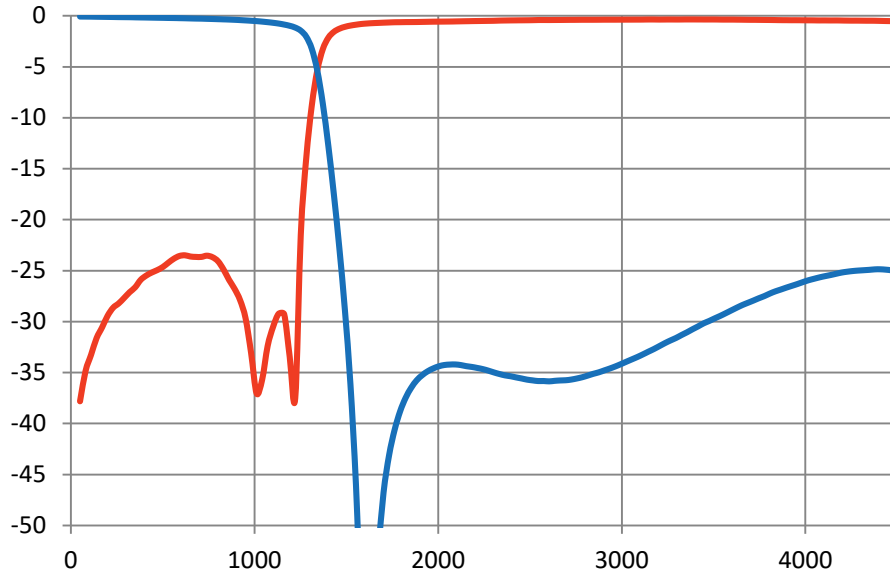
1206 High Performance Low Pass 8W

LP1206A1000ASTR – SMD Termination



ELECTRICAL CHARACTERISTICS

P/N	I.Loss @ 1000MHz	R.Loss @ 1000MHz	ATTENUATION [min.]
LP1206A1000ASTR	0.7dB max.	-15dB	-30dB at 1500-2000MHz -25dB at 2000-3000MHz -25dB at 3000-4000MHz



Thin-Film RF/Microwave Filters

1206 High Performance Low Pass 8W

LP1206A1500ASTR – SMD Termination

ITF TECHNOLOGY

The ITF SMD Filter is based on thin-film multilayer technology. The technology provides a miniature part with excellent high frequency performance and rugged construction for reliable automatic assembly.

The ITF Filter is offered in a variety of frequency bands compatible with various types of high frequency wireless systems.

FEATURES:

- Small size: 1206
- Frequency: 1500MHz
- Sharp attenuation slope
- Characteristic impedance: 50Ohm
- Operating / Storage temp: -40°C ÷ +85°C
- Low profile
- Rugged construction
- Taped and reeled
- Power handling: 8W

APPLICATIONS:

- Mobile communications
- Satellite TV receivers
- GPS
- Vehicle location systems
- Wireless LAN's

FINAL QUALITY INSPECTION:

Finished parts are 100% tested for electrical parameters and visual/mechanical characteristics. Each production lot is evaluated on a sample basis for:

- Static Humidity: 85°C, 85% RH, 160 hours
- Endurance : 125°C, IR, 4 hours

TERMINATION:

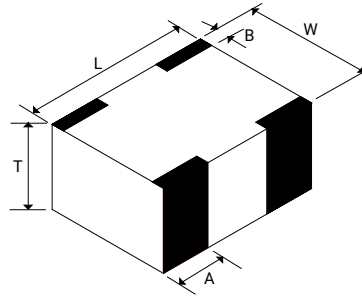
Nickel/ Lead-Free Solder coating (Sn100) compatible with automatic soldering technologies: reflow, wave soldering, vapor phase and manual.

PART NUMBER CODE:

LP 1206 A XXXX ASTR

Frequency
(MHz)

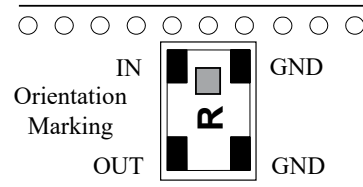
DIMENSIONS (TOP VIEW)



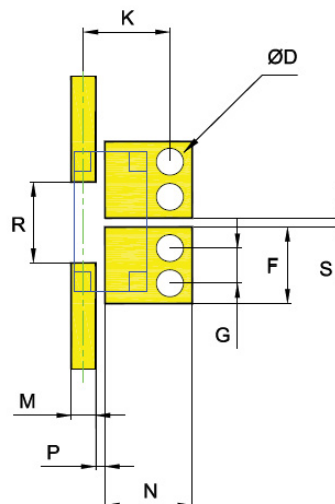
mm (inches)

L	3.08±0.1 (0.121±0.004)
W	1.60±0.1 (0.063±0.004)
T	0.87±0.1 (0.034±0.004)
A	0.61±0.25 (0.028±0.010)
B	0.35±0.15 (0.014±0.006)

TERMINALS (TOP VIEW)



RECOMMENDED PAD LAYOUT



(mm)

F	1.70±0.05
G	0.78±0.05
K	1.91±0.10
M	0.54±0.025
N	1.93±0.05
P	0.21±0.04
R	1.80±0.04
S	0.20±0.04
D	0.6±0.1

Thin-Film RF/Microwave Filters

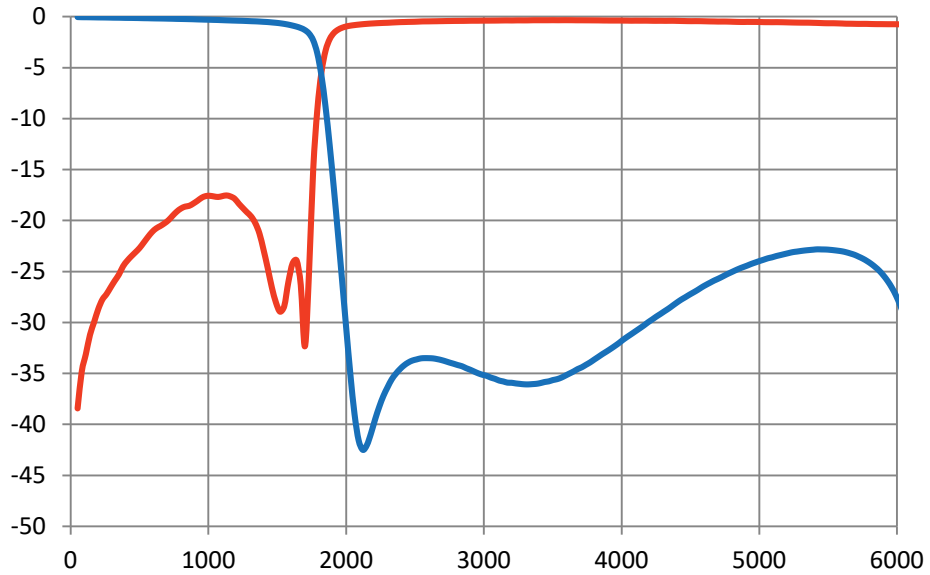
1206 High Performance Low Pass 8W

LP1206A1500ASTR – SMD Termination



ELECTRICAL CHARACTERISTICS

P/N	I.Loss @ 1500MHz	R.Loss @ 1500MHz	ATTENUATION [min.]
LP1206A1500ASTR	0.8dB max.	-15dB	-30dB at 2000-3000MHz -25dB at 3000-4000MHz -20dB at 4500-6000MHz



Thin-Film RF/Microwave Filters

1206 High Performance Low Pass 8W

LP1206A2000ASTR – SMD Termination

ITF TECHNOLOGY

The ITF SMD Filter is based on thin-film multilayer technology. The technology provides a miniature part with excellent high frequency performance and rugged construction for reliable automatic assembly.

The ITF Filter is offered in a variety of frequency bands compatible with various types of high frequency wireless systems.

FEATURES:

- Small size: 1206
- Frequency: 2000MHz
- Sharp attenuation slope
- Characteristic impedance: 50Ω
- Operating / Storage temp: -40°C ÷ +85°C
- Low profile
- Rugged construction
- Taped and reeled
- Power handling: 8W

APPLICATIONS:

- Mobile communications
- Satellite TV receivers
- GPS
- Vehicle location systems
- Wireless LAN's

FINAL QUALITY INSPECTION:

Finished parts are 100% tested for electrical parameters and visual/mechanical characteristics. Each production lot is evaluated on a sample basis for:

- Static Humidity: 85°C, 85% RH, 160 hours
- Endurance : 125°C, IR, 4 hours

TERMINATION:

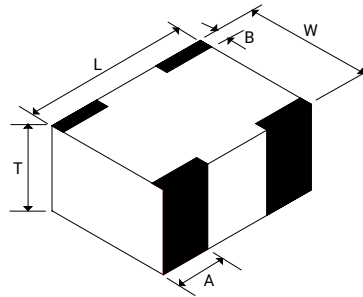
Nickel/ Lead-Free Solder coating (Sn100) compatible with automatic soldering technologies: reflow, wave soldering, vapor phase and manual.

PART NUMBER CODE:

LP 1206 A XXXX ASTR
Frequency
(MHz)

DIMENSIONS

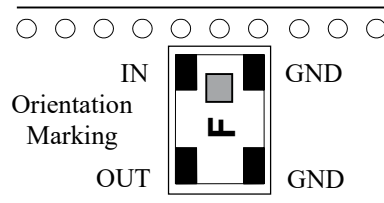
(TOP VIEW)



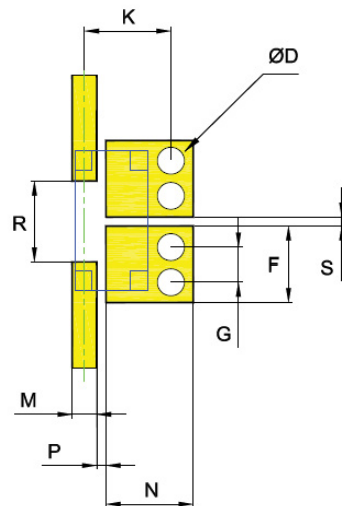
mm (inches)

L	3.08±0.1 (0.121±0.004)
W	1.60±0.1 (0.063±0.004)
T	0.87±0.1 (0.034±0.004)
A	0.61±0.25 (0.028±0.010)
B	0.35±0.15 (0.014±0.006)

TERMINALS (TOP VIEW)



RECOMMENDED PAD LAYOUT



(mm)

F	1.70±0.05
G	0.78±0.05
K	1.91±0.10
M	0.54±0.025
N	1.93±0.05
P	0.21±0.04
R	1.80±0.04
S	0.20±0.04
D	0.6±0.1

Thin-Film RF/Microwave Filters

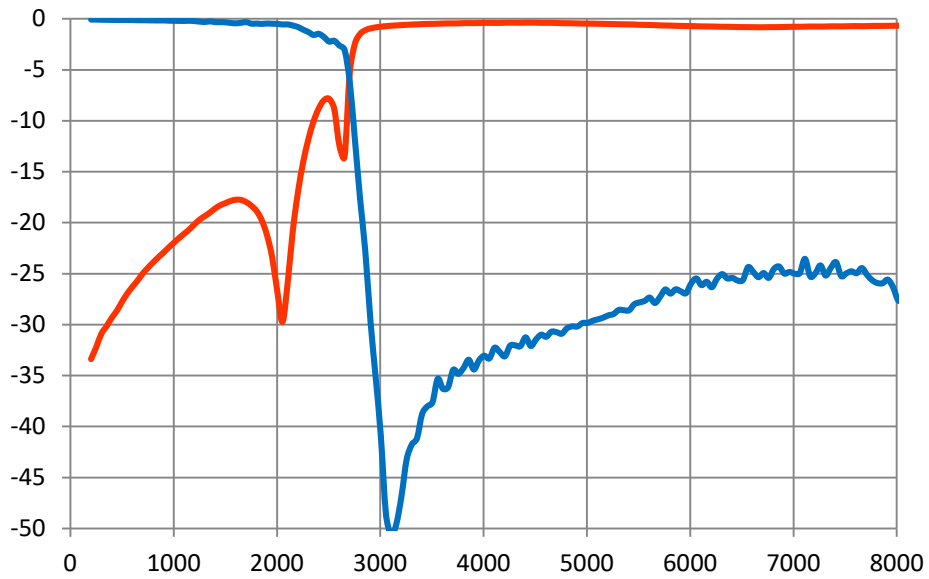
1206 High Performance Low Pass 8W

LP1206A2000ASTR – SMD Termination



ELECTRICAL CHARACTERISTICS

P/N	I.Loss @ 2000MHz	R.Loss @ 2000MHz	ATTENUATION [min.]
LP1206A2000ASTR	0.7dB max.	-15dB	-27dB at 3000-4000MHz -25dB at 4000-6000MHz -20dB at 6000-8000MHz



Thin-Film RF/Microwave Filters

1206 High Performance Low Pass 8W

LP1206A2500ASTR – SMD Termination

ITF TECHNOLOGY

The ITF SMD Filter is based on thin-film multilayer technology. The technology provides a miniature part with excellent high frequency performance and rugged construction for reliable automatic assembly.

The ITF Filter is offered in a variety of frequency bands compatible with various types of high frequency wireless systems.

FEATURES:

- Small size: 1206
- Frequency: 2500MHz
- Sharp attenuation slope
- Characteristic impedance: 50Ω
- Operating / Storage temp: -40°C ÷ +85°C
- Low profile
- Rugged construction
- Taped and reeled
- Power handling: 8W

APPLICATIONS:

- Mobile communications
- Satellite TV receivers
- GPS
- Vehicle location systems
- Wireless LAN's

FINAL QUALITY INSPECTION:

Finished parts are 100% tested for electrical parameters and visual/mechanical characteristics. Each production lot is evaluated on a sample basis for:

- Static Humidity: 85°C, 85% RH, 160 hours
- Endurance : 125°C, IR, 4 hours

TERMINATION:

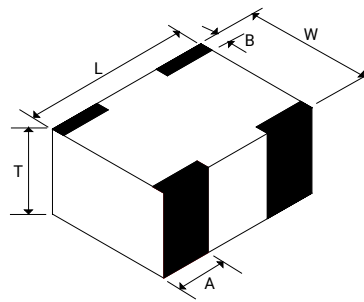
Nickel/ Lead-Free Solder coating (Sn100) compatible with automatic soldering technologies: reflow, wave soldering, vapor phase and manual.

PART NUMBER CODE:

LP 1206 A XXXX ASTR
Frequency
(MHz)

DIMENSIONS

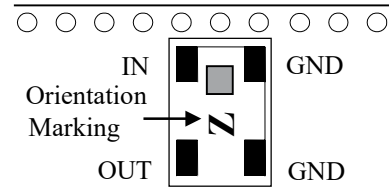
(TOP VIEW)



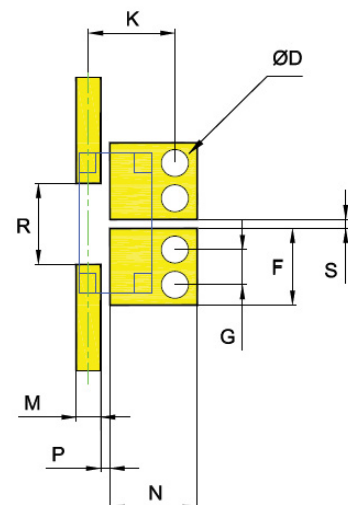
mm (inches)

L	3.08±0.1 (0.121±0.004)
W	1.60±0.1 (0.063±0.004)
T	0.87±0.1 (0.034±0.004)
A	0.61±0.25 (0.028±0.010)
B	0.35±0.15 (0.014±0.006)

TERMINALS AND LAYOUT (TOP VIEW)



RECOMMENDED PAD LAYOUT



(mm)

F	1.70±0.05
G	0.78±0.05
K	1.91±0.10
M	0.54±0.025
N	1.93±0.05
P	0.21±0.04
R	1.80±0.04
S	0.20±0.04
D	0.6±0.1

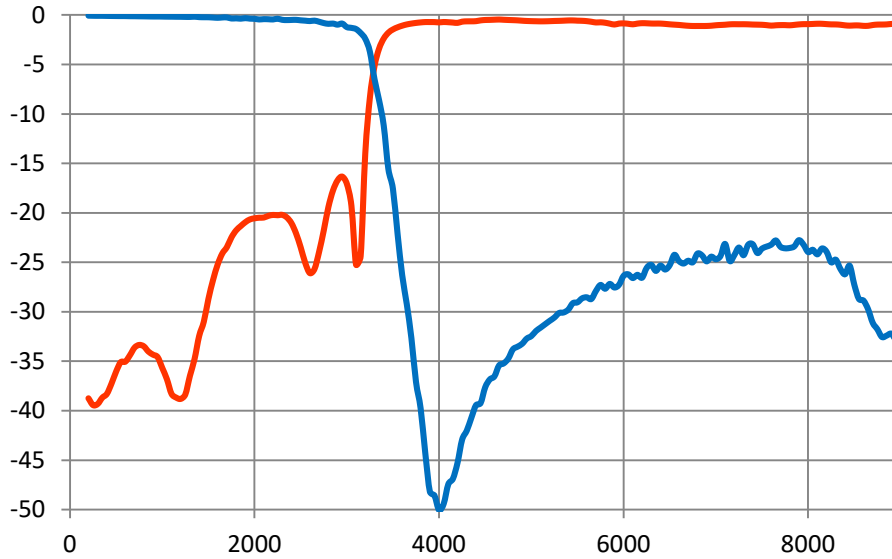
Thin-Film RF/Microwave Filters

1206 High Performance Low Pass 8W

LP1206A2500ASTR – SMD Termination

ELECTRICAL CHARACTERISTICS

P/N	I.Loss @ 2500MHz	R.Loss @ 2500MHz	ATTENUATION [min.]
LP1206A2500ASTR	0.7dB max.	-15dB	-25dB at 4000-5000MHz -22dB at 5000-7500MHz -15dB at 7500-8500MHz



Thin-Film RF/Microwave Filters

1206 High Performance Low Pass 8W

LP1206A3200ASTR – SMD Termination

ITF TECHNOLOGY

The ITF SMD Filter is based on thin-film multilayer technology. The technology provides a miniature part with excellent high frequency performance and rugged construction for reliable automatic assembly.

The ITF Filter is offered in a variety of frequency bands compatible with various types of high frequency wireless systems.

FEATURES

- Small size: 1206
- Frequency: 3.2GHz
- Sharp attenuation slope
- Characteristic impedance: 50Ω
- Operating/Storage temp: -40°C – +85°C
- Low profile
- Rugged construction
- Taped and reeled
- Power handling: 8W

APPLICATIONS

- Mobile communications
- Satellite TV receivers
- GPS
- Vehicle location systems
- Wireless LAN's

FINAL QUALITY INSPECTION

Finished parts are 100% tested for electrical parameters and visual/mechanical characteristics. Each production lot is evaluated on a sample basis for:

- Static Humidity: 85°C, 85% RH, 160 hours
- Endurance : 125°C, IR, 4 hours

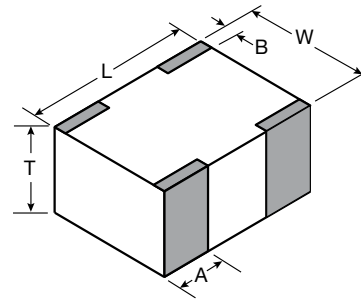
TERMINATION

Nickel/ Lead free Solder coating (Sn100) compatible with automatic soldering technologies: reflow, wave soldering, vapor phase and manual.

HOW TO ORDER

LP	1206	A	3200	A	S	TR
Series	Size	Type	Frequency (MHz)	Sub-Type	Termination	Taped & Reeled

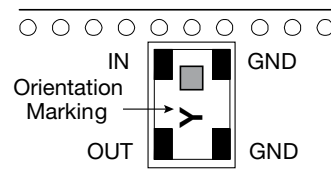
DIMENSIONS (TOP VIEW)



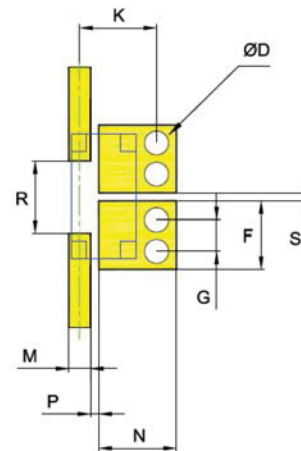
mm (inches)

L	3.08±0.1 (0.121±0.004)
W	1.60±0.1 (0.063±0.004)
T	0.87±0.1 (0.034±0.004)
A	0.61±0.25 (0.028±0.010)
B	0.35±0.15 (0.014±0.006)

TERMINAL AND LAYOUT (TOP VIEW)



RECOMMENDED PAD LAYOUT



mm (inches)

F	1.70±0.05 (0.067±0.002)
G	0.78±0.05 (0.031±0.002)
K	1.91±0.10 (0.075±0.004)
M	0.54±0.025 (0.021±0.001)
N	1.93±0.05 (0.076±0.002)
P	0.21±0.04 (0.008±0.002)
R	1.80±0.04 (0.071±0.002)
S	0.20±0.04 (0.008±0.002)
D	0.60±0.10 (0.024±0.004)

Thin-Film RF/Microwave Filters

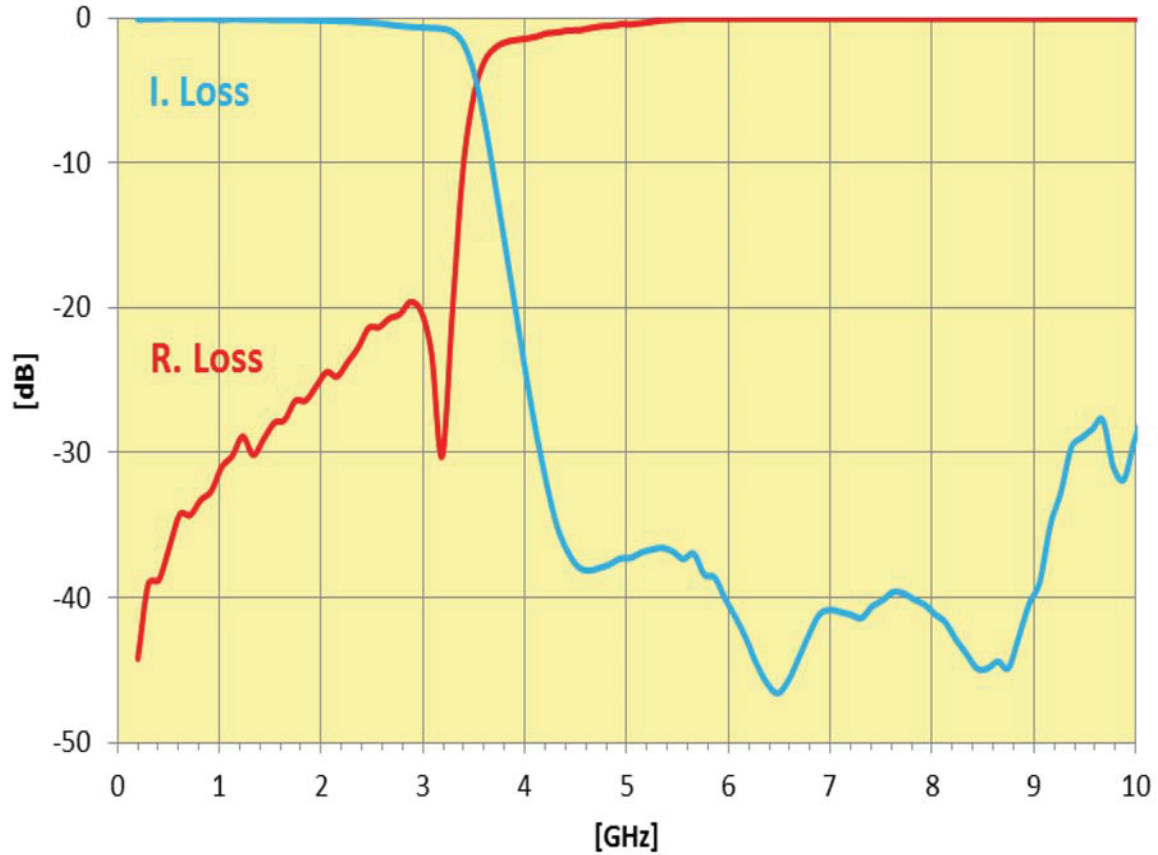
1206 High Performance Low Pass 8W

LP1206A3200ASTR – SMD Termination

ELECTRICAL CHARACTERISTICS

P/N	I.Loss @ 3.2GHz	R.Loss @ 3.2GHz	Attenuation
LP1206A3200ASTR	0.85dB max.	-20dB	-30dB at 4.48GHz -40dB at 6.4GHz -25dB at 9.6GHz -25dB at 10GHz

TYPICAL ELECTRICAL PERFORMANCE



Thin-Film RF/Microwave Filters

1206 High Performance Low Pass 8W

LP1206A3500ASTR – SMD Termination

ITF TECHNOLOGY

The ITF SMD Filter is based on thin-film multilayer technology. The technology provides a miniature part with excellent high frequency performance and rugged construction for reliable automatic assembly.

The ITF Filter is offered in a variety of frequency bands compatible with various types of high frequency wireless systems.

FEATURES

- Small size: 1206
- Frequency: 3.5GHz
- Sharp attenuation slope
- Characteristic impedance: 50Ω
- Operating/Storage temp: -40°C – +85°C
- Low profile
- Rugged construction
- Taped and reeled
- Power handling: 8W

APPLICATIONS

- Mobile communications
- Satellite TV receivers
- GPS
- Vehicle location systems
- Wireless LAN's

FINAL QUALITY INSPECTION

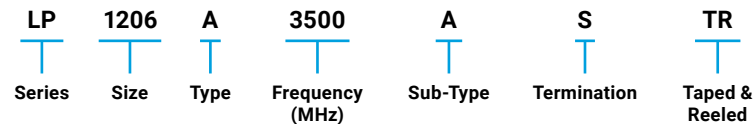
Finished parts are 100% tested for electrical parameters and visual/mechanical characteristics. Each production lot is evaluated on a sample basis for:

- Static Humidity: 85°C, 85% RH, 160 hours
- Endurance : 125°C, IR, 4 hours

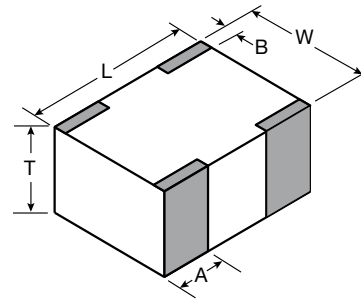
TERMINATION

Nickel/ Lead free Solder coating (Sn100) compatible with automatic soldering technologies: reflow, wave soldering, vapor phase and manual.

HOW TO ORDER



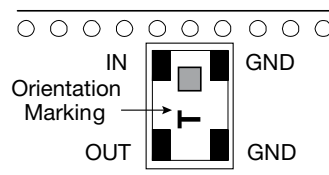
DIMENSIONS (TOP VIEW)



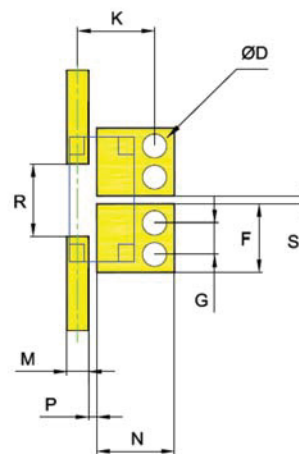
mm (inches)

L	3.08±0.1 (0.121±0.004)
W	1.60±0.1 (0.063±0.004)
T	0.87±0.1 (0.034±0.004)
A	0.61±0.25 (0.028±0.010)
B	0.35±0.15 (0.014±0.006)

TERMINAL AND LAYOUT (TOP VIEW)



RECOMMENDED PAD LAYOUT



mm (inches)

F	1.70±0.05 (0.067±0.002)
G	0.78±0.05 (0.031±0.002)
K	1.91±0.10 (0.075±0.004)
M	0.54±0.025 (0.021±0.001)
N	1.93±0.05 (0.076±0.002)
P	0.21±0.04 (0.008±0.002)
R	1.80±0.04 (0.071±0.002)
S	0.20±0.04 (0.008±0.002)
D	0.60±0.10 (0.024±0.004)

Thin-Film RF/Microwave Filters

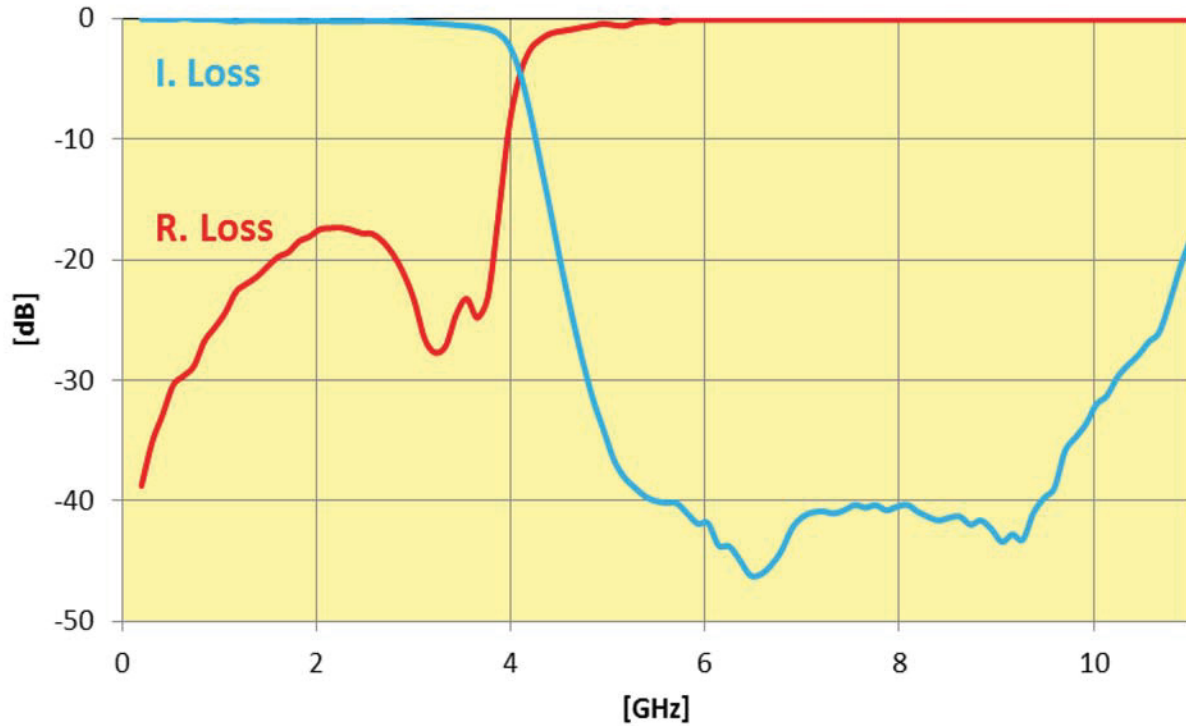
1206 High Performance Low Pass 8W

LP1206A3500ASTR – SMD Termination

ELECTRICAL CHARACTERISTICS

P/N	I.Loss @ 3.5GHz	R.Loss @ 3.5GHz	Attenuation
LP1206A3500ASTR	0.7dB max.	-18dB	-30dB at 4.9GHz -40dB at 7GHz -25dB at 10.5GHz -15dB at 11GHz

TYPICAL ELECTRICAL PERFORMANCE



Thin-Film RF/Microwave Filters

1206 High Performance Low Pass 8W

LP1206A3600ASTR – SMD Termination

ITF TECHNOLOGY

The ITF SMD Filter is based on thin-film multilayer technology. The technology provides a miniature part with excellent high frequency performance and rugged construction for reliable automatic assembly.

The ITF Filter is offered in a variety of frequency bands compatible with various types of high frequency wireless systems.

FEATURES

- Small size: 1206
- Frequency: 3.6GHz
- Sharp attenuation slope
- Characteristic impedance: 50ohm
- Operating/Storage temp: -40°C – +85°C
- Low profile
- Rugged construction
- Taped and reeled
- Power handling: 8W

APPLICATIONS

- Mobile communications
- Satellite TV receivers
- GPS
- Vehicle location systems
- Wireless LAN's

FINAL QUALITY INSPECTION

Finished parts are 100% tested for electrical parameters and visual/mechanical characteristics. Each production lot is evaluated on a sample basis for:

- Static Humidity: 85°C, 85% RH, 160 hours
- Endurance : 125°C, IR, 4 hours

TERMINATION

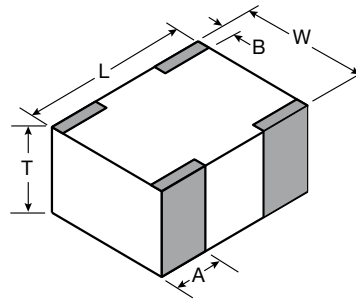
Nickel/ Lead free Solder coating (Sn100) compatible with automatic soldering technologies: reflow, wave soldering, vapor phase and manual.

HOW TO ORDER

LP | **1206** | **A** | **3600** | **A** | **S** | **TR**
 Series | Size | Type | Frequency (MHz) | Sub-Type | Termination | Taped & Reeled

DIMENSIONS

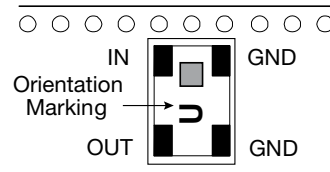
(TOP VIEW)



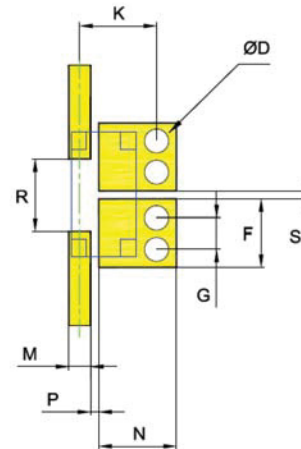
mm (inches)

L	3.08±0.1 (0.121±0.004)
W	1.60±0.1 (0.063±0.004)
T	0.87±0.1 (0.034±0.004)
A	0.61±0.25 (0.028±0.010)
B	0.35±0.15 (0.014±0.006)

TERMINAL AND LAYOUT (TOP VIEW)



RECOMMENDED PAD LAYOUT



mm (inches)

F	1.70±0.05 (0.067±0.002)
G	0.78±0.05 (0.031±0.002)
K	1.91±0.10 (0.075±0.004)
M	0.54±0.025 (0.021±0.001)
N	1.93±0.05 (0.076±0.002)
P	0.21±0.04 (0.008±0.002)
R	1.80±0.04 (0.071±0.002)
S	0.20±0.04 (0.008±0.002)
D	0.60±0.10 (0.024±0.004)

Thin-Film RF/Microwave Filters

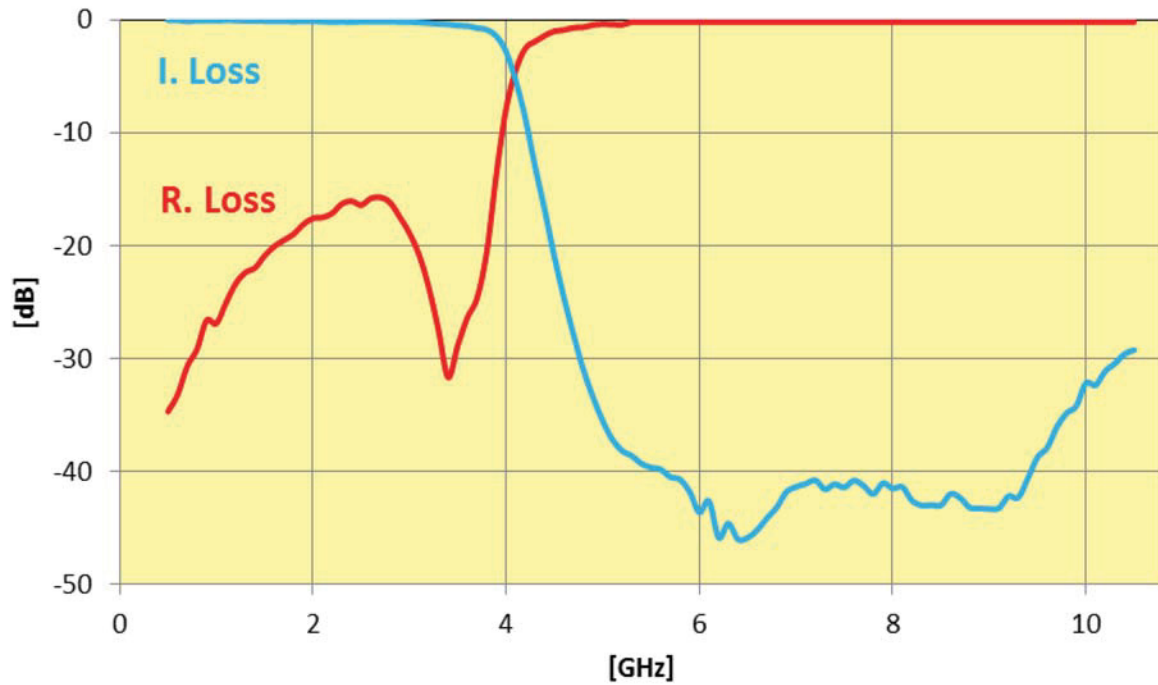
1206 High Performance Low Pass 8W

LP1206A3600ASTR – SMD Termination

ELECTRICAL CHARACTERISTICS

P/N	I.Loss @ 3.6GHz	R.Loss @ 3.6GHz	Attenuation
LP1206A3600ASTR	0.7dB max.	-25dB	-30dB at 5.04GHz -35dB at 7.2GHz -25dB at 10.8GHz

TYPICAL ELECTRICAL PERFORMANCE



Thin-Film RF/Microwave Filters

1206 High Performance Low Pass 8W

LP1206A3800ASTR – SMD Termination



ITF TECHNOLOGY

The ITF SMD Filter is based on thin-film multilayer technology. The technology provides a miniature part with excellent high frequency performance and rugged construction for reliable automatic assembly.

The ITF Filter is offered in a variety of frequency bands compatible with various types of high frequency wireless systems.

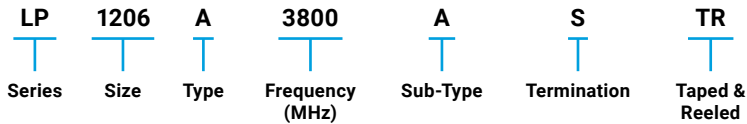
FEATURES

- Small size: 1206
- Frequency: 3.8GHz
- Sharp attenuation slope
- Characteristic impedance: 50ohm
- Operating/Storage temp: -40°C – +85°C
- Low profile
- Rugged construction
- Taped and reeled
- Power handling: 8W

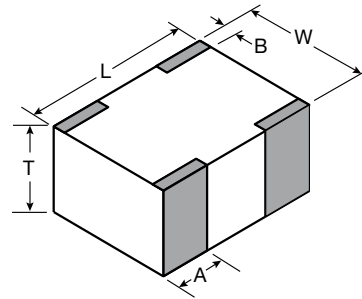
APPLICATIONS

- Mobile communications
- Satellite TV receivers
- GPS
- Vehicle location systems
- Wireless LAN's

HOW TO ORDER



DIMENSIONS (TOP VIEW)



	mm (inches)
L	3.08±0.1 (0.121±0.004)
W	1.60±0.1 (0.063±0.004)
T	0.87±0.1 (0.034±0.004)
A	0.61±0.25 (0.028±0.010)
B	0.35±0.15 (0.014±0.006)

FINAL QUALITY INSPECTION

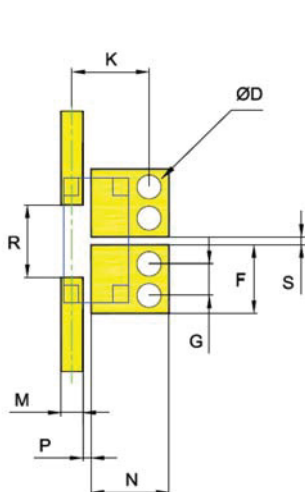
Finished parts are 100% tested for electrical parameters and visual/ mechanical characteristics. Each production lot is evaluated on a sample basis for:

- Static Humidity: 85°C, 85% RH, 160 hours
- Endurance : 125°C, IR, 4 hours

TERMINATION

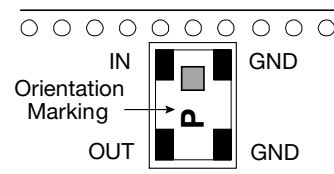
Nickel/ Lead free Solder coating (Sn100) compatible with automatic soldering technologies: reflow, wave soldering, vapor phase and manual.

RECOMMENDED PAD LAYOUT



	mm
F	1.70±0.05 (0.067±0.002)
G	0.78±0.05 (0.031±0.002)
K	1.91±0.10 (0.075±0.004)
M	0.54±0.025 (0.021±0.001)
N	1.93±0.05 (0.076±0.002)
P	0.21±0.04 (0.008±0.002)
R	1.80±0.04 (0.071±0.002)
S	0.20±0.04 (0.008±0.002)
D	0.60±0.10 (0.024±0.004)

TERMINAL AND LAYOUT (TOP VIEW)



Thin-Film RF/Microwave Filters

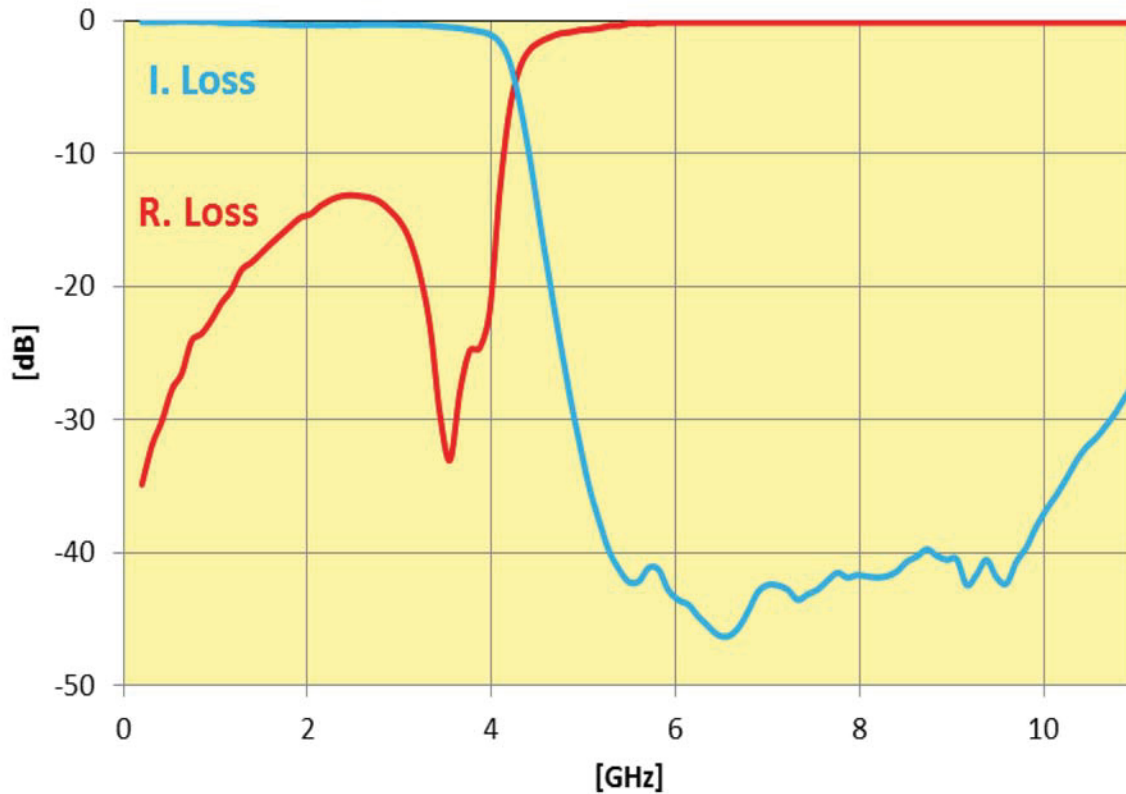
1206 High Performance Low Pass 8W

LP1206A3800ASTR – SMD Termination

ELECTRICAL CHARACTERISTICS

P/N	I.Loss @ 3.6GHz	R.Loss @ 3.6GHz	Attenuation
LP1206A3800ASTR	0.8dB max.	-20dB	-35dB at 5.32GHz -28dB at 7.6GHz -33dB at 10GHz

TYPICAL ELECTRICAL PERFORMANCE



X-ON Electronics

Largest Supplier of Electrical and Electronic Components

Click to view similar products for [Signal Conditioning category](#):

Click to view products by [Kyocera AVX manufacturer](#):

Other Similar products are found below :

[MAPDCC0001](#) [MAPDCC0004](#) [PD0409J5050S2HF](#) [880157](#) [HHS-109-PIN](#) [DC1417J5005AHF](#) [AFS14A30-2185.00-T3](#) [AFS14A35-1591.50-T3](#) [DS-323-PIN](#) [B39321R801H210](#) [1A0220-3](#) [JP510S](#) [LFB212G45SG8C341](#) [LFB322G45SN1A504](#) [LFL182G45TC3B746](#) [SF2159E](#) [30057](#)
[FM-104-PIN](#) [CER0813B](#) [MAPDCC0005](#) [3A325](#) [40287](#) [41180](#) [ATB3225-75032NCT](#) [BD0810N50100AHF](#) [BD2425J50200AHF](#)
[C5060J5003AHF](#) [JHS-115-PIN](#) [JP503AS](#) [DC0710J5005AHF](#) [DC2327J5005AHF](#) [DC3338J5005AHF](#) [43020](#) [LFB2H2G60BB1C106](#)
[LFL15869MTC1B787](#) [X3C19F1-20S](#) [XC3500P-20S](#) [10013-20](#) [SF2194E](#) [CDBLB455KCAX39-B0](#) [TGL2208-SM, EVAL](#) [RF1353C](#)
[PD0922J5050D2HF](#) [1E1305-3](#) [1F1304-3S](#) [1G1304-30](#) [B0922J7575AHF](#) [2020-6622-20](#) [TP-103-PIN](#) [BD1222J50200AHF](#)