

# MHz Band Ceramic Resonators (SMD) PBRV/ PRQV Frequency Tight Tolerance Series



for Automotive Applications



RoHS Compliant

## Features

- Improved frequency tolerance suitable for CAN-BUS application
- The series are high accuracy resonators whose total tolerance is available for less than  $\pm 3000$ ppm

## How to Order (PBRV)

**PBRV 15.00 H R 10 Y 000**  
 ① ② ③ ④ ⑤ ⑥ ⑦

- ① Series (PBRV: Automotive)
- ② Frequency (MHz)
- ③ Type (H, M)
- ④ Packing R: Tape & Reel  
 PBRV-H (2000 pcs./ Reel)  
 PBRV-M (3000 pcs./ Reel)  
 (Null): Bulk
- ⑤ Frequency Tolerance at 25°C

**10**  $\pm 0.1\%$

- ⑥ Operating Temperature

**X**  $-40^{\circ}\text{C}$  to  $85^{\circ}\text{C}$     **Y**  $-40^{\circ}\text{C}$  to  $125^{\circ}\text{C}$   
**Z**  $-40^{\circ}\text{C}$  to  $150^{\circ}\text{C}$

- ⑦ Unique Code

## How to Order (PRQV)

**PRQV 8.00 C R 15 10 Y 000**  
 ① ② ③ ④ ⑤ ⑥ ⑦ ⑧

- ① Series (PRQV: Automotive)
- ② Frequency (MHz)
- ③ Type (C)
- ④ Packing R: Tape & Reel (3000 pcs./ Reel)  
 (Null): Bulk
- ⑤ Frequency Tolerance at 25°C

**15**  $\pm 0.15\%$

- ⑥ Built-in Capacitance 10pF: 10 5pF: 05
- ⑦ Operating Temperature

**X**  $-40^{\circ}\text{C}$  to  $85^{\circ}\text{C}$     **Y**  $-40^{\circ}\text{C}$  to  $125^{\circ}\text{C}$   
**Z**  $-40^{\circ}\text{C}$  to  $150^{\circ}\text{C}$

- ⑧ Unique Code

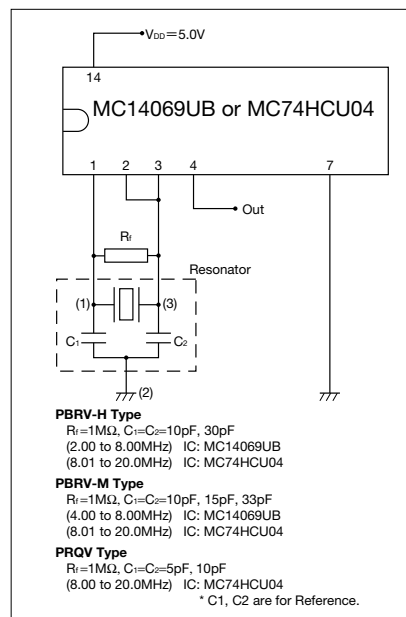
## Specifications

Series	Frequency Range (MHz)	Frequency Tolerance Initial + Temperature	Operating Temperature Range (°C)
PBRV-HR	2.0 to 20.0	$\pm 0.25\%$	-40 to 125
PBRV-MR	4.0 to 20.0	$\pm 0.25\%$	-40 to 125
PRQV	8.0 to 20.0	$\pm 0.25\%$	-40 to 125

\* Please refer to the specification sheet of each product for information including detail dimensions.

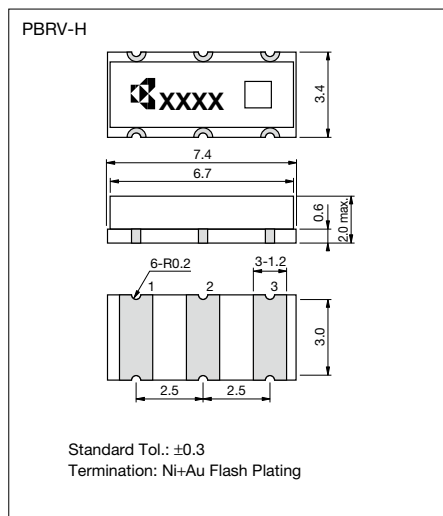
\* Please contact us for the operating temperature range of  $-40$  to  $150^{\circ}\text{C}$ .

## Test Circuit

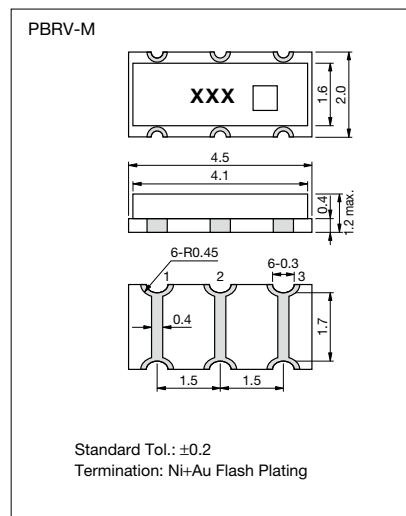


## Dimensions

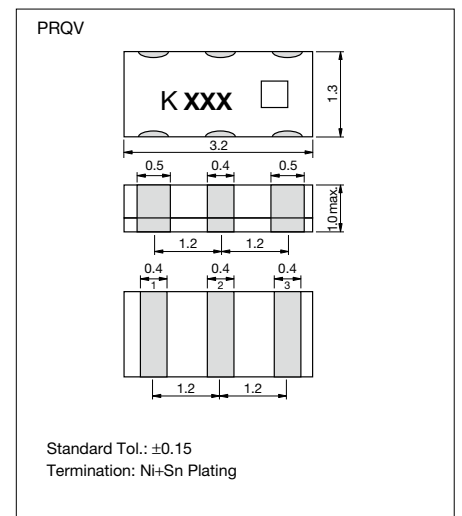
(Unit: mm)



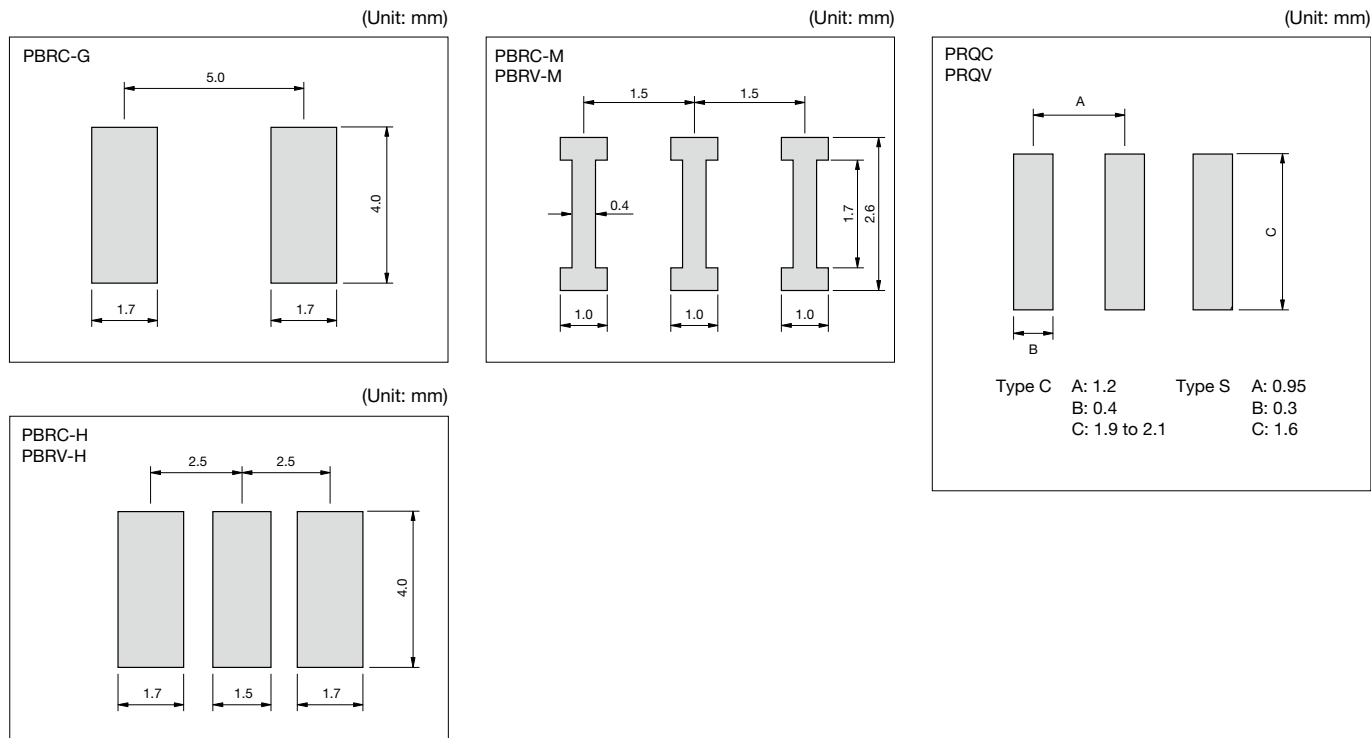
(Unit: mm)



(Unit: mm)

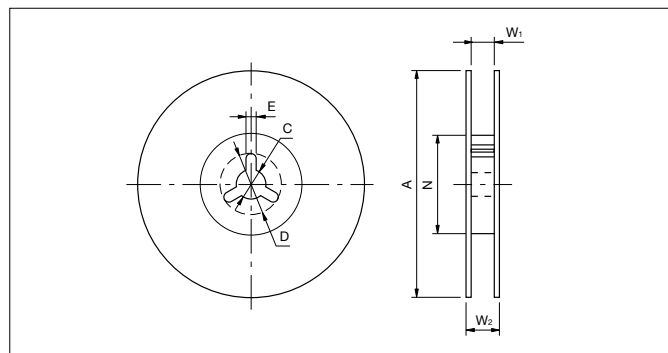


## Recommended Land Pattern

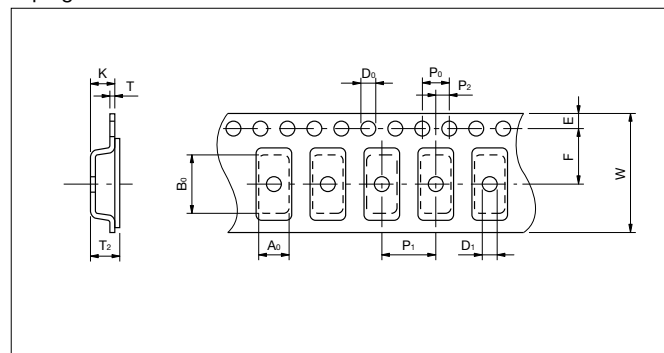


## Packaging

Reel



Taping



Code	A	N	W <sub>1</sub>	W <sub>2</sub>	C	D	E
7.4×3.4×2.0mm	250±2.0	80±2.0	16.5 <sup>+1.1</sup> <sub>-0.0</sub>	23.6 max.	13.0±0.5	21.0±0.8	2.0±0.5
4.5×2.0×1.2mm	180 <sup>+0</sup> <sub>-3</sub>	60 <sup>+1</sup> <sub>-0</sub>	13.0±0.3	15.4±1	13.0±0.2	21.0±0.8	2.0±0.5
3.2×1.3×1.3mm	180 <sup>+0</sup> <sub>-9</sub>	50 min	9.0±0.3	12.4 max.	13.0±0.5	21.0±0.8	2.0±0.5

Code	A <sub>0</sub>	B <sub>0</sub>	W	F	E	P <sub>1</sub>	P <sub>2</sub>	P <sub>0</sub>	D <sub>0</sub>	D <sub>1</sub>	T	T <sub>2</sub>	K
7.4×3.4×2.0mm	3.80±0.1	7.80±0.1	16.00±0.3	7.50±0.1	1.75±0.1	8.00±0.1	2.0±0.1	4.00±0.1	1.50 <sup>+0.1</sup> <sub>-0.0</sub>	1.50 <sup>+0.1</sup> <sub>-0.0</sub>	0.30±0.05	2.45±0.2	2.40±0.2
4.5×2.0×1.2mm	2.20±0.1	4.70±0.1	12.00±0.2	5.5±0.05	1.75±0.1	4.00±0.1	2.0±0.05	4.00±0.1	1.50 <sup>+0.1</sup> <sub>-0.0</sub>	1.0±0.1	0.30±0.05	1.85 max.	1.80 max.
3.2×1.3×1.3mm	1.50±0.2	3.45±0.2	8.00±0.3	3.50±0.05	1.75±0.1	4.00±0.1	2.0±0.05	4.00±0.1	1.50 <sup>+0.1</sup> <sub>-0.0</sub>	1.0 <sup>+0.1</sup> <sub>-0.0</sub>	0.25±0.05	1.40 max.	1.10±0.2

## X-ON Electronics

Largest Supplier of Electrical and Electronic Components

*Click to view similar products for [Resonators](#) category:*

*Click to view products by [Kyocera AVX](#) manufacturer:*

Other Similar products are found below :

[B39431R820H210](#) [CSAC2.00MGCM-TC](#) [ECS-HFR-40.00-B-TR](#) [CSTLS4M00G53Z-A0](#) [ECS-CR2-16.00-A-TR](#) [ECS-HFR-20.00-B-TR](#)  
[ECS-CR2-20.00-A-TR](#) [RO3164E-3](#) [CSTNE14M7V510000R0](#) [7D038400I01](#) [7B009843R01](#) [NX2012SA](#) [32.768KHZ](#) [STD-MUB-1](#)  
[NX3215SA](#) [32.768KHZ](#) [STD-MUS-2](#) [7B009843M01](#) [OZ26030001](#) [Q22FA12800519](#) [CSTCR4M00G55E-R0](#) [XC32M4-37.400-F16NLDT](#)  
[CSTLS24M0X53-B0](#) [AWSCR-10.00CELB-C10-T3](#) [AWSCR-12.00CELA-C33-T3](#) [AWSCR-2.00CPLB-C15-T4](#) [AWSCR-3.58CPLA-C30-T4](#)  
[AWSCR-3.58CPLB-C30-T4](#) [AWSCR-4.00CPLA-C33-T4](#) [AWSCR-4.00CPLB-C10-T4](#) [AWSCR-4.00CRLA-C39-T3](#) [AWSCR-4.19CPLA-](#)  
[C30-T4](#) [AWSCR-4.19CRLA-C15-T3](#) [AWSCR-4.19CRLB-C15-T3](#) [AWSCR-4.91CRLB-C15-T3](#) [AWSCR-5.00CPLA-C30-T4](#) [AWSCR-](#)  
[5.00CPLB-C30-T4](#) [AWSCR-5.00CRLA-C15-T3](#) [AWSCR-5.00CRLA-C39-T3](#) [AWSCR-5.00CRLB-C15-T3](#) [AWSCR-7.37CPLA-C30-T4](#)  
[AWSCR-7.37CPLB-C30-T4](#) [9AC04194152080D2JB](#) [CSTCR4M91G55B-R0](#) [CSTLS3M68G56-B0](#) [FC-12M32.768KHZ9PF20PPM](#)  
[ASR433.42E-T](#) [ZTTCC8.00MG](#) [ZTTCS8.00MT](#) [X1A000091000500](#) [X1A0000910001](#) [ECS-SR1-4.19-B-TR](#) [7C024000HW1](#) [7C012000IW1](#)