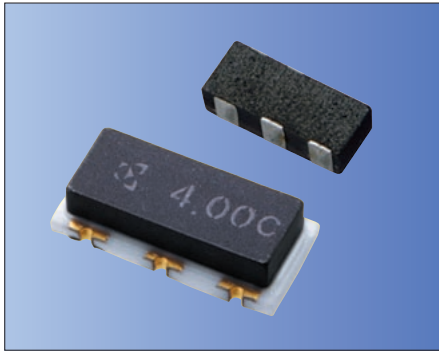


# MHz Band Ceramic Chip Resonators (SMD) PBRV-H/ PBRV-M/ PRQV Series



for Automotive Applications



RoHS Compliant

## Features

- Miniature & low profile
- Rectangular shape allows easy pick and placement
- Component cost and space saving
- High density mounting possible
- Reflow solderable & washable
- High reliability, high temperature operation
- AEC-Q200

## Applications

- Automotive
- ABS
- ECU
- Air-Bag System

## How to Order (PBRV-H,PBRV-M)

PBRV 15.00 H R 50 Y 000  
① ② ③ ④ ⑤ ⑥ ⑦

- ① Series (PBRV: Automotive)
- ② Frequency (MHz)
- ③ Type (H, M)
- ④ Packing\_Bulk (Null)  
R Reel (H: 2k/ reel, M: 3k/ reel)

⑤ Frequency Tolerance at 25°C

<b>10</b>	±0.1%	<b>20</b>	±0.2%
<b>30</b>	±0.3%	<b>40</b>	±0.4%
<b>50</b>	±0.5%	<b>70</b>	±0.7%

⑥ Operating Temperature

<b>X</b>	-40°C to 85°C	<b>Y</b>	-40°C to 125°C
<b>Z</b>	-40°C to 150°C		

⑦ Unique Code

## How to Order (PRQV)

PRQV 8.00 S R 50 10 Y 000  
① ② ③ ④ ⑤ ⑥ ⑦ ⑧

- ① Series (PRQV: Automotive)
- ② Frequency (MHz)
- ③ Type (S)
- ④ Packing\_Bulk (Null)  
R Reel (3k/ reel)

⑤ Frequency Tolerance at 25°C

<b>10</b>	±0.1%	<b>20</b>	±0.2%
<b>30</b>	±0.3%	<b>40</b>	±0.4%
<b>50</b>	±0.5%	<b>70</b>	±0.7%

⑥ Built-in Capacitance 10pF: 10

⑦ Operating Temperature

<b>X</b>	-40°C to 85°C	<b>Y</b>	-40°C to 125°C
<b>Z</b>	-40°C to 150°C		

⑧ Unique Code

## Specifications

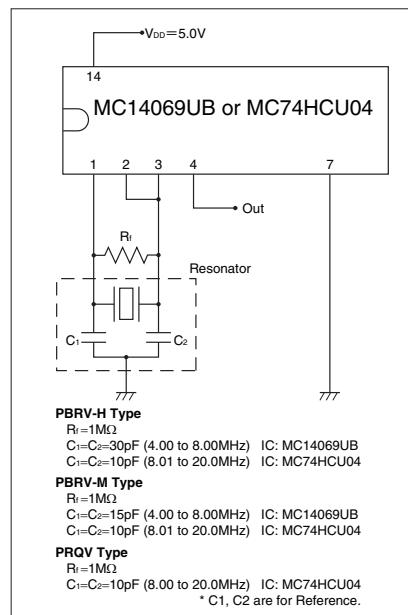
Series	Frequency Range (MHz)	Frequency Tolerance (25°C)	Temperature Stability
PBRV-H PBRV-M	4.00 to 8.00	±0.5% (op. ±0.3%)	Y: ±0.5% (-40 to +125°C) Z: ±0.5% (-40 to +150°C)
	8.01 to 20.00	±0.7% (op. ±0.5%)	Y: ±0.1% (-40 to +125°C) Z: ±0.2% (-40 to +150°C)
PRQV	8.00 to 20.00	±0.5% (op. ±0.3%)	Y: ±0.5% (-40 to +125°C) Z: ±0.5% (-40 to +150°C)

\* Aging for 10 years is within ±0.3% from the initial frequency at 25°C.  
\* Please contact us for products without built-in capacitors.

### Note)

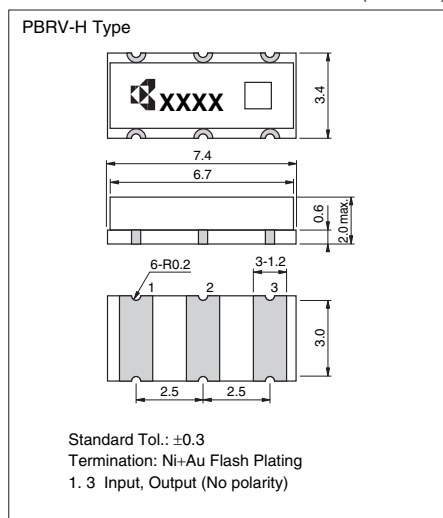
- This product includes built-in capacitors, but values may not be the most appropriate depending on IC's.
- Evaluation of circuit with IC is necessary. IC circuit matching may be referenced with
  - 1) IC data books
  - 2) List of Recommended circuits in Kyocera website.
- Please contact IC manufacturer or Kyocera when there are difficulties in finding recommended circuits.

## Test Circuit

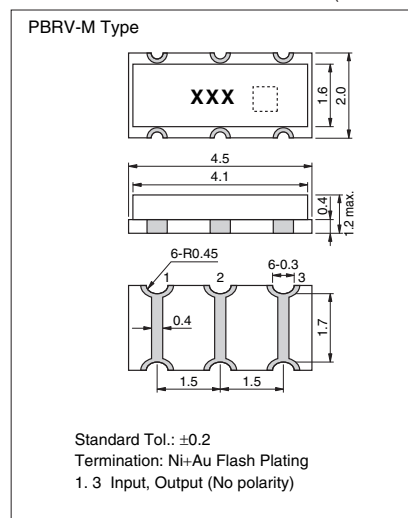


## Dimensions

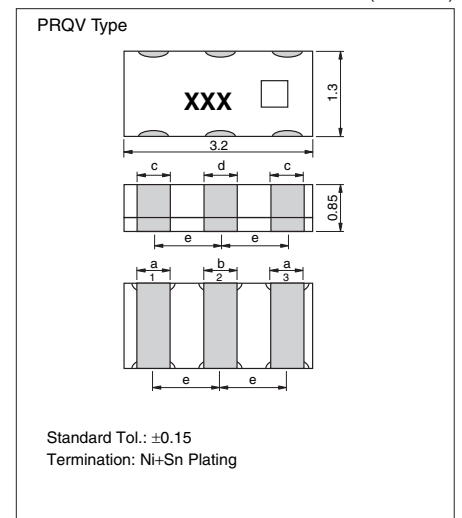
(Unit: mm)



(Unit: mm)



(Unit: mm)



#	Pin #
<b>1</b>	Input
<b>2</b>	Ground
<b>3</b>	Output

(Unit: mm)

Frequency (MHz)	a	b	c	d	e
<b>8.00 to 12.50</b>	0.4	0.4	0.6	0.4	1.2
<b>12.51 to 20.00</b>	0.6	0.4	0.6	0.4	0.95

## X-ON Electronics

Largest Supplier of Electrical and Electronic Components

*Click to view similar products for [Resonators](#) category:*

*Click to view products by [Kyocera AVX](#) manufacturer:*

Other Similar products are found below :

[B39431R820H210](#) [CSAC2.00MGCM-TC](#) [ECS-HFR-40.00-B-TR](#) [CSTLS4M00G53Z-A0](#) [ECS-CR2-16.00-A-TR](#) [ECS-HFR-20.00-B-TR](#)  
[ECS-CR2-20.00-A-TR](#) [RO3164E-3](#) [CSTNE14M7V510000R0](#) [7D038400I01](#) [7B009843R01](#) [NX2012SA](#) [32.768KHZ](#) [STD-MUB-1](#)  
[NX3215SA](#) [32.768KHZ](#) [STD-MUS-2](#) [7B009843M01](#) [OZ26030001](#) [Q22FA12800519](#) [CSTCR4M00G55E-R0](#) [XC32M4-37.400-F16NLDT](#)  
[CSTLS24M0X53-B0](#) [AWSCR-10.00CELB-C10-T3](#) [AWSCR-12.00CELA-C33-T3](#) [AWSCR-2.00CPLB-C15-T4](#) [AWSCR-3.58CPLA-C30-T4](#)  
[AWSCR-3.58CPLB-C30-T4](#) [AWSCR-4.00CPLA-C33-T4](#) [AWSCR-4.00CPLB-C10-T4](#) [AWSCR-4.00CRLA-C39-T3](#) [AWSCR-4.19CPLA-](#)  
[C30-T4](#) [AWSCR-4.19CRLA-C15-T3](#) [AWSCR-4.19CRLB-C15-T3](#) [AWSCR-4.91CRLB-C15-T3](#) [AWSCR-5.00CPLA-C30-T4](#) [AWSCR-](#)  
[5.00CPLB-C30-T4](#) [AWSCR-5.00CRLA-C15-T3](#) [AWSCR-5.00CRLA-C39-T3](#) [AWSCR-5.00CRLB-C15-T3](#) [AWSCR-7.37CPLA-C30-T4](#)  
[AWSCR-7.37CPLB-C30-T4](#) [9AC04194152080D2JB](#) [CSTCR4M91G55B-R0](#) [CSTLS3M68G56-B0](#) [FC-12M32.768KHZ9PF20PPM](#)  
[ASR433.42E-T](#) [X1A0000910001](#) [ECS-SR1-4.19-B-TR](#) [7C024000HW1](#) [7C012000IW1](#) [7C012000MW1](#) [7C016000HW1](#) [7C016000MW1](#)