

High Power Resistive Products



Attenuators

AVX introduces its line of High Power Attenuator Products. All products are designed and manufactured at our ISO 9001 Facilities.

ELECTRICAL SPECIFICATIONS

Attenuation: 1 dB through 30 dB

Frequency Range: DC to 3 GHz

Input Power: up to 150 Watts

Operating Temperature Range: -55°C through +150°C

MECHANICAL SPECIFICATIONS

Package: Leaded and Flange Mounted

Substrate Material: Aluminum Nitride

Process: 100% Thin Film Processed

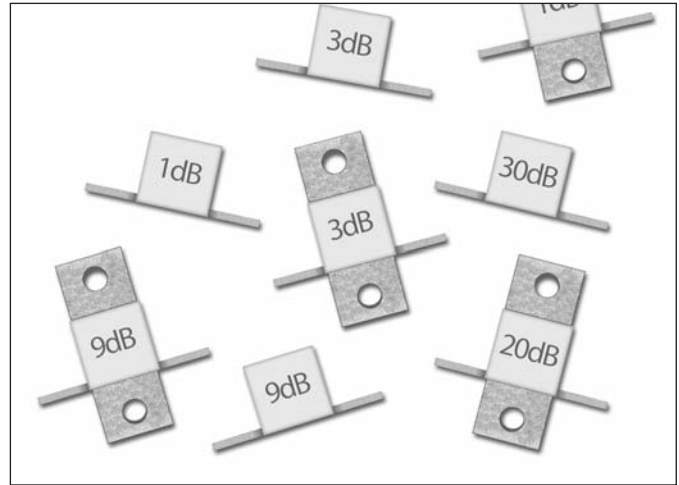
Resistive Material: Tantalum Nitride

Terminals: 100% Ag

Cover: Alumina

Mounting Flange: 100% Cu, Ni or Ag Plated

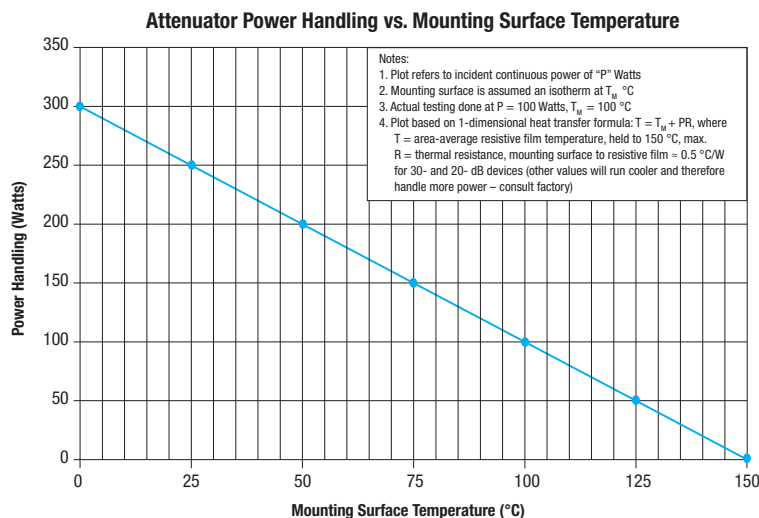
RoHS Compliant



HOW TO ORDER

RP2	3740	A	01DB	F	P	BK
AVX Series RP1 RP2	Case Size 3740 0975	Type A = Attenuator	Nominal Attenuation (dB) See chart	Tolerance F = 1%	Plating P = Palladium	Packaging BK = Bulk

Contact factory for custom ratings and sizes.



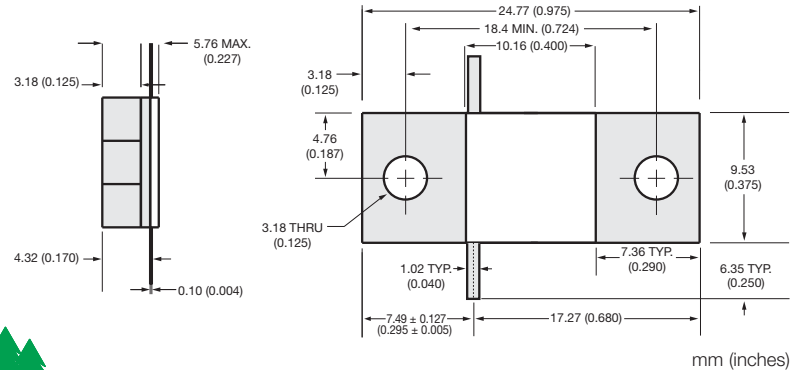
* Test Condition: With mounting surface temperature = 75°C, max. (see plot above). Actual test conditions are as follows: Flange attached to a large copper carrier whose surface, directly under the flange center, is held at 100°C; power applied = 100 Watts.

** Attenuation vs. frequency as a function of temperature, -55°C to +125°C

Attenuators

FLANGE MOUNT ATTENUATORS – RP1 SERIES GENERAL SPECIFICATIONS

- Frequency Range:** DC to 3 GHz
- Input Power*:** 150 Watts
- Operating Temp Range:** -55 to +150°C
- Attenuation Stability**:** 0.0001 dB/dB/°C, Max.
- Mounting Flange:** Copper, Pd over Ni; other platings available
- Resistive Elements:** Tantalum Nitride
- Substrate Material:** Aluminum Nitride
- Tab:** 99.99% Pure Silver, 0.25 (0.004) thick
- Cover:** Alumina
- RoHS Compliant**



Mechanical Tolerance: ±0.25 (0.010) unless otherwise specified

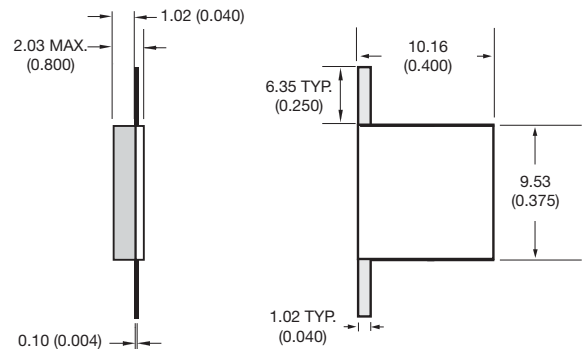


AVX Part Number	Nominal Attenuation (dB)	Frequency Sensitivity (dB, max.)	Maximum Deviation from Nominal (dB)	VSWR (max.)
RP10975A01DBFPBK	1	± 0.25	+0.45 / -0.15	1.55:1
RP10975A02DBFPBK	2	±0.30	+0.50 / -0.30	1.50:1
RP10975A03DBFPBK	3	± 0.30	+0.60 / -0.30	1.50:1
RP10975A06DBFPBK	6	± 0.45	+0.80 / -0.20	1.40:1
RP10975A09DBFPBK	9	± 0.35	+0.70 / -0.20	1.30:1
RP10975A10DBFPBK	10	± 0.20	+0.40 / -0.30	1.40:1
RP10975A17DBFPBK	17	± 1.00	+1.00 / -1.20	1.30:1
RP10975A20DBFPBK	20	± 1.00	+1.00 / -1.20	1.30:1
RP10975A30DBFPBK	30	± 1.05	+1.75 / -1.20	1.25:1

For Attenuator Power Handling vs. Mounting Surface Temperature, see page 2.

LEADED CHIP ATTENUATORS – RP2 SERIES GENERAL SPECIFICATIONS

- Frequency Range:** DC to 3 GHz
- Input Power*:** 150 Watts
- Operating Temp Range:** -55°C to +150°C
- Attenuation Stability**:** 0.0001 dB/dB/°C, Max.
- Resistive Elements:** Tantalum Nitride
- Substrate Material:** Aluminum Nitride
- Tab:** 99.99% Pure Silver, 0.10 (0.004) thick
- Cover:** Alumina
- RoHS Compliant**



Mechanical Tolerance: ±0.25 (0.010) unless otherwise specified



AVX Part Number	Nominal Attenuation (dB)	Frequency Sensitivity (dB, max.)	Maximum Deviation from Nominal (dB)	VSWR (max.)
RP23740A01DBFPBK	1	± 0.20	+0.45 / -0.15	1.55
RP23740A03DBFPBK	3	± 0.30	+0.60 / -0.30	1.50
RP23740A06DBFPBK	6	± 0.30	+0.60 / -0.20	1.30
RP23740A09DBFPBK	9	± 0.30	+0.60 / -0.20	1.30
RP23740A10DBFPBK	10	± 0.20	+0.40 / -0.30	1.25
RP23740A20DBFPBK	20	± 1.00	+1.00 / -1.20	1.25
RP23740A30DBFPBK	30	± 1.05	+1.75 / -1.20	1.25

For Attenuator Power Handling vs. Mounting Surface Temperature, see page 2.

X-ON Electronics

Largest Supplier of Electrical and Electronic Components

Click to view similar products for [Attenuators](#) category:

Click to view products by [Kyocera AVX](#) manufacturer:

Other Similar products are found below :

[HMC305SLP4ETR](#) [MAAD-009195-000100](#) [TGL4201-00](#) [TGL4201-02](#) [TGL4201-03](#) [TGL4201-06](#) [TGL4201-10](#) [ATN3590-15](#) [20-50TPC](#)
[D10AA5Z4](#) [18AH-01](#) [18AH-08](#) [ATN3580-20](#) [ATN3590-09](#) [20-50RP](#) [MASW-008322-000000](#) [MAATCC0009TR](#) [PCAF-10](#) [EXB-](#)
[24AT9AR5X](#) [ATN3580-06](#) [ATN3580-10](#) [HMC539ALP3ETR](#) [ATN3580-02](#) [ATN3590-07](#) [SKY12408-321LF](#) [ATN3580-03](#)
[WA04P005XBTL](#) [HMC-VVD104-SX](#) [WA04P007XCTL](#) [SKY12236-11](#) [MAATSS0018TR-3000](#) [HMC656-SX](#) [WA04P001XBTL](#) [MAAV-](#)
[007941-TR3000](#) [WA04P004XBTL](#) [WA04P002XBTL](#) [C3A50Z4](#) [HMC941A](#) [PAT0816-C-0DB-T5](#) [PAT0816-C-8DB-T5](#) [PAT1632-C-3DB-](#)
[T1](#) [PAT1632-C-6DB-T1](#) [PAT1632-C-10DB-T1](#) [PAT1632-C-1DB-T1](#) [PAT0816-C-2DB-T5](#) [PAT0816-C-4DB-T5](#) [DHM510-0100-006](#)
[CMD172](#) [MAT10300](#) [MAT10180](#)