

# High Power Resistive Products

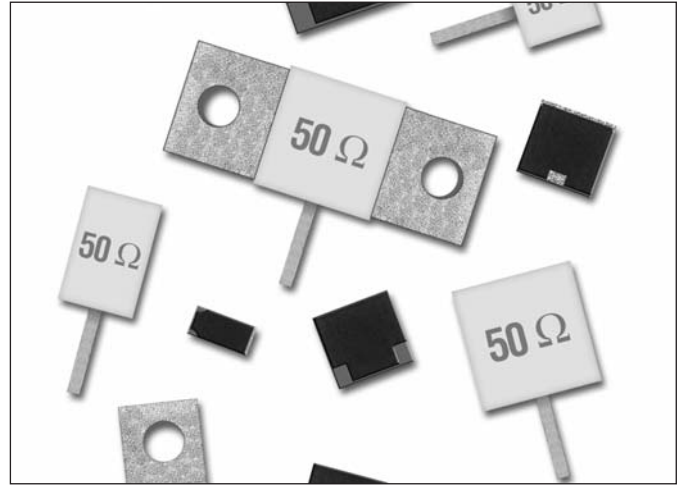


## Terminations

AVX introduces its complete line of High Power Termination Products. All Products are designed and manufactured at our ISO 9001 Facilities.

### ELECTRICAL SPECIFICATIONS

- Resistance:** 50  $\Omega$  standard (10  $\Omega$  - 200  $\Omega$  available)
- Resistance Tolerance:**  $\pm 5\%$  standard ( $\pm 2\%$  available)
- Power:** 2 Watts through 225 Watts
- Operating Temperature Range:**  $-55^{\circ}\text{C}$  to  $+150^{\circ}\text{C}$
- Temperature Coefficient:**  $< 150$  ppm/ $^{\circ}\text{C}$
- Low VSWR**

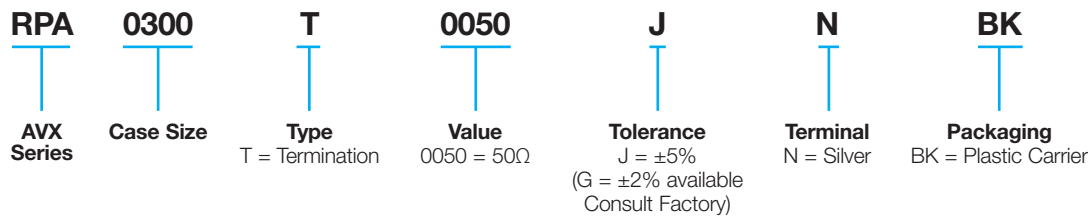


### MECHANICAL SPECIFICATIONS

- Package:** Surface Mount Chips, Chips, Leaded Chips, Flange Mount
- Substrate Material:** Aluminum Nitride
- Process:** Thin Film
- Resistive Material:** Tantalum
- Terminals:** Silver
- Cover:** Alumina
- Mounting Flange:** 100% Cu, Ni or Ag Plated
- Mechanical Tolerance:**  $\pm 0.13$  (0.005)
- RoHS Compliant**
- SMT and Chip products, supplied on Tape and Reel**

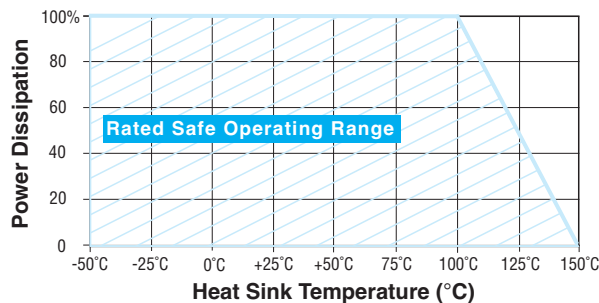


### FLANGE MOUNT TERMINATIONS HOW TO ORDER



Contact factory for custom ratings and sizes.

### POWER DERATING



## Terminations

### FLANGE MOUNT TERMINATION – P/N: RPA0302T0050JNBK

#### ELECTRICAL SPECIFICATIONS

**Nominal Impedance:** 50 Ω ±5% standard  
(contact factory for custom values)

**Power:** 20 Watts

**Frequency:** DC to 18 GHz

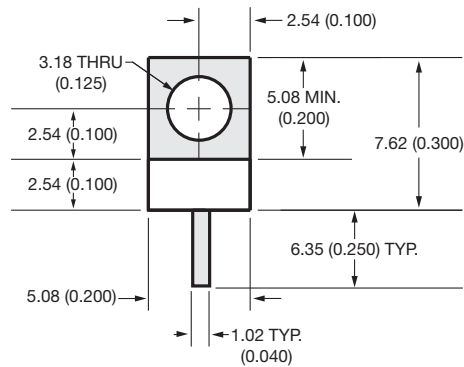
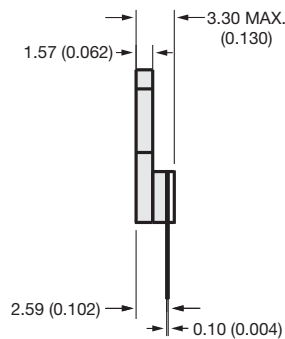
**VSWR:** 1.15:1 @ 15 GHz, 1.25:1 @ 18 GHz

**Operating Temperature Range:** -55°C to +150°C

**Temperature Coefficient:** <150 ppm/°C

**Tabs:** Silver

**RoHS Compliant**



mm (inches)

### FLANGE MOUNT TERMINATION – P/N: RPA0500T0050JNBK

#### ELECTRICAL SPECIFICATIONS

**Nominal Impedance:** 50 Ω ±5% standard  
(contact factory for custom values)

**Power:** 25 Watts

**Frequency:** DC to 6.0 GHz

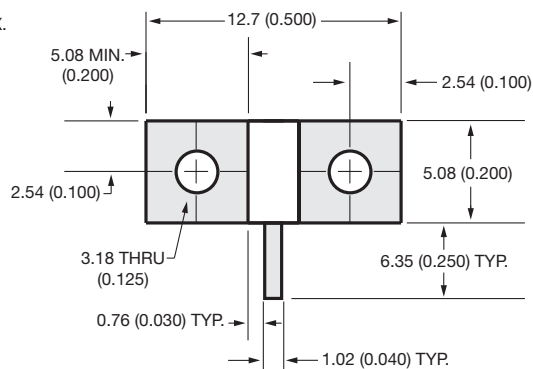
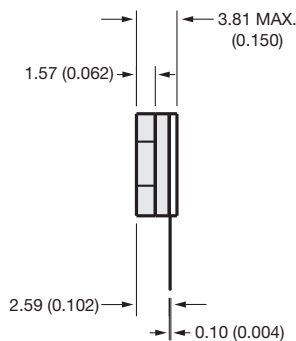
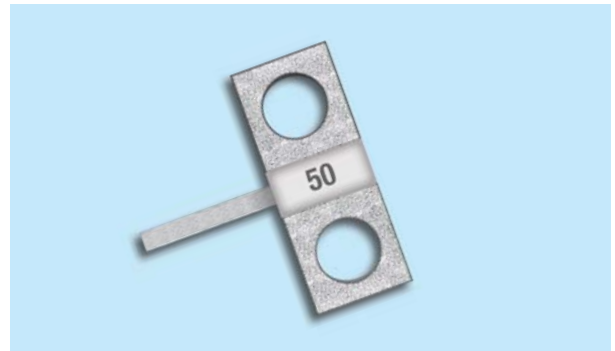
**VSWR:** 1.15:1 @ 4 GHz, 1.25:1 @ 6 GHz

**Operating Temperature Range:** -55°C to +150°C

**Temperature Coefficient:** <150 ppm/°C

**Tabs:** Silver

**RoHS Compliant**



mm (inches)

For Part Number Code, see page 14.

## Terminations

### FLANGE MOUNT TERMINATION – P/N: RPA0515T0050JNBK

#### ELECTRICAL SPECIFICATIONS

**Nominal Impedance:** 50 Ω ±5% standard  
(contact factory for custom values)

**Power:** 60 Watts

**Frequency:** DC to 6.0 GHz

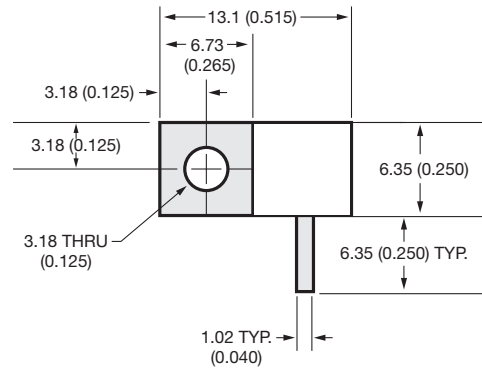
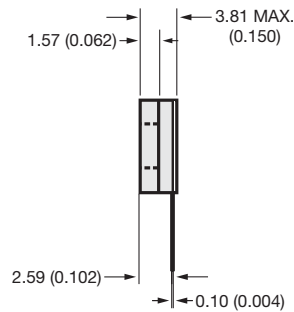
**VSWR:** 1.20:1 @ 4 GHz, 1.30:1 @ 6 GHz

**Operating Temperature Range:** -55°C to +150°C

**Temperature Coefficient:** <150 ppm/°C

**Tabs:** Silver

**LRoHS Compliant**



mm (inches)

### FLANGE MOUNT TERMINATION – P/N: RPA0516T0050JNBK

#### ELECTRICAL SPECIFICATIONS

**Nominal Impedance:** 50 Ω ±5% standard  
(contact factory for custom values)

**Power:** 60 Watts

**Frequency:** DC to 6 GHz

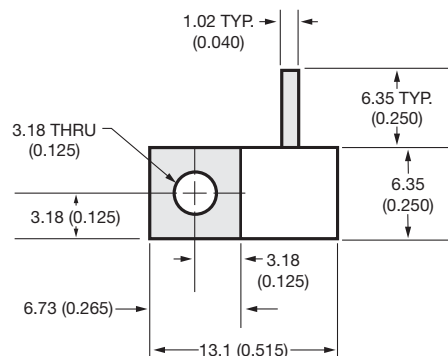
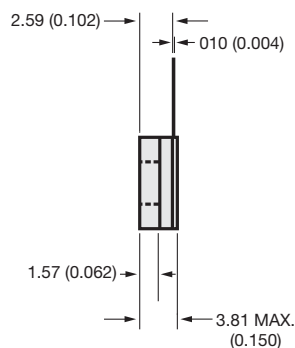
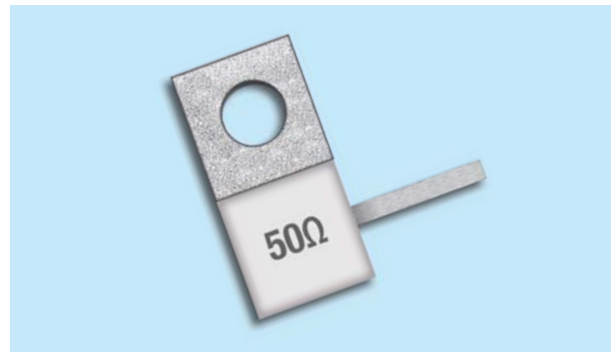
**VSWR:** 1.20:1 @ 4 GHz, 1.30:1 @ 6 GHz

**Operating Temperature Range:** -55°C to +150°C

**Temperature Coefficient:** <150 ppm/°C

**Tabs:** Silver

**RoHS Compliant**



mm (inches)

For Part Number Code, see page 14.

## Terminations

### FLANGE MOUNT TERMINATION – P/N: RPA0517T0050JNBK

#### ELECTRICAL SPECIFICATIONS

**Nominal Impedance:**  $50 \Omega \pm 5\%$  standard  
(contact factory for custom values)

**Power:** 60 Watts

**Frequency:** DC to 6 GHz

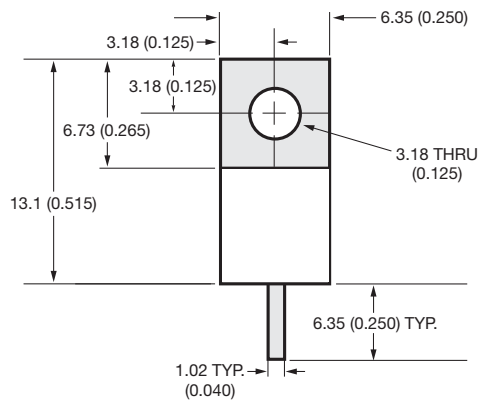
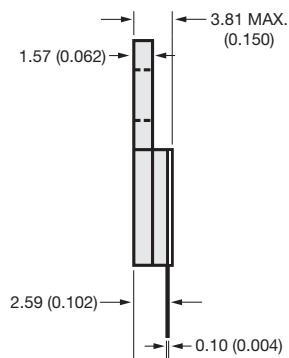
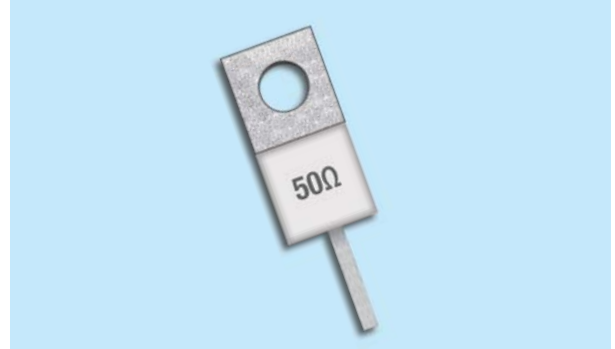
**VSWR:** 1.20:1 @ 4 GHz, 1.30:1 @ 6 GHz

**Operating Temperature Range:**  $-55^{\circ}\text{C}$  to  $+150^{\circ}\text{C}$

**Temperature Coefficient:**  $<150 \text{ ppm}/^{\circ}\text{C}$

**Tabs:** Silver

**RoHS Compliant**



mm (inches)

### FLANGE MOUNT TERMINATION – P/N: RPA0560T0050JNBK

#### ELECTRICAL SPECIFICATIONS

**Nominal Impedance:**  $50 \Omega \pm 5\%$  standard  
(contact factory for custom values)

**Power:** 75 Watts

**Frequency:** DC to 4 GHz

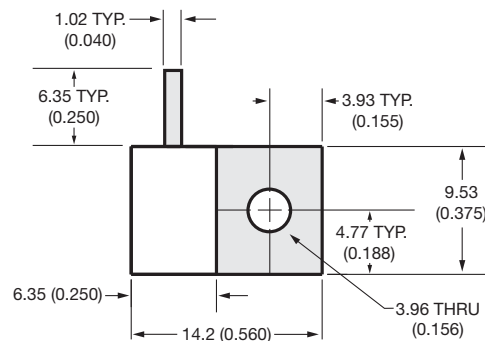
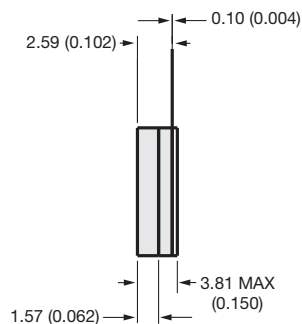
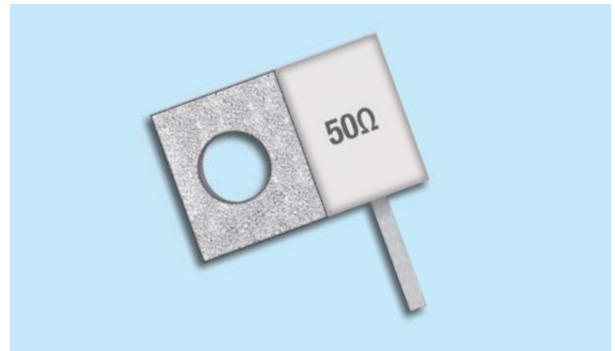
**VSWR:** 1.25:1

**Typical Operating Temperature Range:**  $-55^{\circ}\text{C}$  to  $+150^{\circ}\text{C}$

**Temperature Coefficient:**  $<150 \text{ ppm}/^{\circ}\text{C}$

**Tabs:** Silver

**RoHS Compliant**



mm (inches)

For Part Number Code, see page 14.

## Terminations

### FLANGE MOUNT TERMINATION – P/N: RPA0561T0050JNBK

#### ELECTRICAL SPECIFICATIONS

**Nominal Impedance:** 50 Ω ±5% standard  
(contact factory for custom values)

**Power:** 75 Watts

**Frequency:** DC to 4.0 GHz

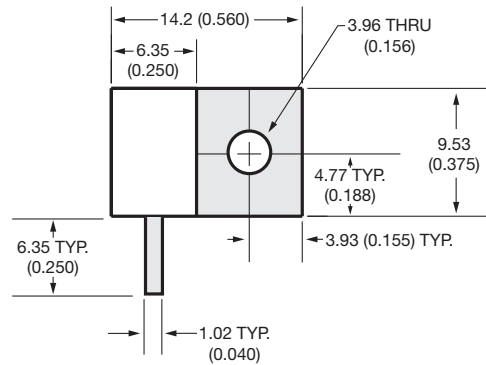
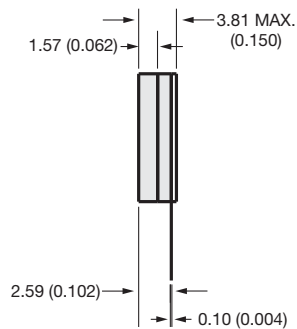
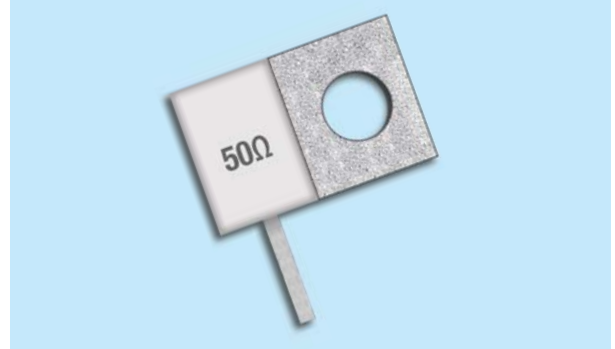
**VSWR:** 1.25:1

**Typical Operating Temperature Range:** -55°C to +150°C

**Temperature Coefficient:** <150 ppm/°C

**Tabs:** Silver

**RoHS Compliant**



mm (inches)

### FLANGE MOUNT TERMINATION – P/N: RPA0800T0050JNBK

#### ELECTRICAL SPECIFICATIONS

**Nominal Impedance:** 50 Ω ±5% standard  
(contact factory for custom values)

**Power:** 50 Watts

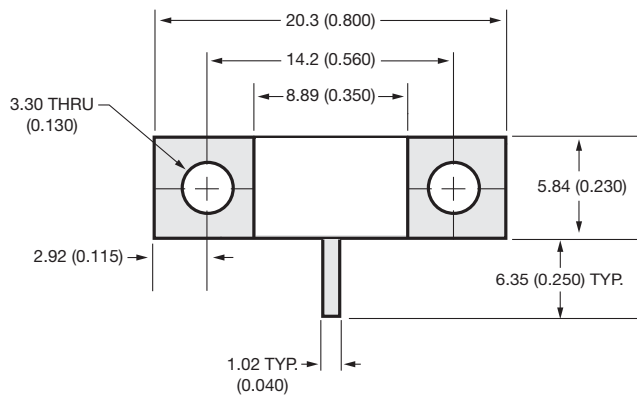
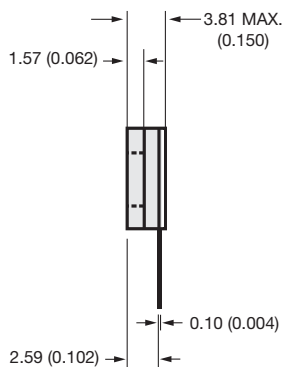
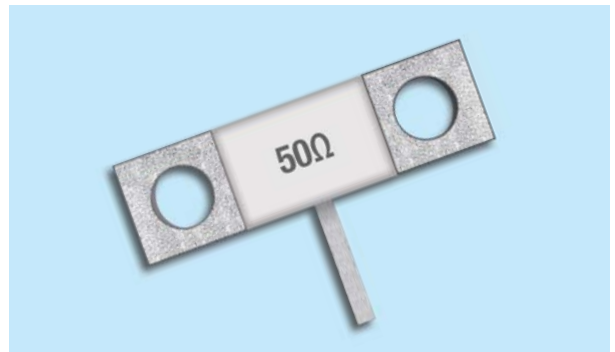
**Frequency:** DC to 6 GHz

**VSWR:** 1.10:1 @ 4.5 GHz, 1.18:1 @ 6.0GHz

**Operating Temperature Range:** -55°C to +150°C

**Tabs:** Silver

**RoHS Compliant**



mm (inches)

For Part Number Code, see page 14.

## Terminations

### FLANGE MOUNT TERMINATION – P/N: RPA0870T0050JNBK ELECTRICAL SPECIFICATIONS

**Nominal Impedance:** 50 Ω ±5% standard  
(contact factory for custom values)

**Power:** 100 Watts

**Frequency:** DC to 4.0 GHz

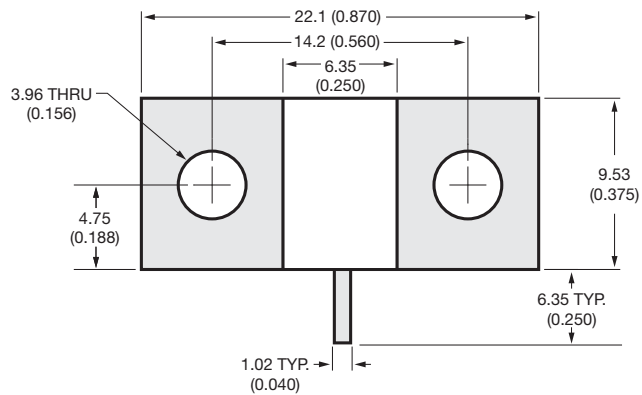
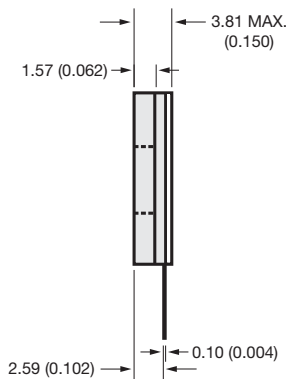
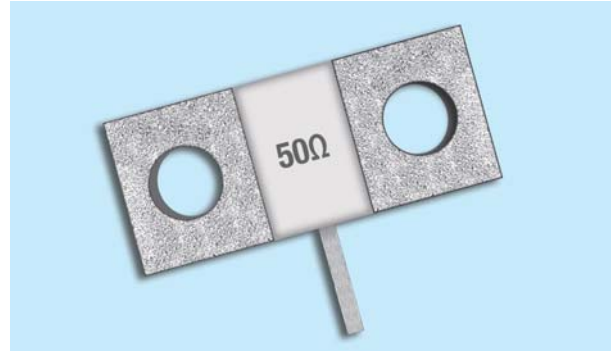
**VSWR:** 1.20:1

**Typical Operating Temperature Range:** -55°C to +150°C

**Temperature Coefficient:** <150 ppm/°C

**Tabs:** Silver

**RoHS Compliant**



mm (inches)

### FLANGE MOUNT TERMINATION – P/N: RPA0300T0050JNBK ELECTRICAL SPECIFICATIONS

**Nominal Impedance:** 50 Ω ±5% standard  
(contact factory for custom values)

**Power:** 20 Watts

**Frequency:** DC to 6 GHz

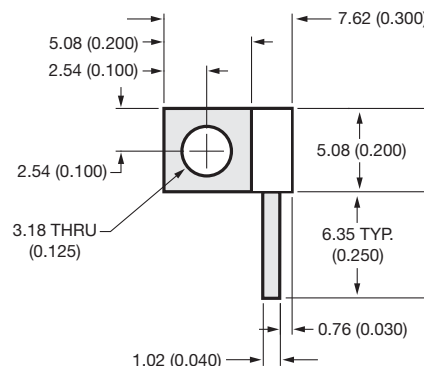
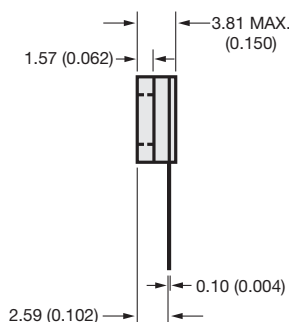
**VSWR:** 1.15:1 @ 4 GHz, 1.25:1 @ 6 GHz,

**Operating Temperature Range:** -55°C to +150°C

**Temperature Coefficient:** <150 ppm/°C

**Tabs:** Silver

**RoHS Compliant**



mm (inches)

For Part Number Code, see page 14.

## Terminations

### FLANGE MOUNT TERMINATION – P/N: RPA0301T0050JNBK ELECTRICAL SPECIFICATIONS

**Nominal Impedance:** 50  $\Omega$   $\pm$ 5% standard  
(contact factory for custom values)

**Power:** 20 Watts

**Frequency:** DC to 6 GHz

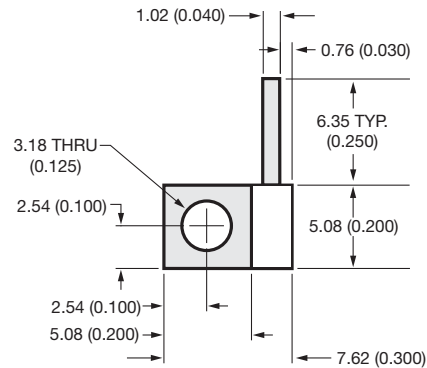
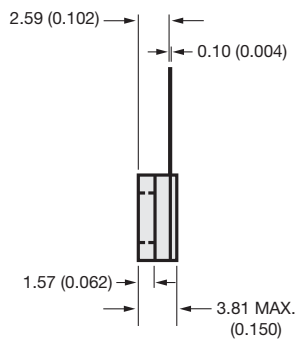
**VSWR:** 1.15:1 @ 4 GHz, 1.25:1 @ 6 GHz,

**Operating Temperature Range:** -55°C to +150°C

**Temperature Coefficient:** <150 ppm/°C

**Tabs:** Silver

**RoHS Compliant**



mm (inches)

## X-ON Electronics

Largest Supplier of Electrical and Electronic Components

*Click to view similar products for [Thin Film Resistors - Through Hole](#) category:*

*Click to view products by [Kyocera AVX](#) manufacturer:*

Other Similar products are found below :

[RESISTOR-0125-A](#) [CF18JT47K0](#) [MRS16000C8201FCT00](#) [RC14JT39K0](#) [TNP10SC330RFE](#) [TNP10SC10K0FE](#) [TNP10SAR200JE](#)  
[MRS16000C2703FCT00](#) [MRS16000C4703FCT00](#) [MRS16000C7501FCT00](#) [MRS16000C8209FCT00](#) [TN15P7R50FE](#) [1-1879026-5](#) [1-1879026-8](#) [1-1879027-2](#) [1-1879027-6](#) [RPA0302T0050JNBK](#) [1622602-1](#) [1622600-1](#) [1622321-1](#) [1622796-6](#) [698-3-R27KFLF](#) [CNS020-500KP](#) [MRS16000C1000FC100](#) [MRS16000C1000FCT00](#) [MRS16000C1001FC100](#) [MRS16000C1001FCT00](#) [MRS16000C1002FC100](#)  
[MRS16000C1002FCT00](#) [MRS16000C1002FRP00](#) [MRS16000C1003FC100](#) [MRS16000C1003FCT00](#) [MRS16000C1003FRP00](#)  
[MRS16000C1502FRP00](#) [MRS16000C2201FCT00](#) [MRS16000C2202FRP00](#) [MRS16000C2701FRP00](#) [MRS16000C3300FRP00](#)  
[MRS16000C2002FCT00](#) [MRS16000C2001FCT00](#) [MRS16000C3302FRP00](#) [MRS16000C1201FRP00](#) [MRS16000C6812FRP00](#)  
[MRS16000C4701FC100](#) [MRS16000C4701FCT00](#) [MRS16000C4701FRP00](#) [MRS16000C4702FRP00](#) [MRS16000C3300FCT00](#)  
[MRS16000C2201FRP00](#) [MRS16000C2202FC100](#)