



3.2x1.5mm for Consumer/ Mobile Equipment/ Automotive



AEC-Q200 RoHS Compliant

Features

- Small, Low Profile
- Ceramic Package
- Reflow Compatible

Applications

- Consumer/ Mobile Equipment
- Car navigation system
- Car audio system

How to Order

ST3215SB 32768 P W
 ① ② ③ ④ ⑤ ⑥ ⑦

- ① Series
 ② Frequency 32.768kHz
 ③ Load Capacitance
 ④ Frequency Tolerance

H5	12.5 pF	Std.	F	$\pm 10 \times 10^{-6}$
E0	9.0 pF		H	$\pm 20 \times 10^{-6}$
C0	7.0 pF			
B0	6.0 pF			
A0	5.0 pF			
Z0	4.0 pF			

- ⑤ Operating Temp. Range
 P -40 to +85°C
 W $\pm 200 \times 10^{-6}$
 ⑥ Frequency Temp. Stability

- ⑦ Individual Specification

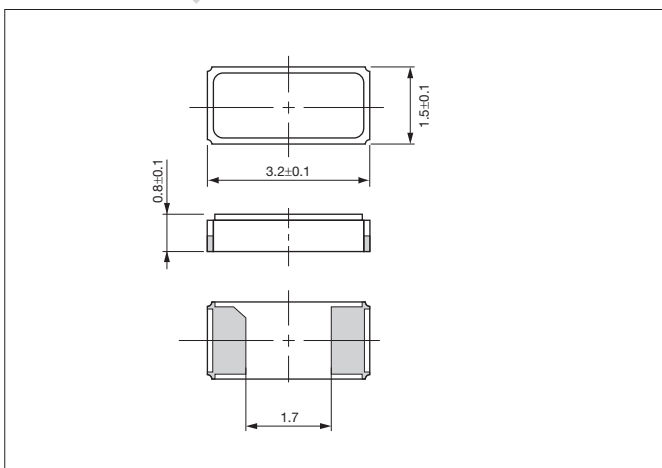
Packaging (Tape & Reel 3000/ 10000 pcs./ reel)

Specifications

Item	Symbol	Specification	Units	Remarks
Nominal Frequency	f _{nom}	32.768	kHz	
Frequency Tolerance	f _{tol}	$\pm 10, \pm 20$	$\times 10^{-6}$	25°C ± 3 °C
Turnover Temperature	T _i	+25 ± 5	°C	
Parabolic Coefficient	B	-0.04 max.	$\times 10^{-6} / ^\circ\text{C}^2$	
Motional Resistance	R ₁	70 k max.	ohm	
Motional Capacitance	C ₁	3.7 typ.	fF	
Shunt Capacitance	C ₀	0.9 typ.	pF	
Load Capacitance	CL	4.0/ 5.0/ 6.0/ 7.0/ 9.0/ 12.5	pF	Please contact us for other Load Capacitance.
Drive Level	DL	0.1	μW	0.5 max.
Operating Temp. Range	T _{use}	-40 to +85	°C	
Storage Temp. Range	T _{stg}	-55 to +85	°C	
Frequency Aging	f _{age}	± 3	$\times 10^{-6}$	

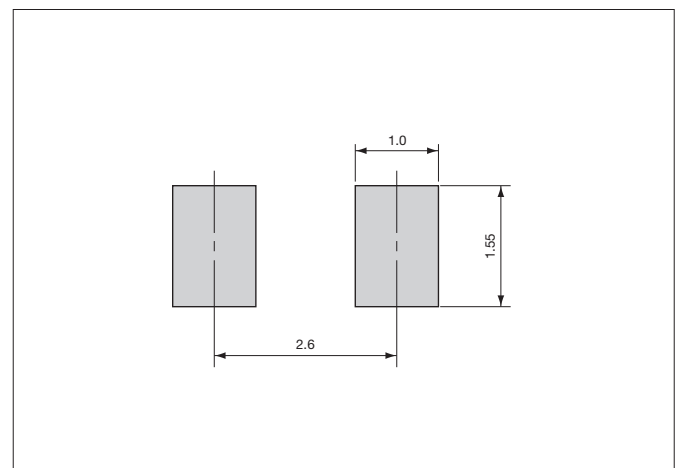
Dimensions

(Unit: mm)



Recommended Land Pattern

(Unit: mm)



X-ON Electronics

Largest Supplier of Electrical and Electronic Components

Click to view similar products for [Crystals category](#):

Click to view products by [Kyocera AVX manufacturer](#):

Other Similar products are found below :

[MC405 32.0000K-R3:PURE SN](#) [7A-40.000MAAE-T](#) [MP1-8.0](#) [99-BU](#) [9B-15.360MBBK-B](#) [PTX-A2JM-10.000M](#) [9C-7.680MBBK-T](#) [H10S-12.000-18-EXT-TR](#) [AB-11.0592MHZ](#) [R38-32.768-12.5-5PPM-NPB](#) [BTD1062E05A-513](#) [C711980XFAS30XX](#) [21U15A-21.4MHZ](#) [RTX-781DF1-S-20.950](#) [LFX TAL066198Cutt](#) [9C-14.31818MBBK-T](#) [A-11.000MHZ-27](#) [SPT2A-.032768B](#) [SPT2A.032768G](#) [SSPT7F-9PF20-R](#) [FX325BS-38.88EEM1201](#) [MP-1-25.000MHZ-3L](#) [MP-1-6.000MHZ](#) [LFX TAL065253Cutt](#) [LFX TAL066431Cutt](#) [XT9S20ANA14M7456](#) [XT9SNLANA16M](#) [646G-24-2](#) [7A-24.576MBBK-T](#) [7B-30.000MBBK-T](#) [7A-14.31818MBBK-T](#) [6526-202-1501](#) [BTJ120E02C](#) [SG636PCE-20.000MC](#) [ABM3B-10.000MHZ-K-T](#) [3404](#) [CM315D32768EZFT](#) [C1E-24.000-7-2020-R](#) [C1E-19.200-12-1530-X-R](#) [C1E-16.000-12-1530-X-R](#) [ABM11-16.000MHZ-9-B1U-T](#) [FL5000014](#) [EUCA18-3.1872M](#) [425F35E027M0000](#) [17196](#) [MS3V-T1R-32.768kHz-7pF-20PPM-TA-QC-Au](#) [VXM7-1C1-16M000](#) [MS1V-T1K-32.768kHz-10pF-20PPM-TA-QC-Au](#) [MS3V-T1R-32.768kHz-9pF-20PPM-TA-QC-Au](#) [ECS-80-18-30-JGN-TR](#)