



RoHS Compliant

**Features**

- Small, Low Profile
- Ceramic Package
- Pb Free
- Reflow Compatible

**Applications**

- Consumer/ Mobile Equipment

**How to Order**

ST3215SB 32768 □□ □ □ □ □ □ □

- ① Series
- ② Frequency 32.768kHz
- ③ Load Capacitance **H5** 12.5 pF
- ④ Frequency Stability **H** ±20×10<sup>-6</sup>
- ⑤ Operating Temp. Range **P** -40 to +85°C
- ⑥ Frequency Temp. Stability **W** ±200×10<sup>-6</sup>
- ⑦ Individual Specification

Packaging (Tape & Reel 3000/ 10000 pcs./ reel)

Typical Part Numbers

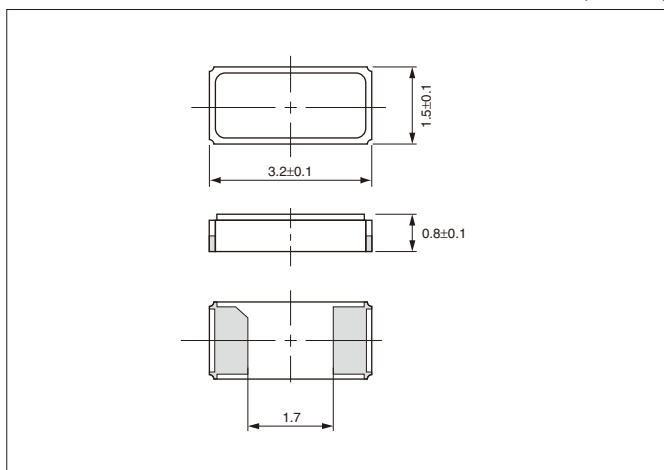
Load Capacitance	Part Numbers
12.5	ST3215SB32768H5HPWAA
9.0	ST3215SB32768E0HPWBB
7.0	ST3215SB32768C0HPWBB

**Specifications**

Item	Symbol	Specification	Units	Remarks
Nominal Frequency	f <sub>nom</sub>	32.768	kHz	
Frequency Tolerance	f <sub>tol</sub>	±10, ±20	×10 <sup>-6</sup>	25°C±3°C
Turnover Temperature	T <sub>i</sub>	+25±5	°C	
Parabolic Coefficient	B	-0.04 max.	×10 <sup>-6</sup> / °C <sup>2</sup>	
Motional Resistance	R <sub>1</sub>	70 max.	k-ohm	
Motional Capacitance	C <sub>1</sub>	3.7 typ.	fF	
Shunt Capacitance	C <sub>0</sub>	0.9 typ.	pF	
Load Capacitance	CL	12.5/ 9.0/ 7.0	pF	Please contact us
Drive Level	DL	0.1	μW	
Operating Temp. Range	T <sub>use</sub>	-40 to +85	°C	
Storage Temp. Range	T <sub>stg</sub>	-55 to +125	°C	
Frequency Aging	f <sub>age</sub>	±3	×10 <sup>-6</sup>	

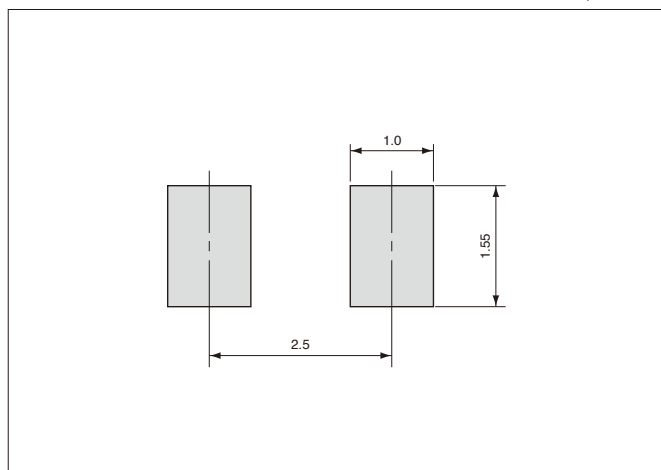
**Dimensions**

(Unit: mm)



**Recommended Land Pattern**

(Unit: mm)



## X-ON Electronics

Largest Supplier of Electrical and Electronic Components

*Click to view similar products for [Crystals](#) category:*

*Click to view products by [Kyocera AVX](#) manufacturer:*

Other Similar products are found below :

[MC405 32.0000K-R3:PURE SN](#) [7A-40.000MAAE-T](#) [MP1-8.0 99-BU](#) [9B-15.360MBBK-B](#) [PTX-A2JM-10.000M](#) [9C-7.680MBBK-T](#) [H10S-12.000-18-EXT-TR](#) [R38-32.768-12.5-5PPM-NPB](#) [BTD1062E05A-513](#) [21U15A-21.4MHZ](#) [RTX-781DF1-S-20.950](#) [LFXTAL066198Cutt](#) [9C-14.31818MBBK-T](#) [A-11.000MHZ-27](#) [SPT2A-.032768B](#) [SPT2A.032768G](#) [SSPT7F-9PF20-R](#) [FX325BS-38.88EEM1201](#) [MP-1-25.000MHZ-3L](#) [MP-1-6.000MHZ](#) [LFXTAL065253Cutt](#) [LFXTAL066431Cutt](#) [XT9S20ANA14M7456](#) [XT9SNLANA16M](#) [646G-24-2](#) [7A-24.576MBBK-T](#) [7B-30.000MBBK-T](#) [7A-14.31818MBBK-T](#) [6526-202-1501](#) [BTJ120E02C](#) [SG636PCE-20.000MC](#) [3404](#) [CM315D32768EZFT](#) [C1E-24.000-7-2020-R](#) [C1E-19.200-12-1530-X-R](#) [C1E-16.000-12-1530-X-R](#) [ABM11-16.000MHZ-9-B1U-T](#) [FL5000014](#) [EUCA18-3.1872M](#) [425F35E027M0000](#) [17196](#) [MS3V-T1R-32.768kHz-7pF-20PPM-TA-QC-Au](#) [VXM7-1C1-16M000](#) [MS1V-T1K-32.768kHz-10pF-20PPM-TA-QC-Au](#) [MS3V-T1R-32.768kHz-9pF-20PPM-TA-QC-Au](#) [ECS-80-18-30-JGN-TR](#) [17000](#) [17301](#) [16875](#)